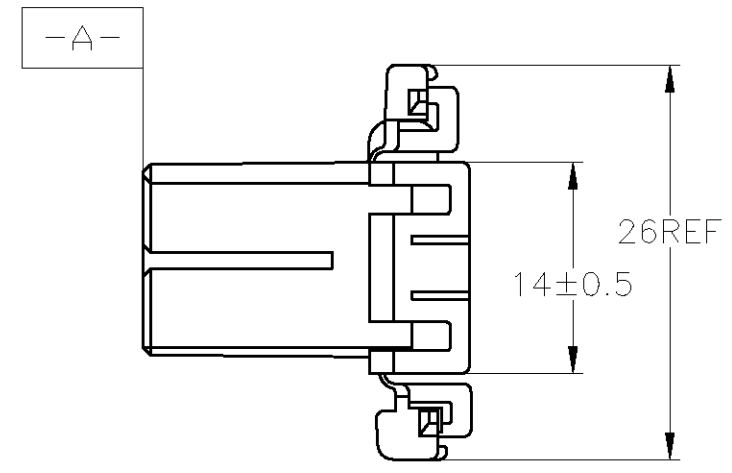
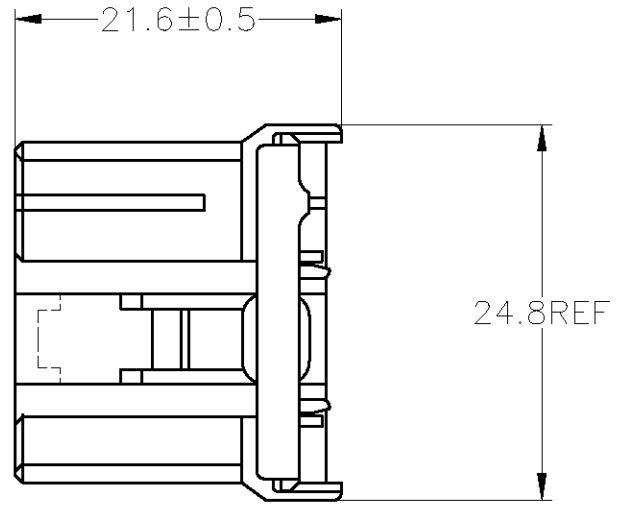
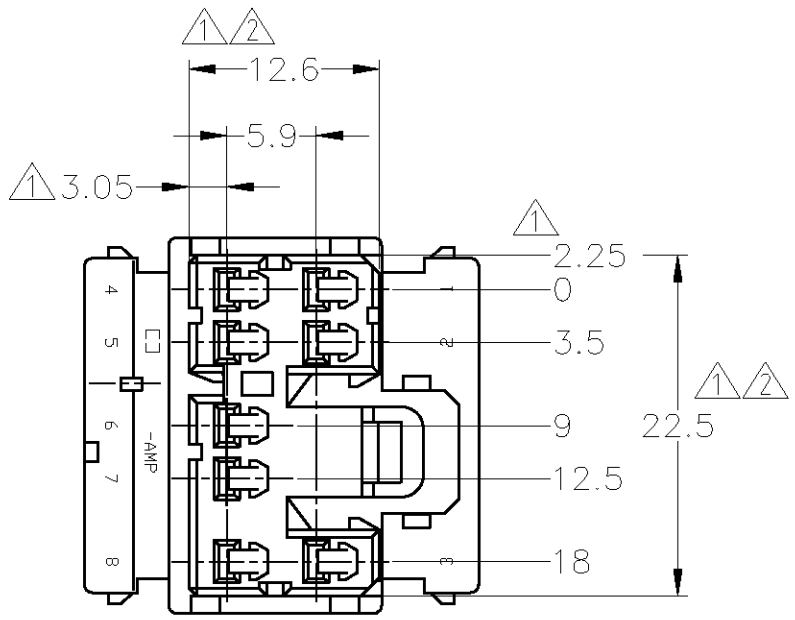


THIS DRAWING IS UNPUBLISHED. RELEASED FOR PUBLICATION
 © COPYRIGHT - By - ALL RIGHTS RESERVED.

LOC	DIST	REVISIONS					
J	-	P	LTR	DESCRIPTION	DATE	DWN	APVD
			E4	REVISED	ECR-12-021403	13DEC2012	TS KB



- ▲ MUST BE KEPT BETWEEN [-A-] AND 2
 - ▲ TO BE MATED WITH THE CAP HOUSING SMOOTHLY
 - 3. APPLIED RECEPTACLE CONTACT PARTS NUMBER, 173630, 173631
 - 4. PRODUCT SPEC. ; 108-5216,108-5264
-
- ▲ [-A-] 面より2mmの範囲で測定
 - ▲ 相手ハウジングと所定の機能を満足して嵌合できること
 - 3. 内装するリセプタクルコンタクト型番173630,173631
 - 4. 製品規格 ; 108-5216,108-5264

OBSOLETE

V2	NATURAL 自然色	8POS. PLUG HOUSING 8極 プラグハウジング	1-173850-1
-	BLUE 青		173850-5
HB	GREEN 緑		173850-4
HB	BLACK 黒		173850-2
HB	NATURAL 自然色	8POS. PLUG HOUSING 8極 プラグハウジング	173850-1
難燃性 (FLAMEABILITY)		色 (COLOR)	名称 (NAME)
			型番 (PARTS NUMBER)

THIS DRAWING IS A CONTROLLED DOCUMENT.

DIMENSIONS: 単位: 耗 mm	TOLERANCES UNLESS OTHERWISE SPECIFIED: 一般公差
	0 PLC ± - 1 PLC ± - 2 PLC ± - 3 PLC ± - 4 PLC ± - ANGLES ± -
MATERIAL 材料	FINISH 仕上
PBT	-

TOLERANCES UNLESS OTHERWISE SPECIFIED: 一般公差	
10 _±	: ±0.2
30 _±	> 10 : ±0.25
100 _±	> 30 : ±0.3
ANGLE : ±3°	

DWN M.SUGAWARA 19JUL06	STE TE Connectivity		NAME 名称
CHK T.SHINOHARA 19JUL06			
APVD K.BUTSUI 19JUL06	070 SERIES MULTI-LOCK 8POSITION PLUG HOUSING		
PRODUCT SPEC 製品規格 SEE NOTE 4	SIZE	CAGE CODE	DRAWING NO 番号
APPLICATION SPEC 取付適用規格	A3	00779	C-173850
WEIGHT -	RESTRICTED TO		
CUSTOMER DRAWING		SCALE 尺度 2:1	SHEET 1 OF 1
		REV E4	

单击下面可查看定价，库存，交付和生命周期等信息

[>>TE Connectivity\(泰科\)](#)