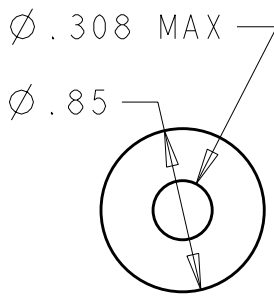
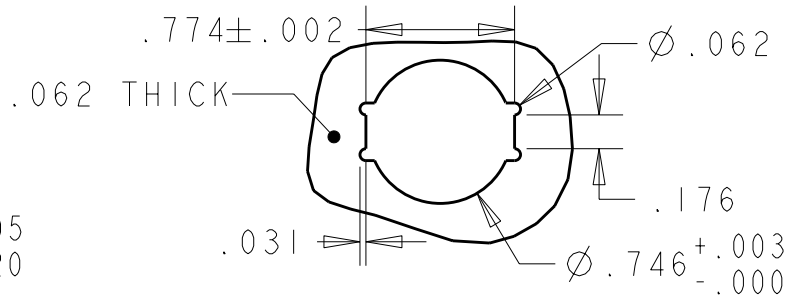
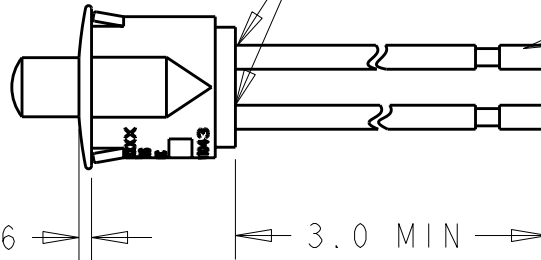


LOC	DIST	REVISIONS					
		P	LTR	DESCRIPTION	DATE	DWN	APVD
-	-		A4	REVISED PER ECO-10-006305	25MAR2010	HMR	NE



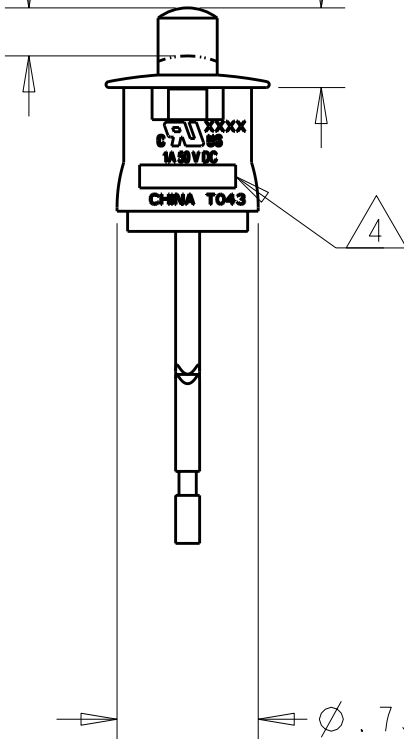
EPOXY SEAL BASE AROUND WIRES
 .25 ± .05 STRIP, LEAVE INSULATION AT ENDS OF WIRE



RECOMMENDED PANEL CUTOUT
 SCALE 1:1

STROKE
 .250^{+.040}_{-.000}

.415^{+.005}_{-.020}



NOTES:

- WIRE: 18 AWG, TINNED, PVC INSULATED
 W/ 105°C AND 600 V RATING (UL 1015).
 CONTACT MATERIAL: COPPER SILVER PLATED.
 CIRCUIT: 1 PST NORMALLY CLOSED.
 OPERATING (BREAK CURRENT) FORCE: 1.5 LB MAX.
 END OF STROKE FORCE = 2.5 LB MAX.
 - ELECTRICAL SPECIFICATIONS:
 CURRENT: 1 A, 50 V DC.
 DIELECTRIC: 1000 V RMS MIN.
 INSULATION RESISTANCE: 100 MΩ MIN.
 CONTACT RESISTANCE: 100 mΩ MAX.
 CYCLE LIFE: 6000 OPERATIONS MIN.
 TEMPERATURE RISE: <30°C AT 6000 OPERATIONS.
 - ENVIRONMENTAL SPECIFICATIONS:
 OPERATING AND STORAGE TEMPERATURE: -18 TO 65°C.
- 4 TYCO ELECTRONICS LOGO PER TEC 202-36 LOCATED APPROXIMATELY AS SHOWN.

Ø .735 ± .010

1571485-1 PART NUMBER

DIMENSIONS: INCHES	DWN J.C. YOSLER	10NOV2003	MATERIAL	-	FINISH	-
	CHK J.C. YOSLER	10NOV2003	Tyco Electronics Harrisburg, PA 17105-3608			
TOLERANCES UNLESS OTHERWISE SPECIFIED:	APVD M. WILBOURN	07NOV2006				
0 PLC ±	PRODUCT SPEC	-	NAME PUSH BUTTON SWITCH, NORMALLY CLOSED			
1 PLC ±.1	APPLICATION SPEC	-				
2 PLC ±.01	WEIGHT	-	SIZE	CAGE CODE	DRAWING NO	RESTRICTED TO
3 PLC ±.005			A4	00779	1571485	-
4 PLC ±			CUSTOMER DRAWING			
ANGLES ±30'			SCALE	1:1	SHEET	OF
						REV A4

单击下面可查看定价，库存，交付和生命周期等信息

[>>TE Connectivity\(泰科\)](#)