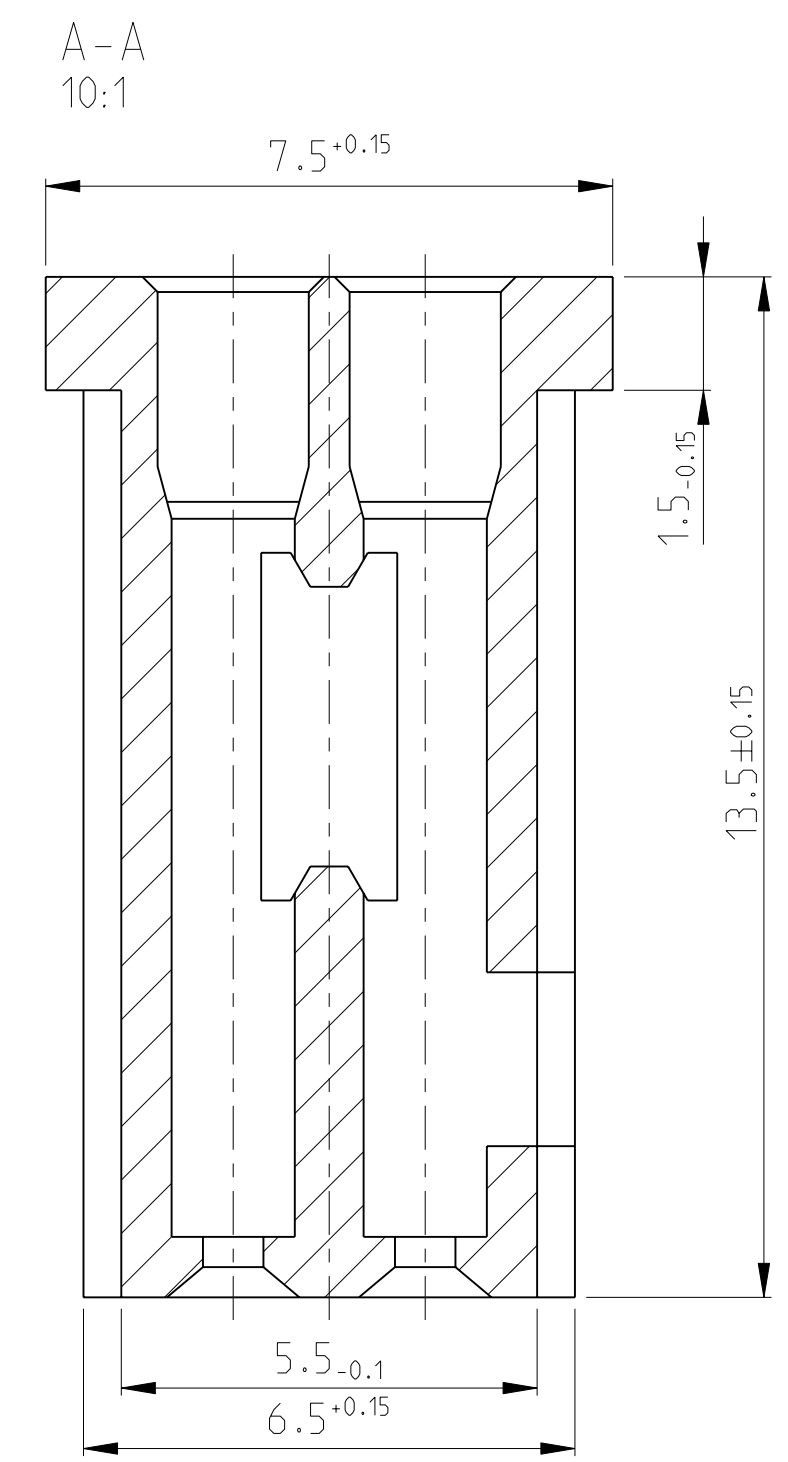
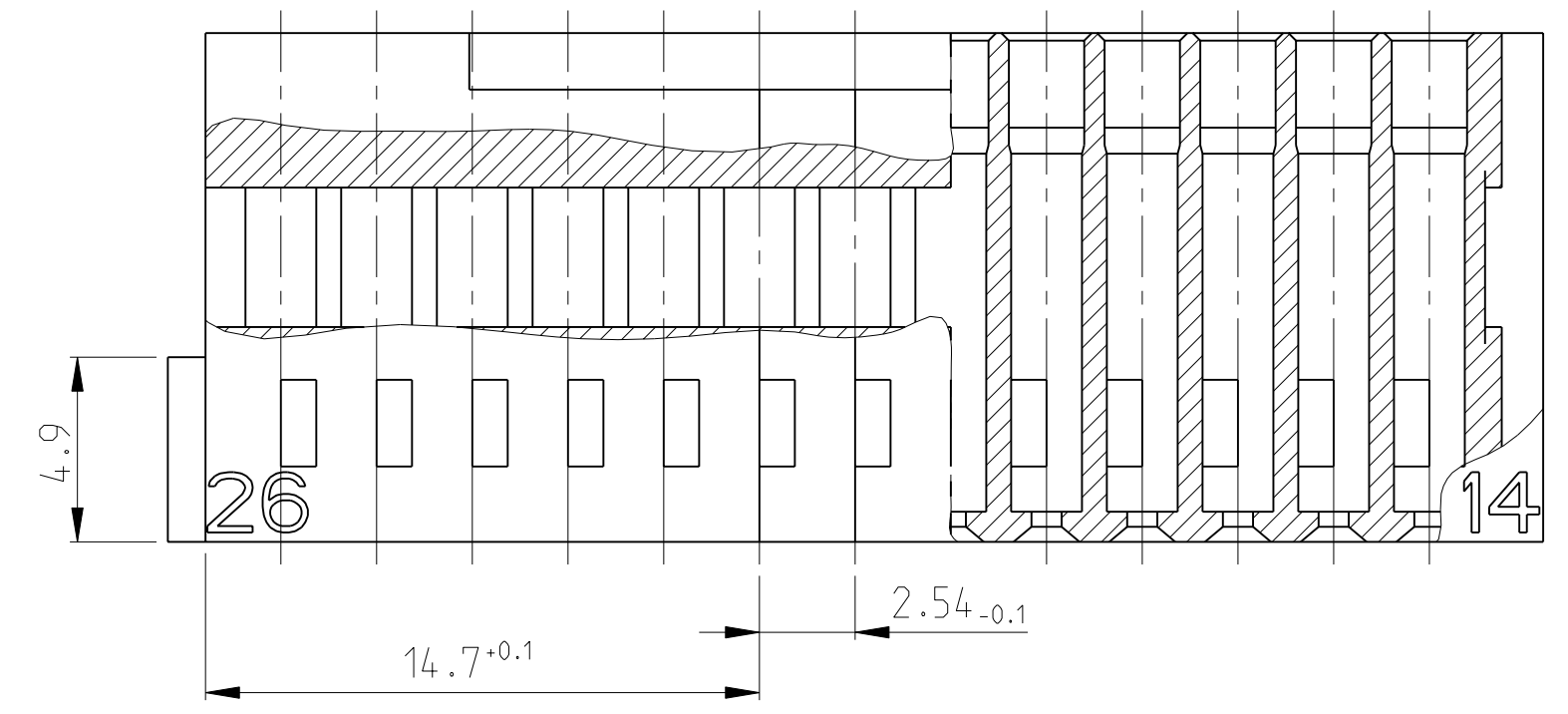
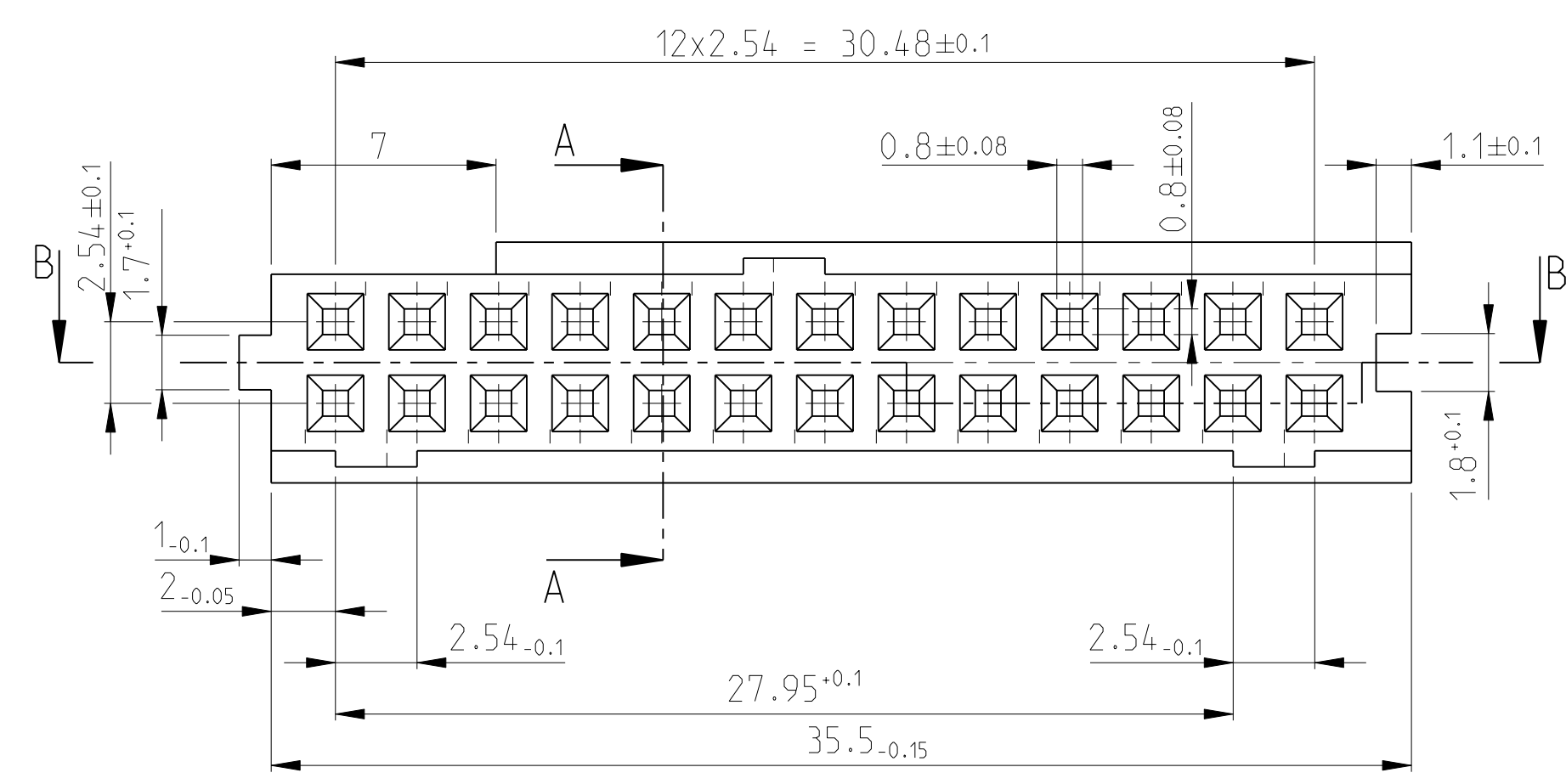
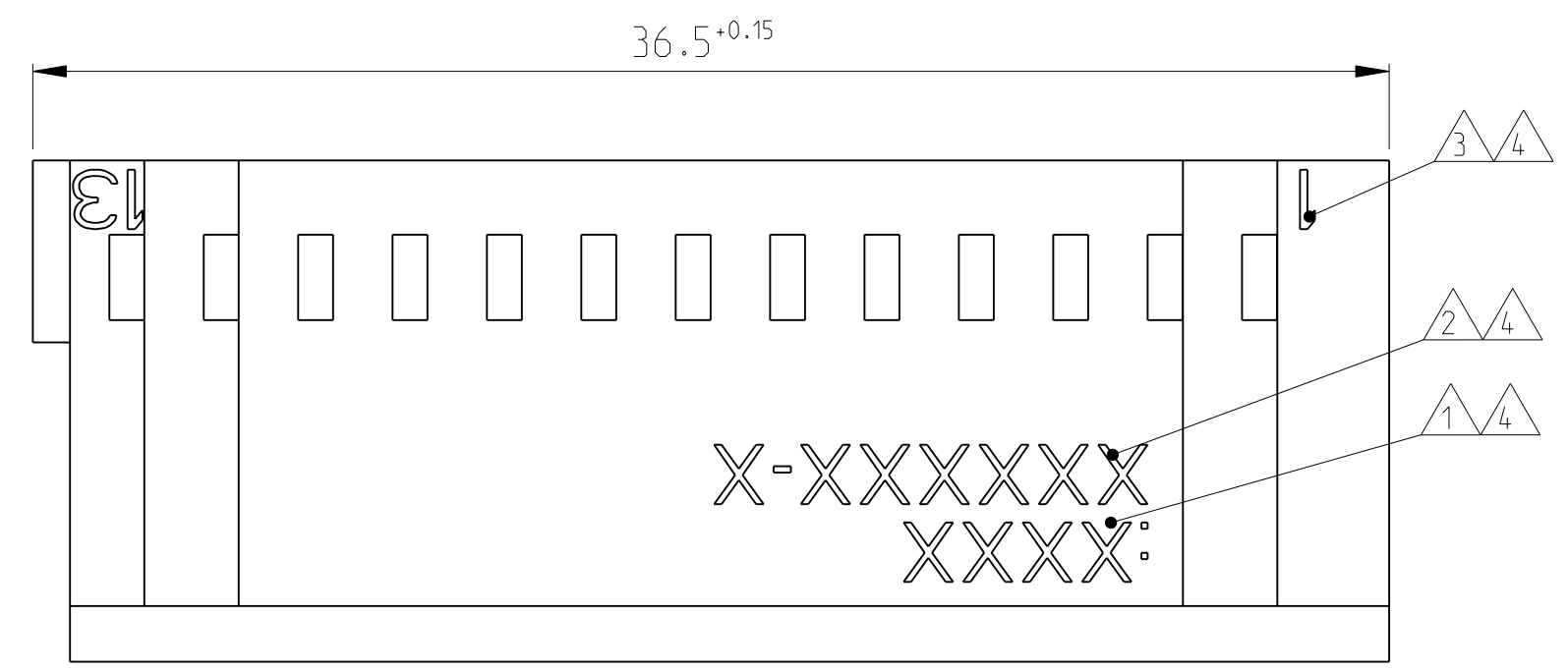


THIS DRAWING IS UNPUBLISHED. RELEASED FOR PUBLICATION 2007
 © COPYRIGHT 2007 BY TYCO ELECTRONICS CORPORATION. ALL RIGHTS RESERVED.

LOC	DIST	REVISIONS			
P	LTR	DESCRIPTION	DATE	DWN	APVD
C		Bemaßung korrigiert	16.09.86	Thone.	
D		Maß 4.9 war 5.2	18.09.86	Weitzel	
E		Zeichnung neu erstellt	16.09.93	Liebing	
E1		NEW DRAWING CREATED	08.09.07	Haas	Stre.



Bemerkungen
NOTES

- ① Laenderkennung und Firmenlogo
LOCATION CODE AND ARTWORK LOGO
- ② Tyco Electronics Teilenummer
TYCO ELECTRONICS PART NUMBER
- ③ Kontaktkammer Markierung
CONTACT CAVITY NUMBER
- ④ Mittelschrift 1.6 DIN 1451, vertieft/erhaben
CHARACTERS 1.6 ACC.TO DIN 1451, SUNK/RAISED

927 690-1 wie gezeichnet; Teilerevision: E
AS SHOWN; PART REVISION: E

THIS DRAWING IS A CONTROLLED DOCUMENT FOR TYCO ELECTRONICS CORPORATION IT IS SUBJECT TO CHANGE AND THE CONTROLLING ENGINEERING ORGANIZATION SHOULD BE CONTACTED FOR THE LATEST REVISION.		DWN Liebing,R.	Sep93	Tyco Electronics 64625 Bensheim (Germany)	
DIMENSIONS: mm		CHK -	APVD -	NAME 2x13 POS. MODU IV HOUSING DOUBLE ROW 2x13 pol. MODU IV Gehaeuse, zweireihig	
TOLERANCES UNLESS OTHERWISE SPECIFIED: ±0.2 mm		PRODUCT SPEC -	APPLICATION SPEC -	SIZE A2	CAGE CODE 00779
MATERIAL Pa6.6 13GF Schwarz BLACK		WEIGHT -	DRAWING NO 927690	RESTRICTED TO -	
CUSTOMER DRAWING			SCALE 5:1	SHEET 1 OF 1	REV E1

单击下面可查看定价，库存，交付和生命周期等信息

[>>TE Connectivity\(泰科\)](#)