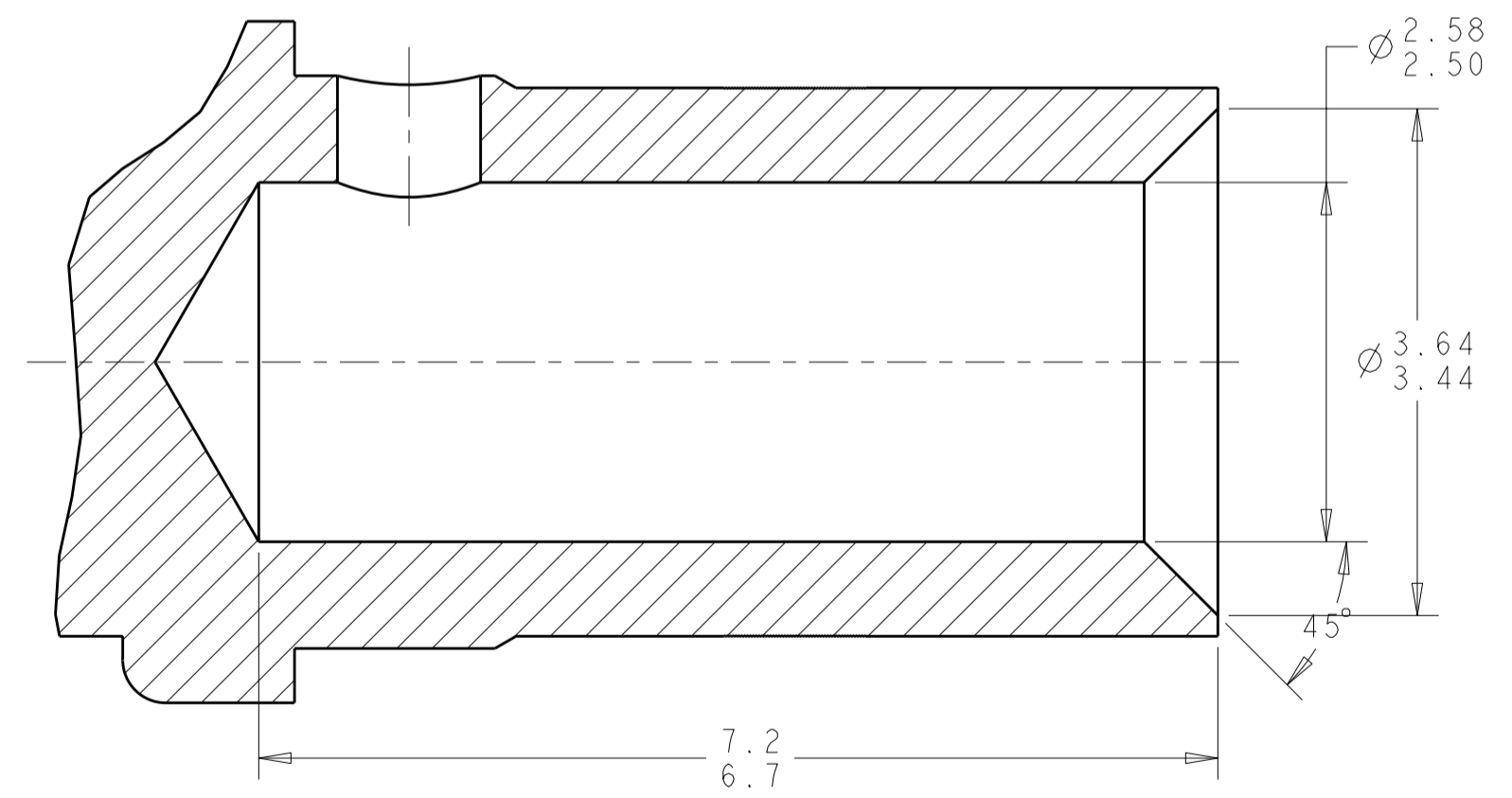
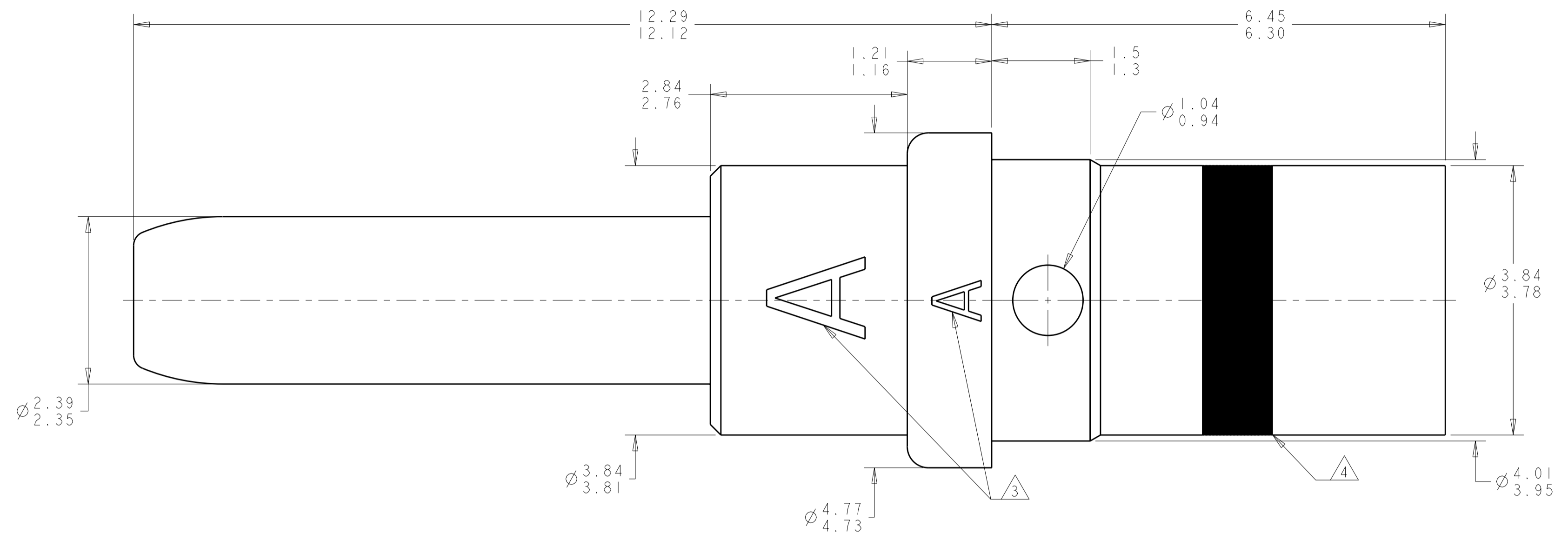


THIS DRAWING IS UNPUBLISHED. RELEASED FOR PUBLICATION 20
 © COPYRIGHT 20 BY TYCO ELECTRONICS CORPORATION. ALL RIGHTS RESERVED.

LOC	DIST	REVISIONS			
P	LTR	DESCRIPTION	DATE	DWN	APVD
DF	A5				
1		PROPOSED	28FEB2005	BW	JPM
2		REVISED	05AUG2010	BW	JM



- 1 COPPER ALLOY C97.
- 2 1.27µm MIN GOLD PER ASTM B488 OVER 2.54µm MIN NICKEL PER QQ-N-290 ON ENTIRE STOCK.
- 3 TWO POSSIBLE LOCATIONS FOR THE LETTER "A" MARKING. OPTIONAL ALTERNATE MARKING: LETTER "S"
- 4 YELLOW COLOR BAND.
- 5. APPLICABLE WIRE SIZE: 12-16 AWG
 WIRE INSULATION DIAMETER: 3.4mm MAX
 INSULATION STRIP LENGTH: 5.75mm-6.25mm
- 6. APPLICATION TOOLING:
 CRIMPING TOOL: TYCO PART NUMBER 601967-1 (M22520/1-01)
 POSITIONER: TYCO PART NUMBER 601967-2 (M22520/1-02)
 SELECTOR POSITION: AWG 12 : 8
 AWG 14 : 7
 AWG 16 : 6
 CONTACT INSERTION/EXTRACTION TOOL: 1738327-1 (M81969/28-02) OR 1-1192028-1 (M81969/14-04)
- 7. THIS PRODUCT IS SOLD BY TYCO ELECTRONICS UNDER A LICENSE FROM RADIALL SA.

1738017-1
 PART NUMBER

THIS PRINT IS
PRELIMINARY
 UNQUALIFIED PRODUCT
 CONTACT PRODUCT ENGINEERING
 BEFORE USING THIS PRINT

THIS DRAWING IS A CONTROLLED DOCUMENT FOR TYCO ELECTRONICS CORPORATION. IT IS SUBJECT TO CHANGE AND THE CONTROLLING ENGINEERING ORGANIZATION SHOULD BE CONTACTED FOR THE LATEST REVISION.		DWN	28FEB2005	Tyco Electronics Harrisburg, PA 17105-3608	
DIMENSIONS:		CHK	28FEB2005		
mm	TOLERANCES UNLESS OTHERWISE SPECIFIED:	APVD	28FEB2005		
0 PLC ± 1 PLC ± 2 PLC ±0.05 3 PLC ± 4 PLC ± ANGLES ± FINISH	0 PLC ± 1 PLC ± 2 PLC ±0.05 3 PLC ± 4 PLC ± ANGLES ± FINISH	PRODUCT SPEC	-		
MATERIAL		APPLICATION SPEC	-	NAME	PIN CONTACT, SIZE 12, GPR
		WEIGHT	-	SIZE	A200779
		CUSTOMER DRAWING		CAGE CODE	C-1738017
				DRAWING NO	
				RESTRICTED TO	-
				SCALE	20:1
				SHEET	1 OF 1
				REV	2

单击下面可查看定价，库存，交付和生命周期等信息

[>>TE Connectivity\(泰科\)](#)