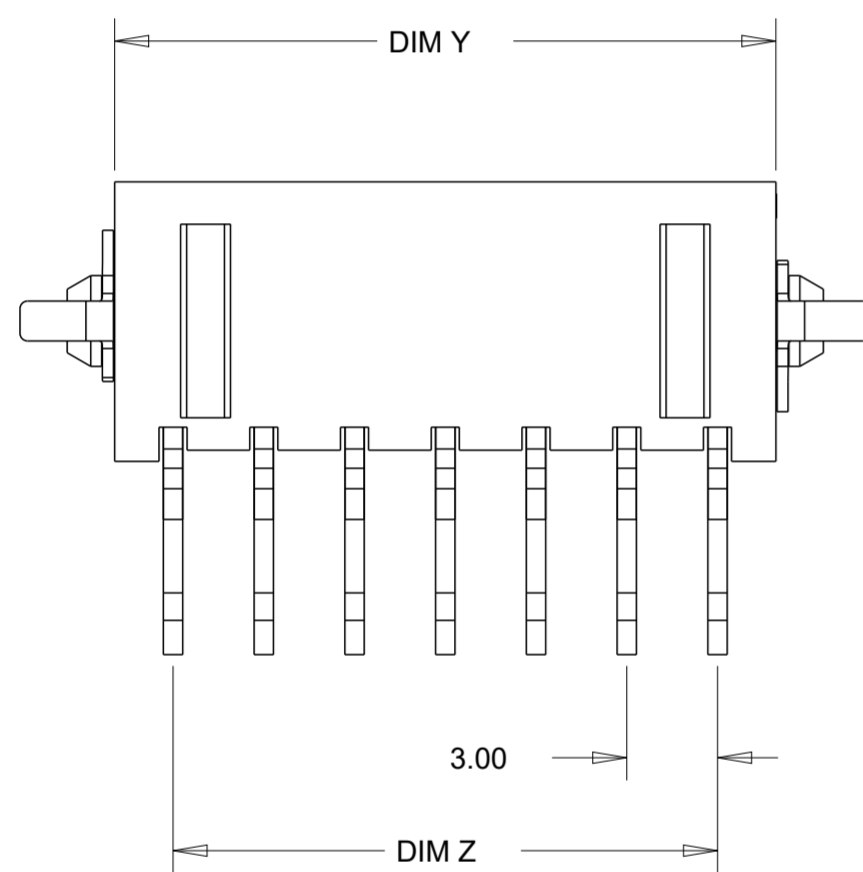
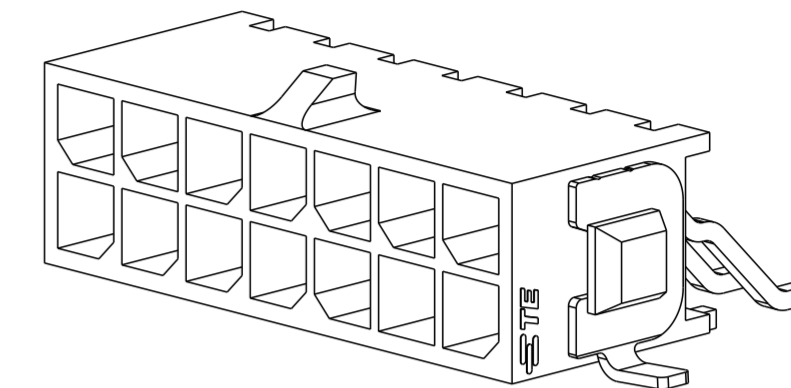
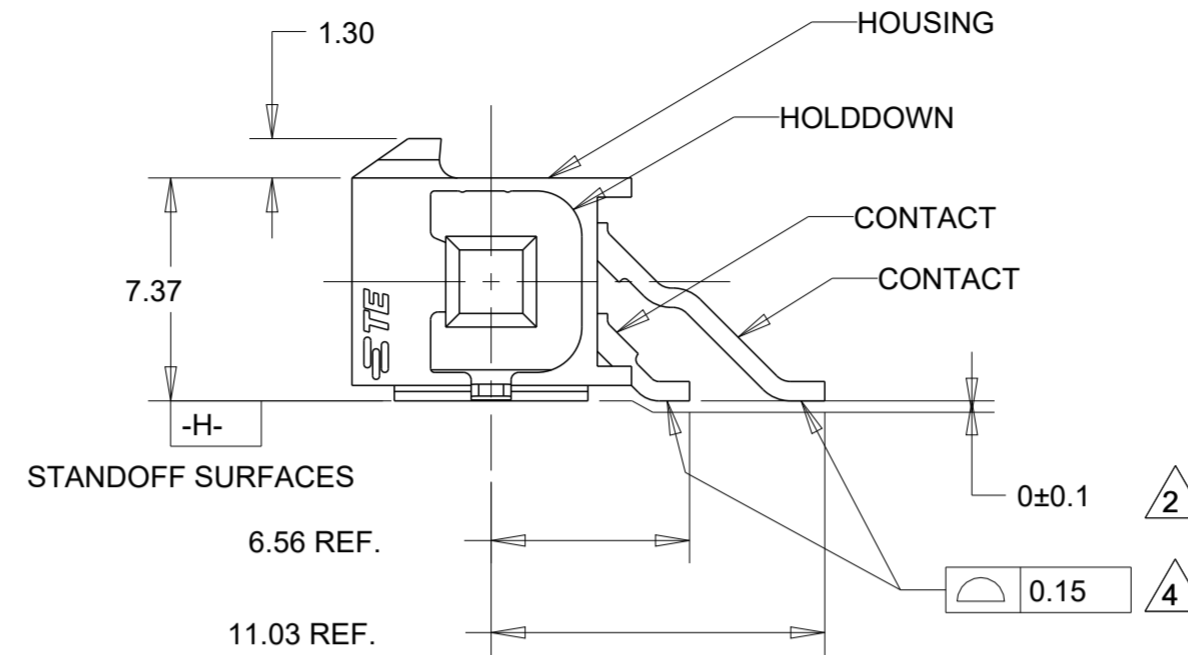
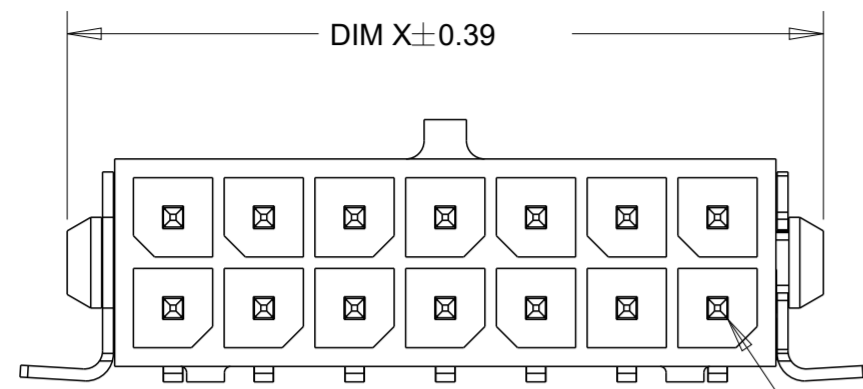


REVISIONS					
P	LTR	DESCRIPTION	DATE	DWN	APVD
H1		REVISED PER ECR-16-011494	22JUN2017	NK	CX
H2		ECO-19-006502	30APR2019	AP	WLS
H3		REVISED PER ECO-20-009852	14JUL2020	WLS	DZ
H4		REVISED PER ECN-21-100661	25MAR2021	WLS	VS

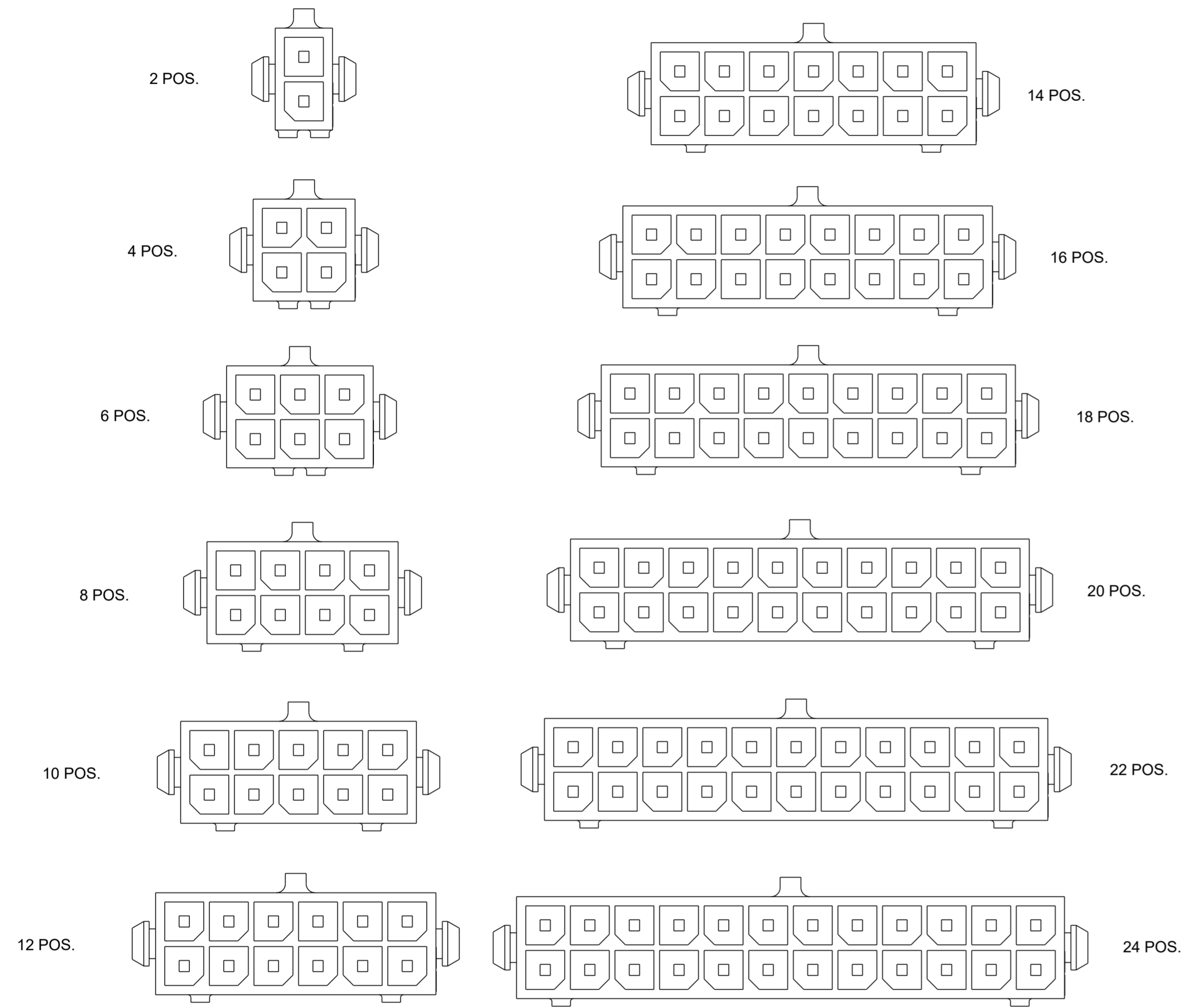


- 1 MATERIAL;  
HOUSING - UL 94V-0 RATED HIGH TEMP NYLON, COLOR BLACK.  
CONTACTS - BRASS.  
HOLDDOWNS - PHOSPHOR BRONZE.
  - 2 DIMENSION APPLIES TO SOLDER TAIL SURFACES AND STANDOFF SURFACES.
  - 3 RECOMMENDED PC BOARD THICKNESS OF 1.57.
  - 4 ALL SOLDER TAILS AND HOLDDOWNS.
  - 5 PLATING;  
CONTACTS - 0.38µm MINIMUM GOLD ON MATING AREA.  
2.54µm MINIMUM MATTE TIN ON SOLDER TAIL.  
ALL OVER 1.27µm MINIMUM NICKEL.  
HOLDDOWNS - 2.54µm MINIMUM MATTE TIN OVER 1.27µm MINIMUM NICKEL.
- 6 COUNTERPART RECOMMENDED IS PN 794617 (DASH ACCORDING TO NUMBER OF POSITION).
- 7 FOR REELING DIRECTION AND PACKAGING TYPE, SEE SPECIFICATION 114-13000.

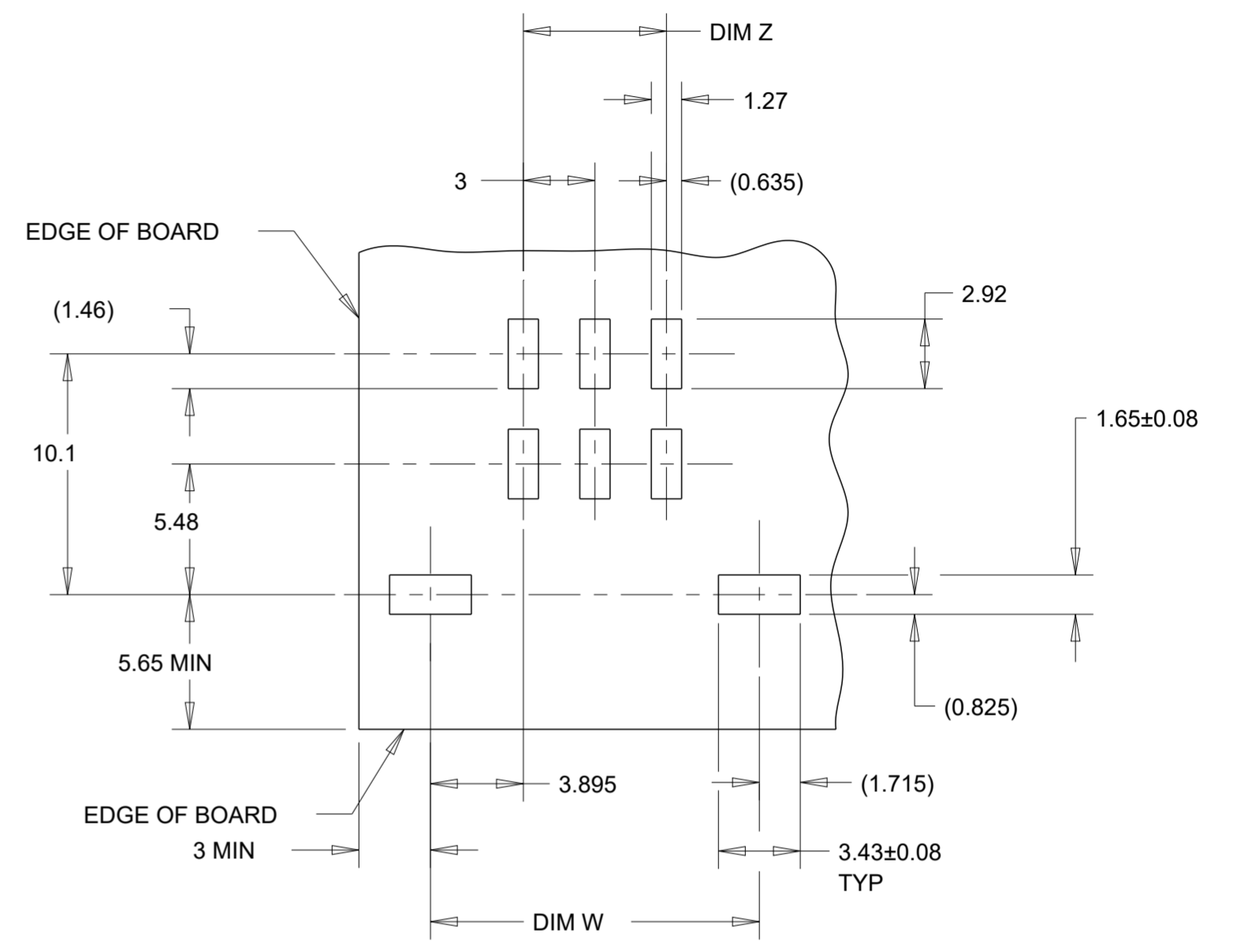
36.86	40.79	33.00	40.00	24	5-794628-4
33.86	37.79	30.00	37.00	22	5-794628-2
30.86	34.79	27.00	34.00	20	5-794628-0
27.86	31.79	24.00	31.00	18	4-794628-8
24.86	28.79	21.00	28.00	16	4-794628-6
21.86	25.79	18.00	25.00	14	4-794628-4
18.86	22.79	15.00	22.00	12	4-794628-2
15.86	19.79	12.00	19.00	10	4-794628-0
12.86	16.79	9.00	16.00	8	3-794628-8
9.86	13.79	6.00	13.00	6	3-794628-6
6.86	10.79	3.00	10.00	4	3-794628-4
3.86	7.79	-	7.00	2	3-794628-2
DIM Y	DIM W	DIM Z	DIM X	NO. OF POSN.	PART NUMBER

THIS DRAWING IS A CONTROLLED DOCUMENT.		DWN K. WHITAKER 19MAR2003	TE Connectivity		
DIMENSIONS: mm		CHK C. JONES 19MAR2003			
TOLERANCES UNLESS OTHERWISE SPECIFIED:		APVD C. JONES 19MAR2003	NAME SURFACE MOUNT, RIGHT ANGLE, SURFACE MOUNT HOLDDOWN, ASSEMBLY, 15 GOLD HEADER, DUAL ROW, MICRO MATE-N-LOK TM		
0 PLC ± 1 PLC ± 2 PLC ±0.13 3 PLC ± 4 PLC ±		PRODUCT SPEC 108-1836	SIZE A2	CAGE CODE 00779	DRAWING NO. G-794628
MATERIAL 1		FINISH 5	RESTRICTED TO -	SCALE 4:1	SHEET 1 OF 2
CUSTOMER DRAWING			REV H4		

REVISIONS					
P	LTR	DESCRIPTION	DATE	DWN	APVD
-	-	SEE SHEET 1	-	-	-



KEYING BY POSITION SIZE



RECOMMENDED PCB LAYOUT (COMPONENT SIDE)

THIS DRAWING IS A CONTROLLED DOCUMENT.		DWN K. WHITAKER 19MAR2003	TE Connectivity	
DIMENSIONS:		CHK C. JONES 19MAR2003		
mm	TOLERANCES UNLESS OTHERWISE SPECIFIED:	APVD C. JONES 19MAR2003	NAME SURFACE MOUNT, RIGHT ANGLE, SURFACE MOUNT HOLDDOWN, ASSEMBLY, 15 GOLD HEADER, DUAL ROW, MICRO MATE-N-LOK	
	0 PLC ± 1 PLC ± 2 PLC ±0.13 3 PLC ± 4 PLC ± ANGLES ±° FINISH	PRODUCT SPEC 108-1836 APPLICATION SPEC 114-13000 WEIGHT -	SIZE A2	CAGE CODE 00779
MATERIAL -	FINISH -	CUSTOMER DRAWING	DRAWING NO. 794628	RESTRICTED TO -
SCALE 4:1			SHEET 2 OF 2	REV H4

单击下面可查看定价，库存，交付和生命周期等信息

[>>TE Connectivity\(泰科\)](#)