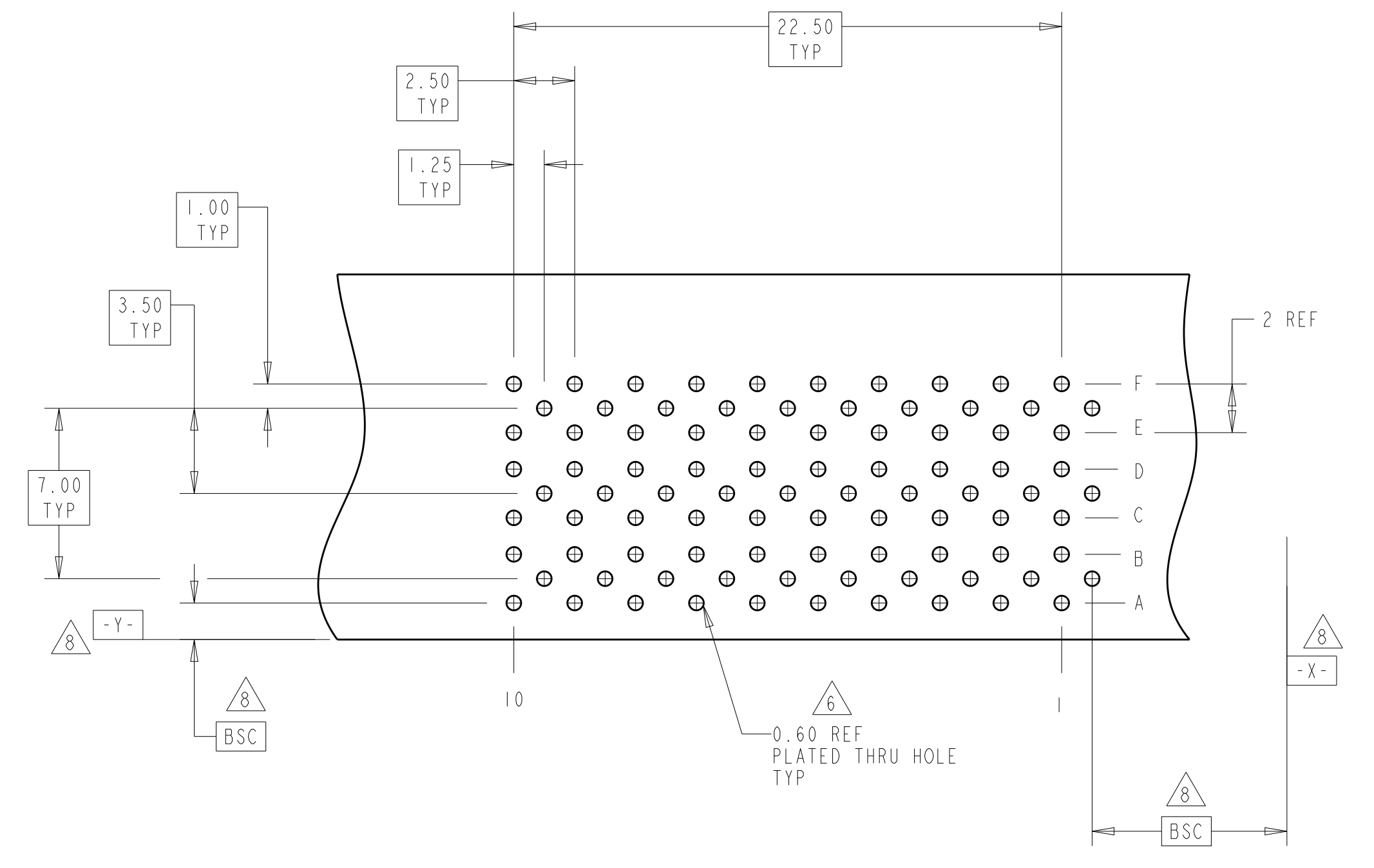
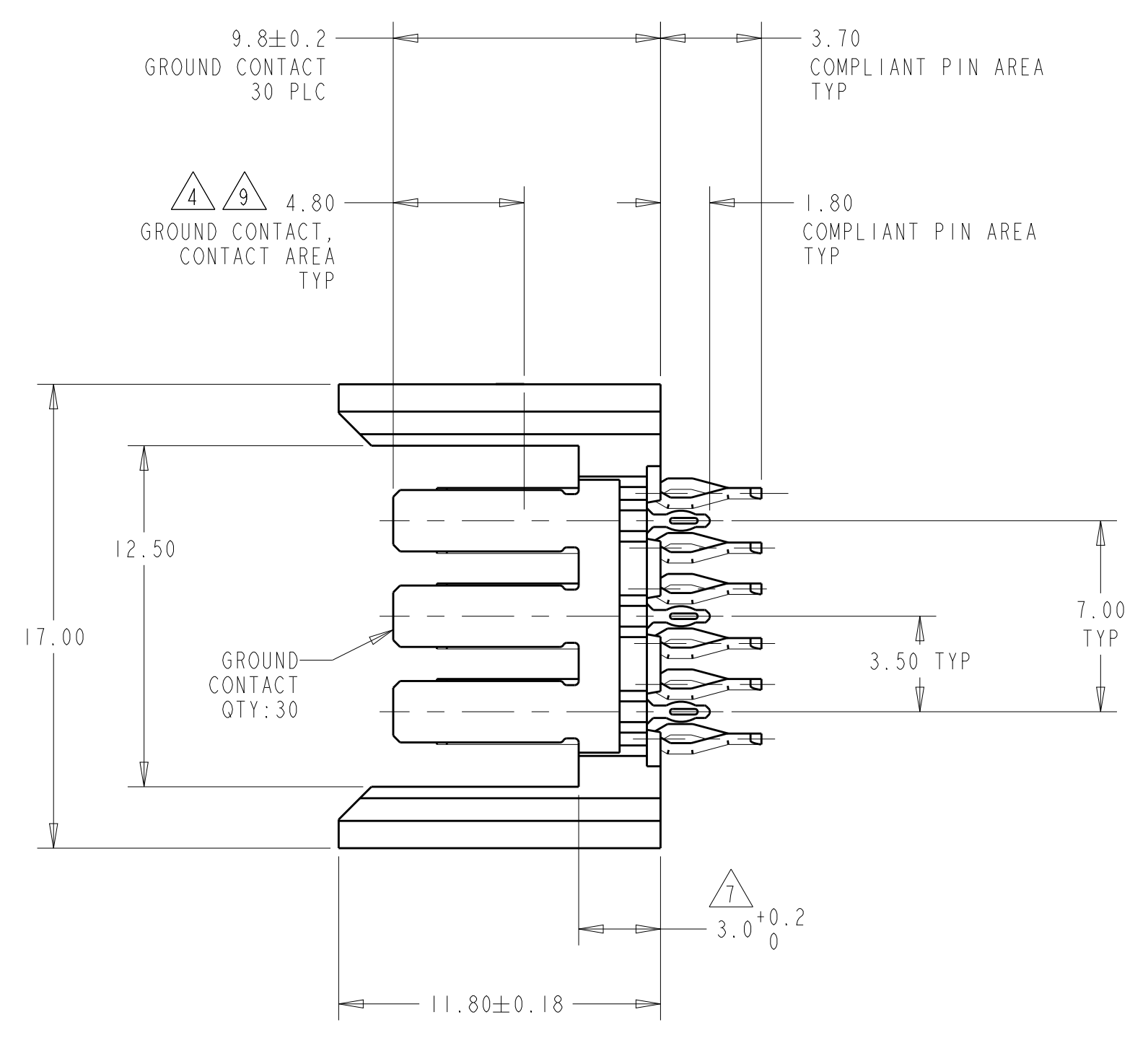
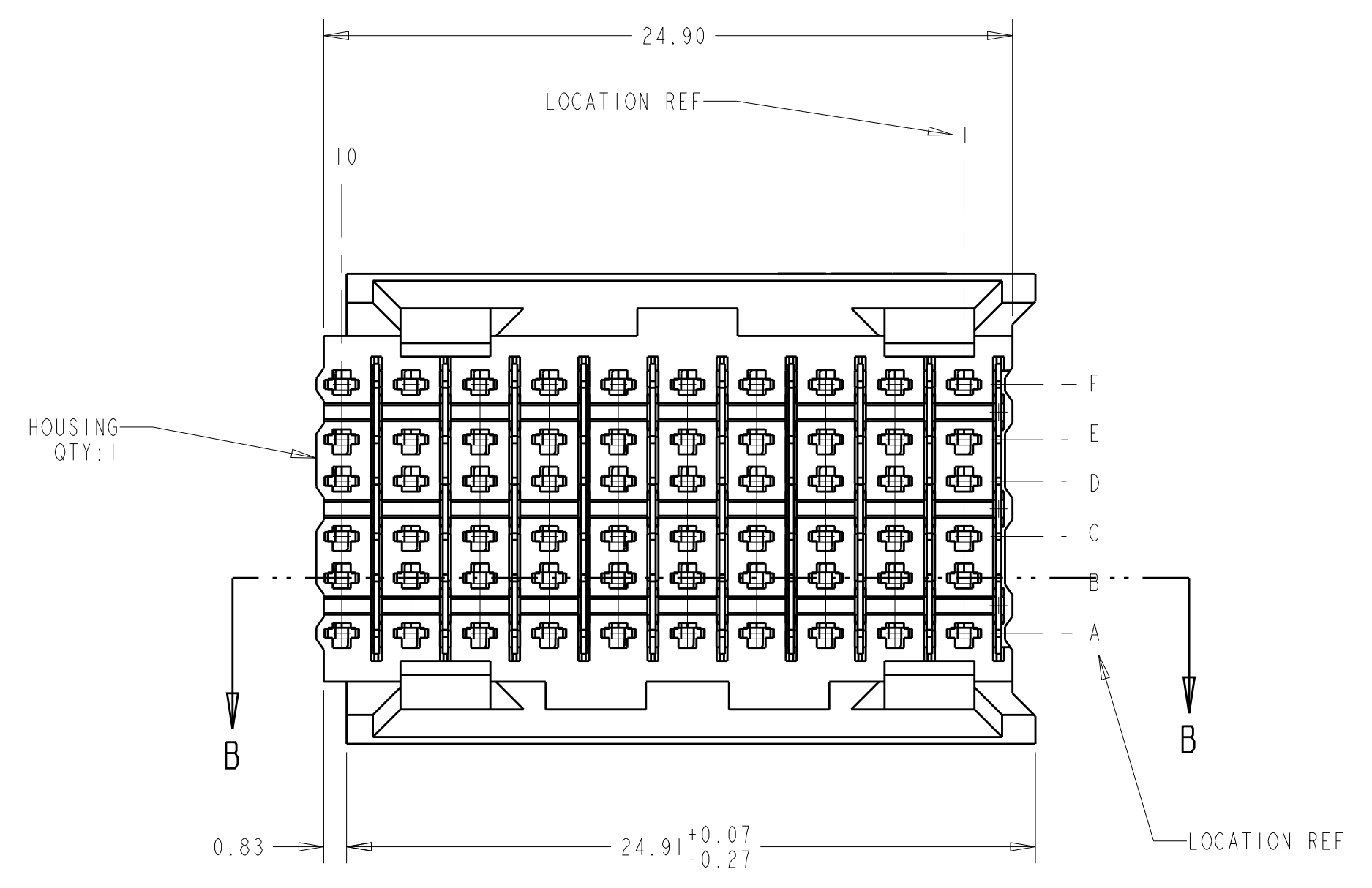
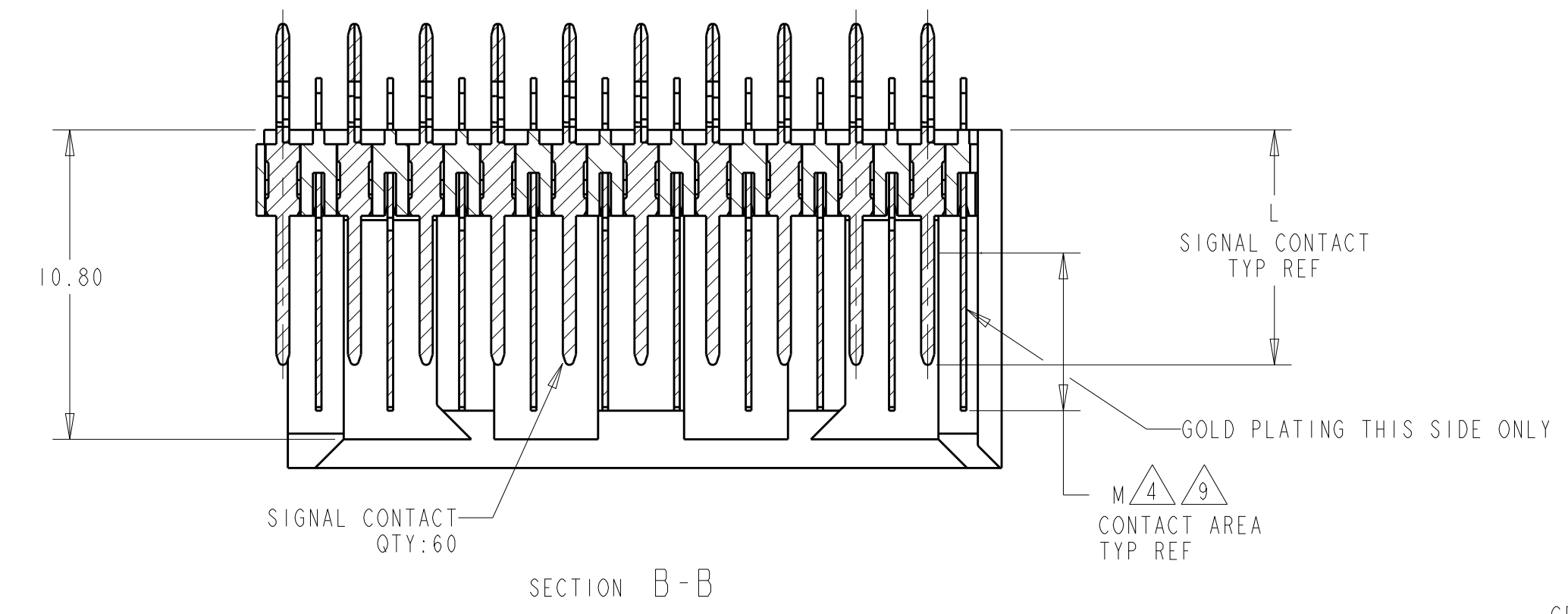
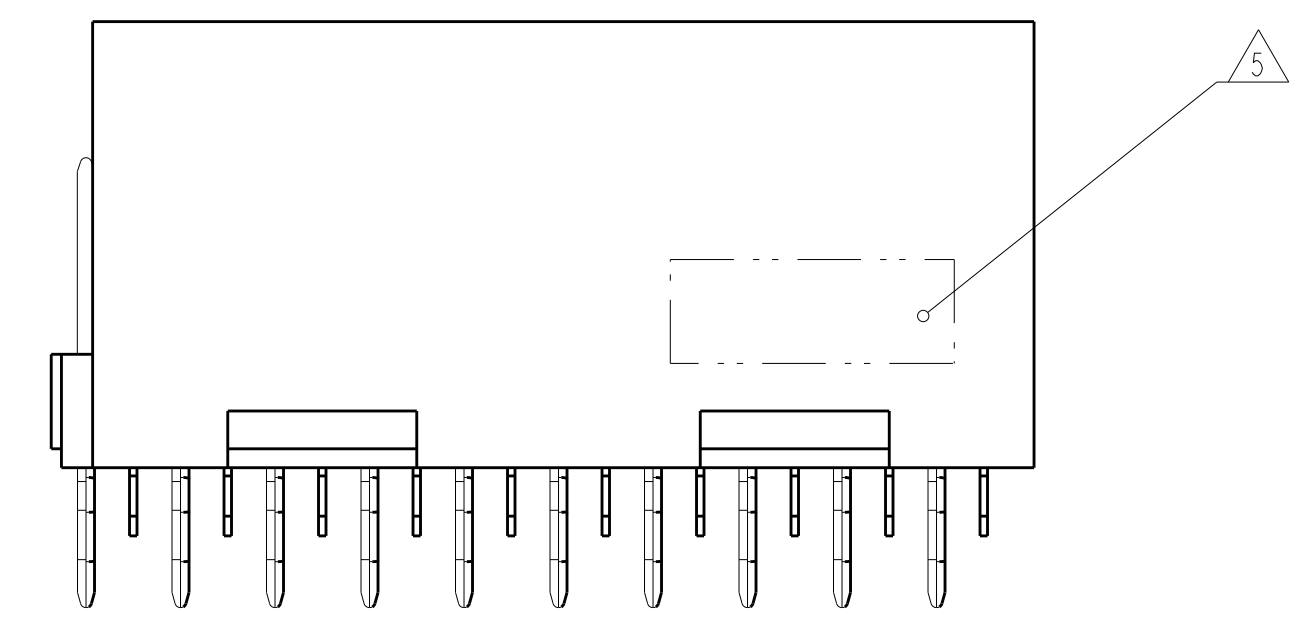


LOC	DIST	REV	DATE	BY	APPV
AD	00	B1	29AUG2012	KH	JE

- 2 PHOSPHOR BRONZE
- 3 LCP, UL94V-0
- 4 FINISH:
CONTACT MATING AREA MEETS THE PERFORMANCE REQUIREMENTS OF
TE CONNECTIVITY PRODUCT SPECIFICATION 108-1957; BASED ON
TELCORDIA GR-1217-CORE; APPLICATIONS IN UNCONTROLLED ENVIRONMENTS.
COMPLIANT PIN AREA: 0.5µm MIN MATTE TIN OVER BASE PLATING.
- 5 CONNECTOR MARKED WITH PART NUMBER AND DATE CODE
- 6 REFERENCE APPLICATION SPEC 114-13020 FOR RECOMMENDED
PLATED THRU HOLE DIAMETER AND PLATING THICKNESS.
- 7 APPLICATION SEATING HEIGHT TO PRINTED CIRCUIT BOARD
- 8 DATUMS AND BASIC DIMENSIONS ESTABLISHED BY CUSTOMER
- 9 CONTACT AREA LUBRICATED WITH BELLCORE APPROVED LUBRICANT
TECHNICAL REFERENCE: GR-1217-CORE, ISSUE 1, NOVEMBER 1995



RECOMMENDED
PRINTED CIRCUIT BOARD
LAYOUT
COMPONENT SIDE OF PRINTED CIRCUIT BOARD



5.50	9.7	5120674-2
5.50	8.2	5120674-1
M	L	PART NUMBER

THIS DRAWING IS A CONTROLLED DOCUMENT.

DWN: B. CARBO 06DEC04
CHK: R. PATTERSON 06DEC04
APPV: R. PATTERSON 06DEC04

TE Connectivity

NAME: HEADER ASSEMBLY, 60 POSITION, 6 ROW, BACKPLANE CONNECTOR, Z-PACK HS3

SIZE: A1 CAGE CODE: 00779 DRAWING NO: 5120674

RESTRICTED TO: -

MATERIAL: HOUSING: 3 CONTACTS: 2 FINISH: SIGNAL CONTACT: 4

WEIGHT: -

CUSTOMER DRAWING

SCALE: 5:1 SHEET: 1 OF 1 REV: B1

单击下面可查看定价，库存，交付和生命周期等信息

[>>TE Connectivity\(泰科\)](#)