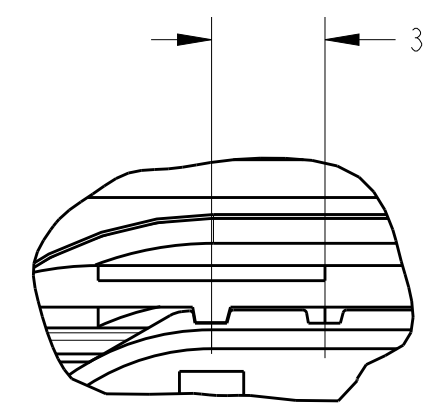
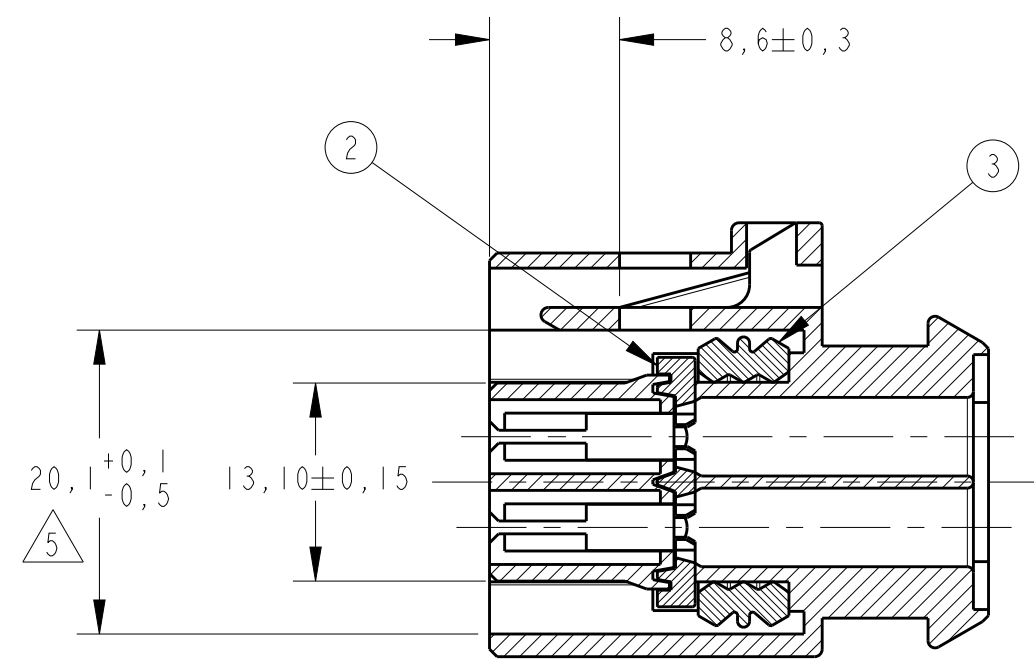
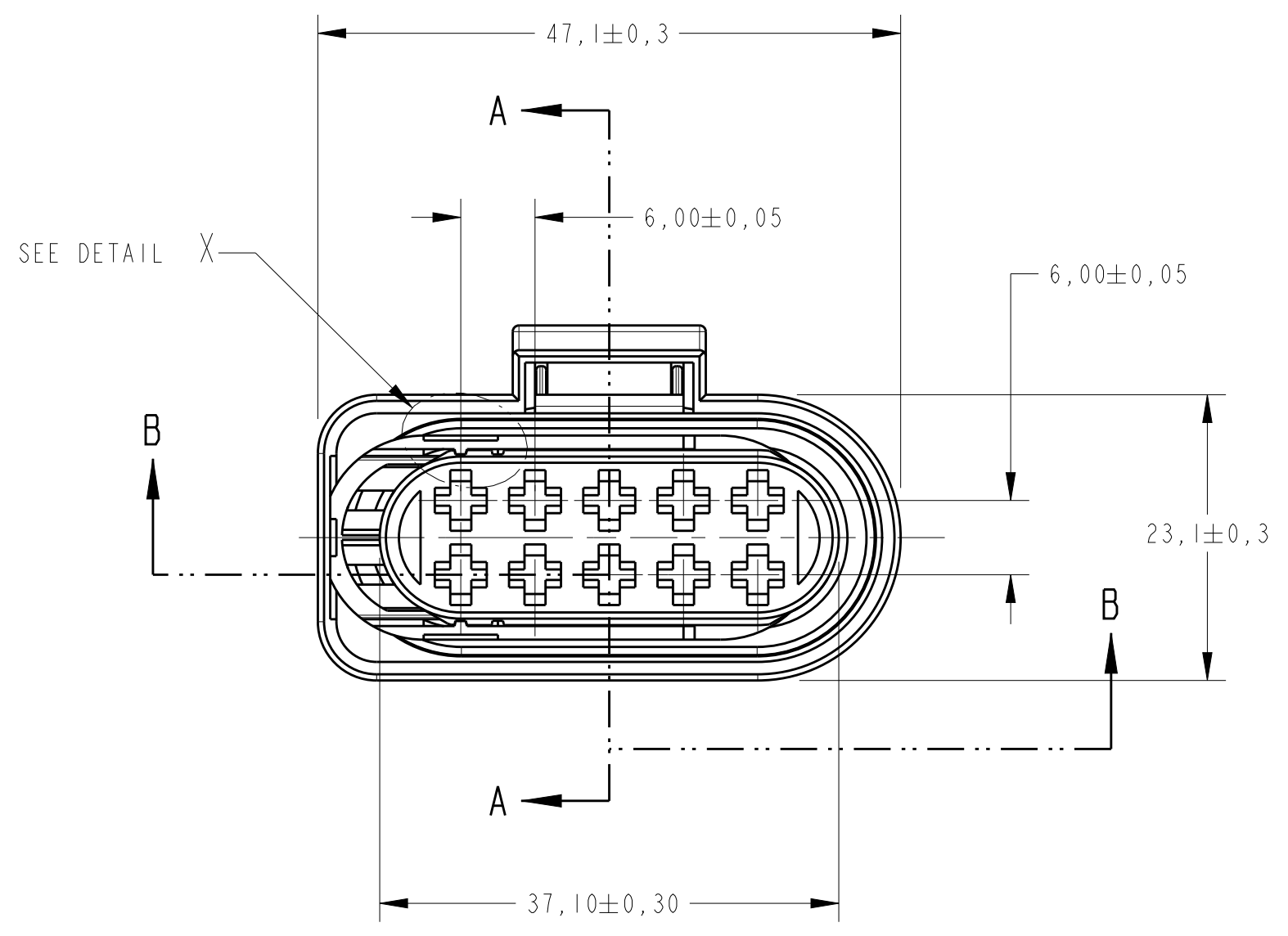


THIS DRAWING IS UNPUBLISHED. RELEASED FOR PUBLICATION
 © COPYRIGHT 20 ALL RIGHTS RESERVED.

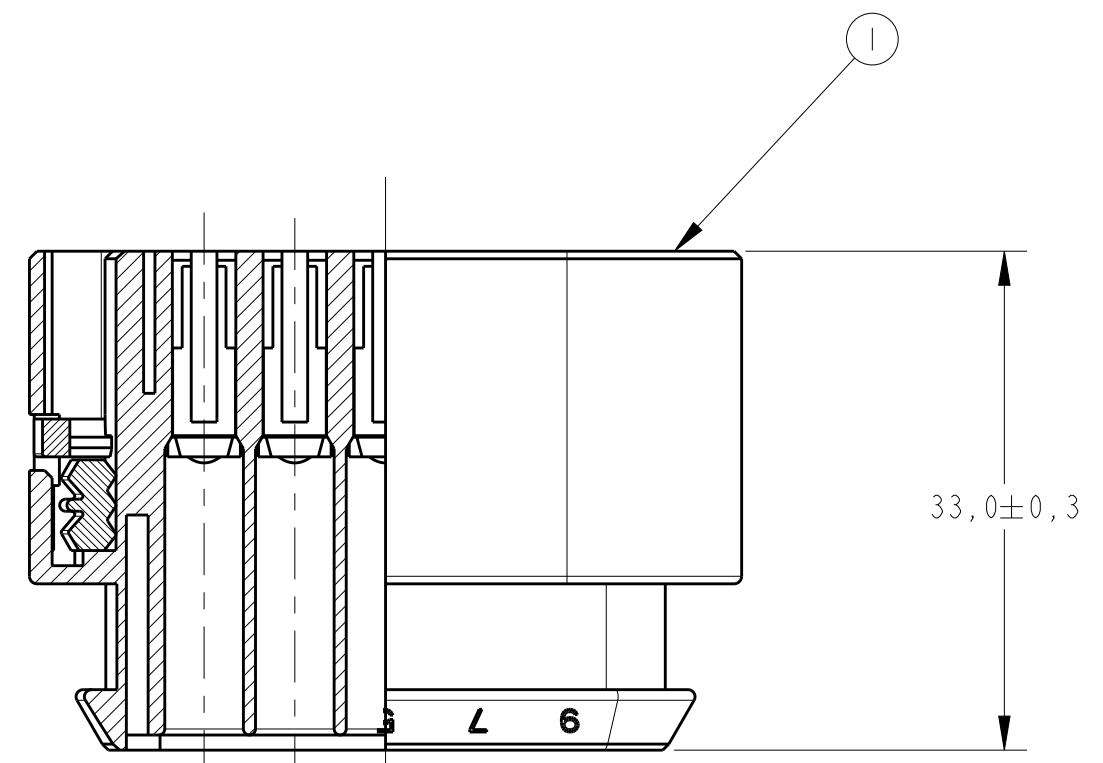
| LOC | | DIST | | REVISIONS | | | |
|-----|-----|------------------------------|-----------|-----------|------|--|--|
| P | LTR | DESCRIPTION | DATE | DWN | APVD | | |
| AP | - | | | | | | |
| E3 | | REVISED DESIGN ECO-11-009958 | 29JUN2011 | NCL | MG | | |
| F | | REVISED DESIGN ECO-14-000611 | 14JAN2014 | NCL | NMS | | |
| G | | REVISED BY ECO-17-005012 | 12APR2017 | LAA | GOJ | | |

creo
 Creo Parametric 2.0
DO NOT REVISE
EXCEPT BY CAD

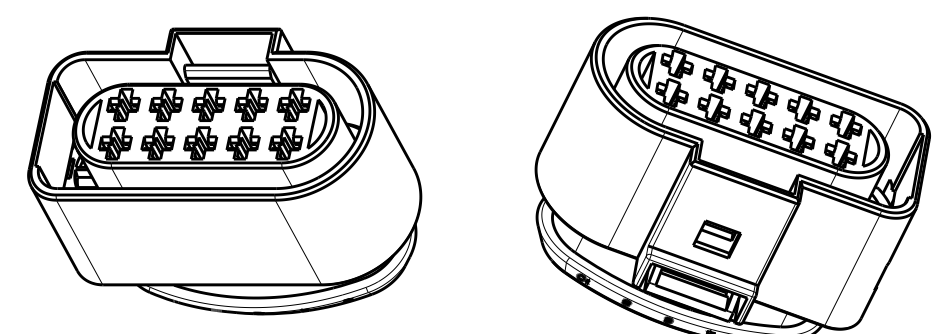


DETAIL X
 SCALE 5:1

AS PEÇAS SÃO FORNECIDAS
 COMO MOSTRADAS.
 THE PARTS MUST BE
 SUPPLIED AS SHOWN.



SECTION B-B



PERSPECTIVE VIEW
 SCALE 1:1

- ① - VER DESENHO DE CLIENTE RESTRITO 493577-1
- ② - USAR TERMINAIS CONFORME DESENHO DE CLIENTE 1355047.
- ③ - CONTRA PEÇA TE CONNECTIVITY UTILIZADA, VEJA DESENHO PN 493571.
- ④ - CONTRA PEÇA REFERÊNCIA VEJA FOLHA 2 DE 2.
- ⑤ - DIMENSÃO APENAS PARA TRAVA DO CONECTOR

- ① - SEE RESTRICTED CUSTOMER DRAWING 493577-1
- ② - USED WITH TERMINALS ACC. TO CUSTOMER DRAWING 1355047.
- ③ - FOR TE CONNECTIVITY MATING PART SEE PN DRAWING 493571.
- ④ - FOR REFERENCE MATING PART SEE SHEET 2 OF 2
- ⑤ - DIMENSION ONLY FOR CONNECTOR LOCKING.

| GRAVAÇÃO MARKING |
|--|
| LOGOTIPO AMP AMP LOGO |
| CÓDIGO PAÍS PRODUTOR MANUFACTURER COUNTRY CODE |
| NOMENCLATURA MATERIAL MATERIAL NOMENCLATURE |
| NÚMERO COMPONENTE TE CONNECTIVITY TE CONNECTIVITY COMPONENT NUMBER |
| NÚMERO CAVIDADE CAVITY NUMBER |
| IDENTIFICAÇÃO CIRCUITO CIRCUIT IDENTIFICATION |
| PAÍS PRODUTOR MANUFACTURER COUNTRY |
| REV+ LETRA REV.DA PEÇA REV.+ PART REV.LETTER |

| REQ. PER ASS'Y | ITEM | DESCRIPTION | MATERIAL | FINISH |
|----------------|--|-------------|----------------|----------------|
| 3 | CONNECTOR SEAL | | SILICONE | LARANJA/ORANGE |
| 2 | SLIDING LOCK, 10 POSN. J.P.TIMER RCPT. | | PBT+10% FV /GF | VIOLETA/VIOLET |
| 1 | HSG., 10 POSN. J.P.TIMER, RCPT | | PBT | PRETO/BLACK |

| | | | | |
|--|-----------|-------------------------|--------------------------------|-----------|
| THIS DRAWING IS A CONTROLLED DOCUMENT. | | DWN N.C.LAPRESA 17JUN99 | TE Connectivity | |
| DIMENSIONS: mm | | CHK P.L.FARIA 17JUN99 | | |
| TOLERANCES UNLESS OTHERWISE SPECIFIED: | | APVD P.R.SILVA 17JUN99 | | |
| 0 PLC | ± | NAME | HSG., 10 POSN. J.P.TIMER, RCPT | |
| 1 PLC | ±0,2 | SIZE | A2 | CAGE CODE |
| 2 PLC | ± | DRAWING NO | 00779 C-493577 | |
| 3 PLC | ± | RESTRICTED TO | | |
| 4 PLC | ± | SCALE | 2:1 | |
| ANGLES | ±1° | SHEET | 1 OF 2 | |
| FINISH | SEE TABLE | REV | G | |

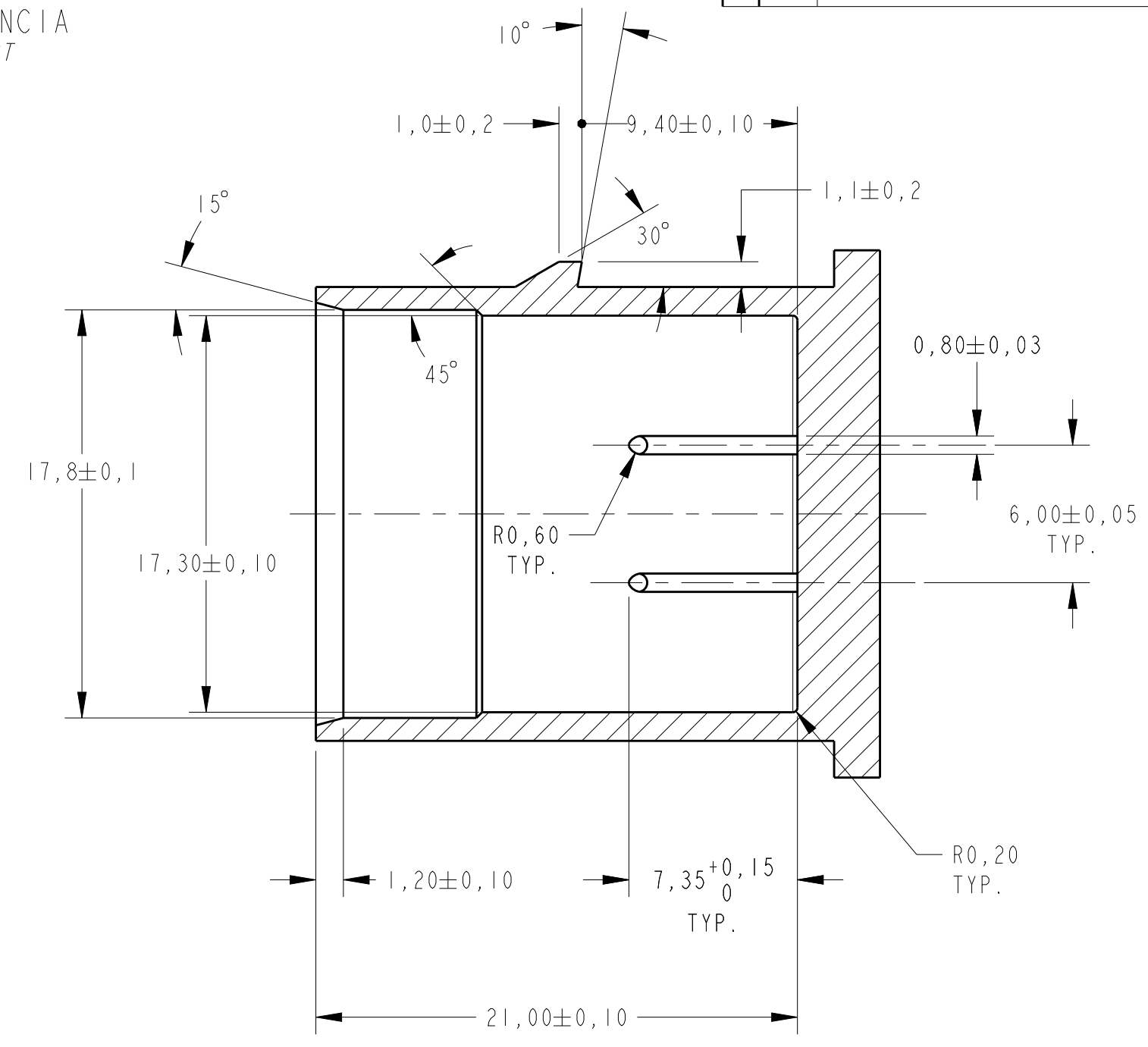
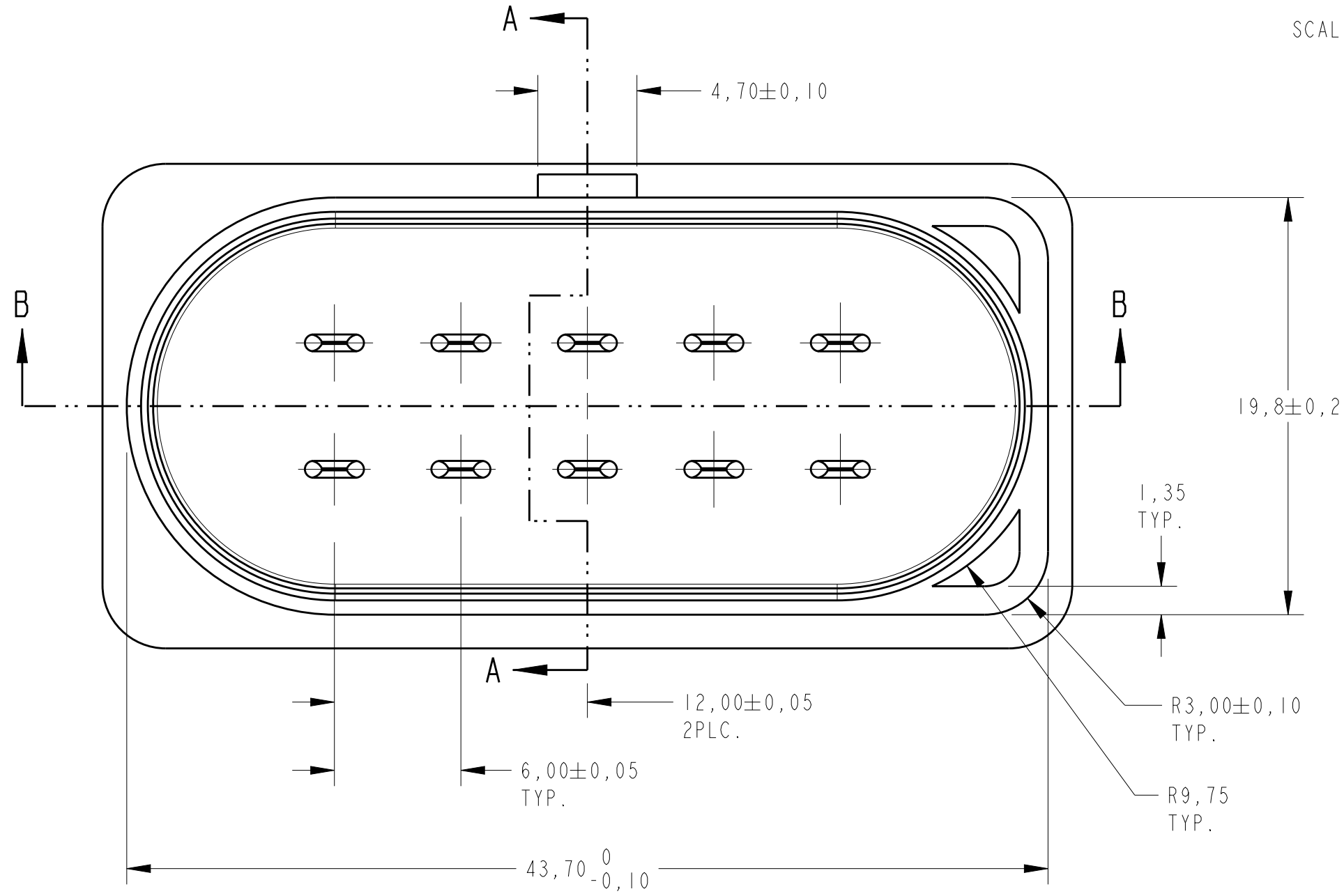
493577

THIS DRAWING IS UNPUBLISHED. RELEASED FOR PUBLICATION
 © COPYRIGHT 20 ALL RIGHTS RESERVED.

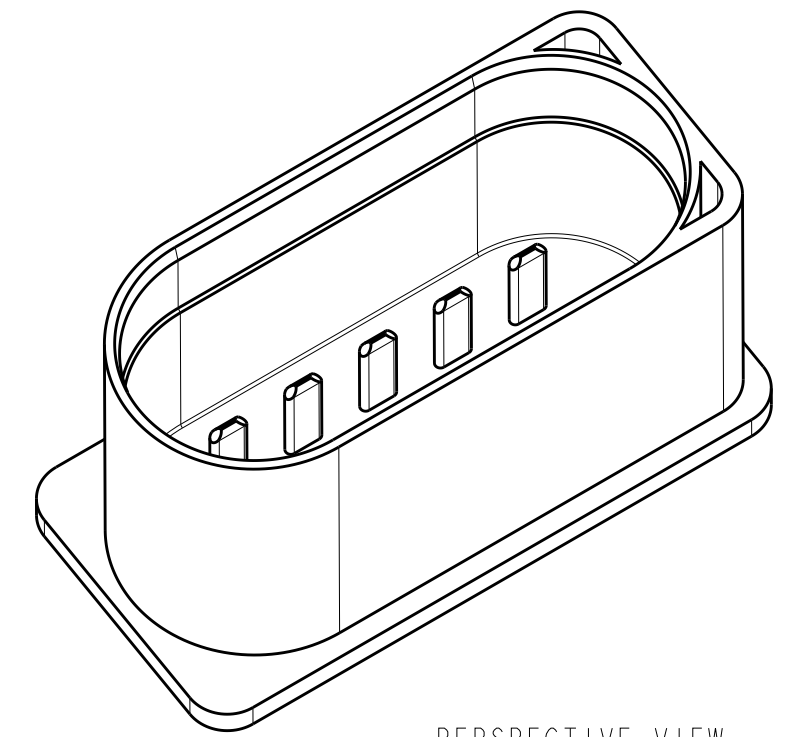
| LOC | | DIST | | REVISIONS | | | |
|-----|-----|-------------|------|-----------|------|--|--|
| P | LTR | DESCRIPTION | DATE | DWN | APVD | | |
| - | - | SEE SHEET 1 | - | - | - | | |

CONTRA PEÇA REFERÊNCIA
 REFERENCE MATING PART

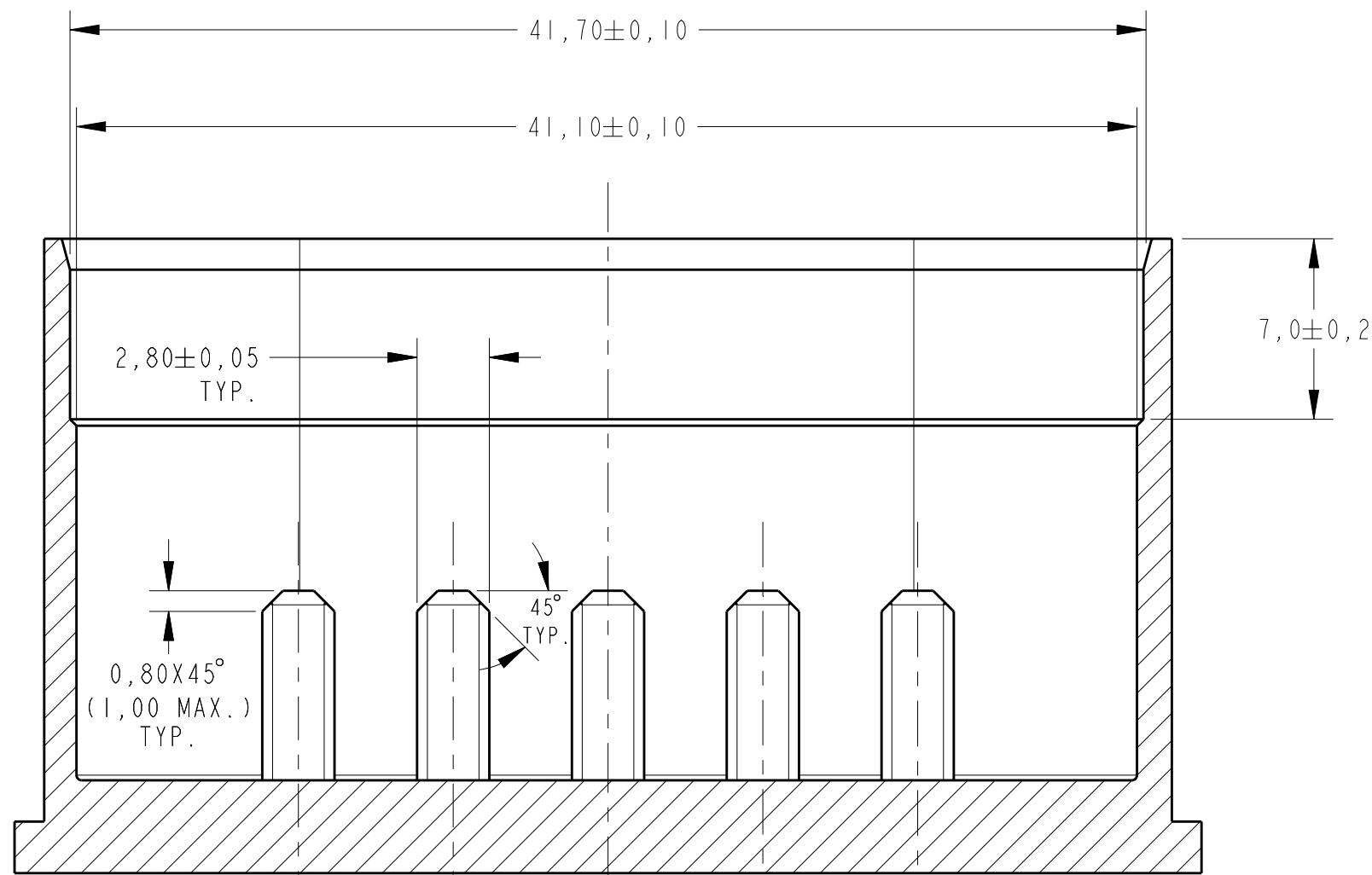
SCALE 4:1



SECTION A-A



PERSPECTIVE VIEW



SECTION B-B

| | | | | | | | | | | | | | | |
|--|------|-------------------------------|---|--------------------|------|-------|---|-------|---|-------|---|-------------------|------------|--------------------|
| THIS DRAWING IS A CONTROLLED DOCUMENT. | | DWN N.C.LAPRESA 17JUN99 | TE Connectivity | | | | | | | | | | | |
| DIMENSIONS: mm | | CHK P.L.FARIA 17JUN99 | | | | | | | | | | | | |
| TOLERANCES UNLESS OTHERWISE SPECIFIED: | | APVD P.R.SILVA 17JUN99 | NAME HSG., 10 POSN. J.P.TIMER, RCPT | | | | | | | | | | | |
| <table border="1"> <tr><td>0 PLC</td><td>±</td></tr> <tr><td>1 PLC</td><td>±0,2</td></tr> <tr><td>2 PLC</td><td>±</td></tr> <tr><td>3 PLC</td><td>±</td></tr> <tr><td>4 PLC</td><td>±</td></tr> </table> | | 0 PLC | ± | 1 PLC | ±0,2 | 2 PLC | ± | 3 PLC | ± | 4 PLC | ± | PRODUCT SPEC - | SIZE A2 | CAGE CODE 00779 |
| 0 PLC | ± | | | | | | | | | | | | | |
| 1 PLC | ±0,2 | | | | | | | | | | | | | |
| 2 PLC | ± | | | | | | | | | | | | | |
| 3 PLC | ± | | | | | | | | | | | | | |
| 4 PLC | ± | | | | | | | | | | | | | |
| MATERIAL SEE TABLE | | APPLICATION SPEC - | DRAWING NO C-493577 | RESTRICTED TO - | | | | | | | | | | |
| FINISH SEE TABLE | | WEIGHT - | SCALE 2:1 | SHEET 2 OF 2 | | | | | | | | | | |
| | | CUSTOMER DRAWING | REV G | | | | | | | | | | | |

单击下面可查看定价，库存，交付和生命周期等信息

[>>TE Connectivity\(泰科\)](#)