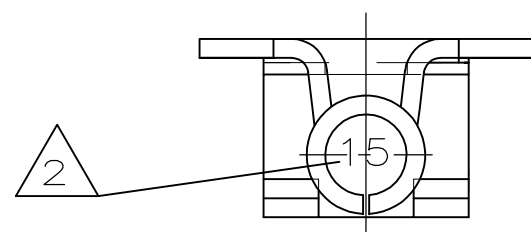
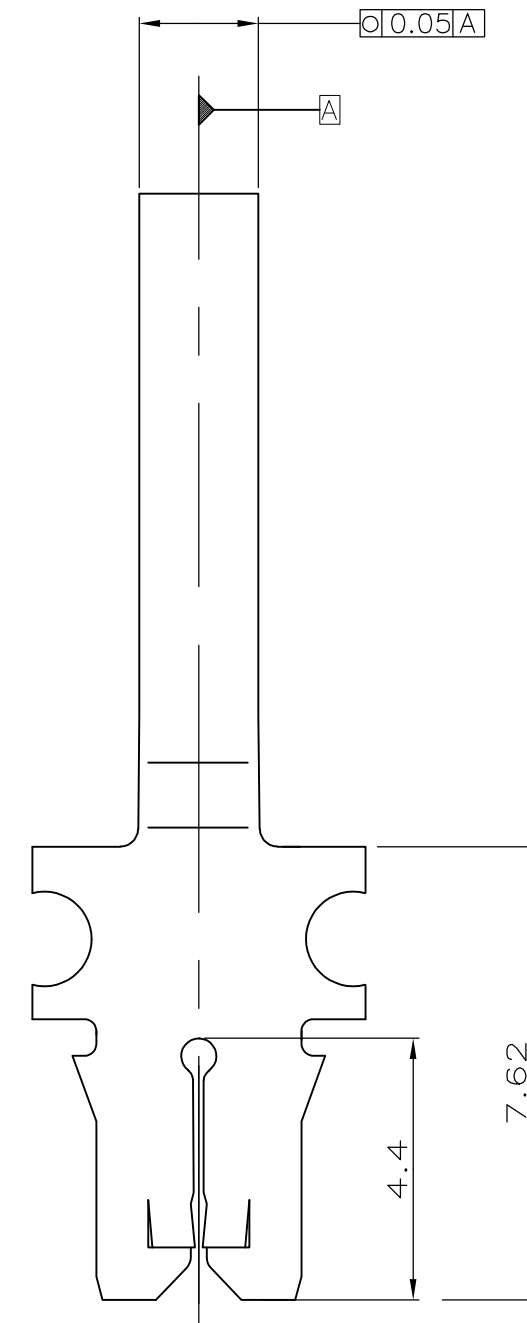
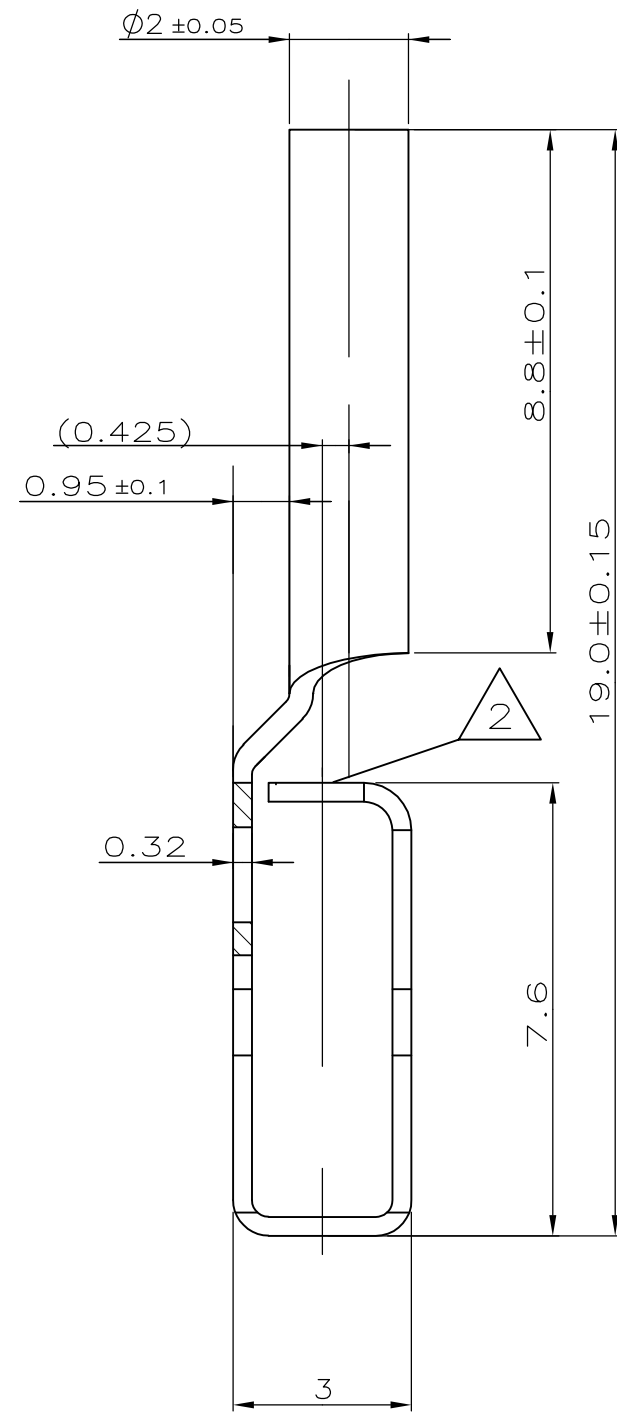
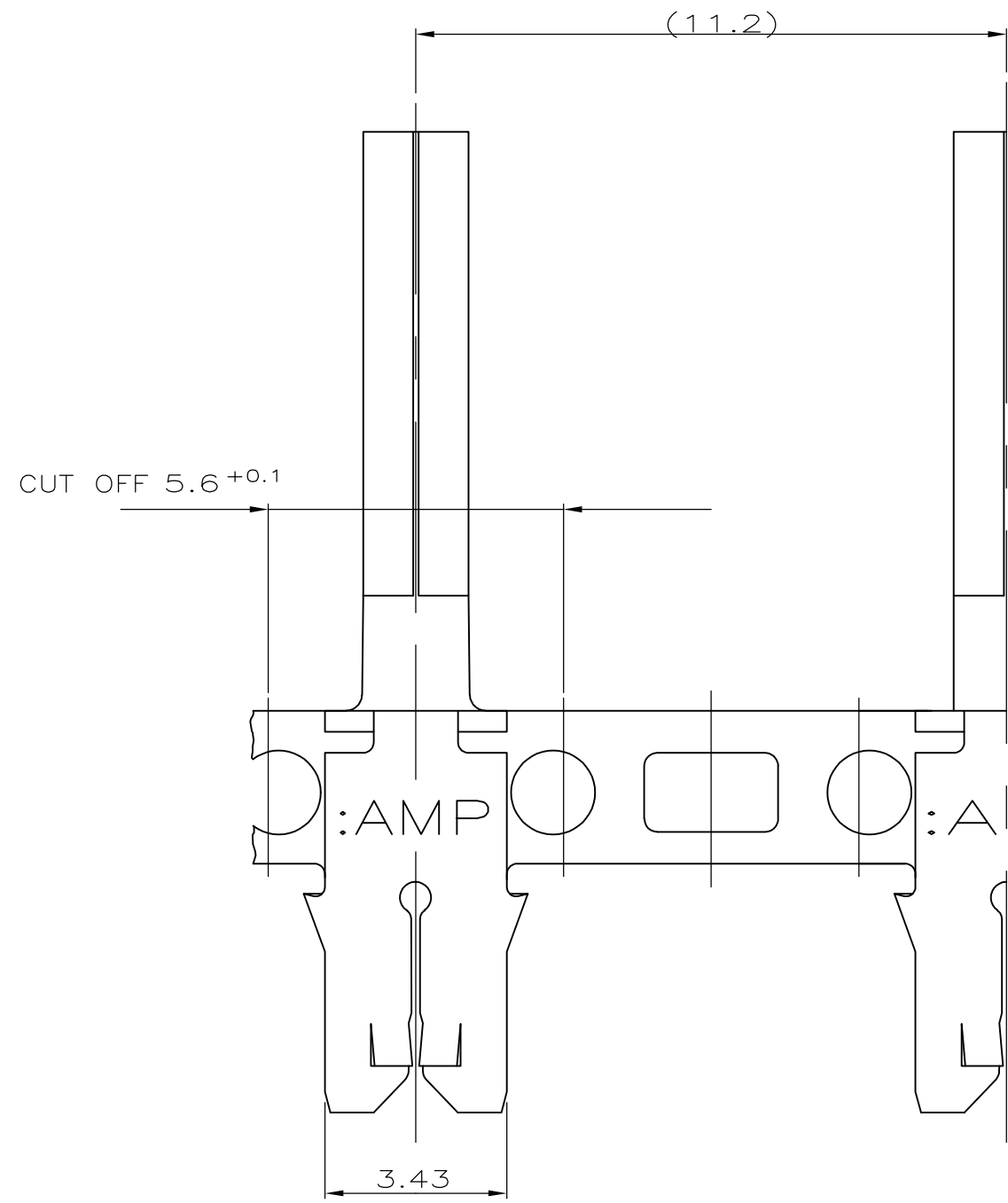


THIS DRAWING IS UNPUBLISHED. RELEASED FOR PUBLICATION  
 © COPYRIGHT - By - ALL RIGHTS RESERVED.

LOC		DIST		REVISIONS			
P	LTR	DESCRIPTION		DATE	DWN	APVD	
IR	-	A	INITIAL RELEASE	08NOV2012	PKS	RRP	



3 Kontakt-Kammer nach Zeichnung. 411-18512  
 REFER CONTACT CAVITY DWG. 411-18512

2 Kennziffer für Lackdrahtbereich (15)  
 IDENTIFIKATION NO. FOR MAGNET WIRE RANGE (15)

1 Geeignet für Kupferlackdraht (einfach) Ø0.57-0.81mm  
 SLOT ACCEPTS SINGLE COPPER MAGNET WIRE AWG 23-20

PRE-TINNED	BRASS	2178472-1
FINISH	MATERIAL	P/N

THIS DRAWING IS A CONTROLLED DOCUMENT.		DWN	07NOV2012	 TE Connectivity
DIMENSIONS: mm		CHK	08NOV2012	
TOLERANCES UNLESS OTHERWISE SPECIFIED:		APVD	08NOV2012	
0 PLC ± 0.2 1 PLC ± 0.2 2 PLC ± 0.2 3 PLC ± 0.2 4 PLC ± - ANGLES ± 30		PRODUCT SPEC		
MATERIAL SEE TABLE		FINISH	SEE TABLE	NAME
		WEIGHT	-	MAG MATE PIN-KONTAKT MAG MATE STIFT-KONTAKT
		CUSTOMER DRAWING		SIZE
				CAGE CODE
				DRAWING NO
				RESTRICTED TO
				A2 00779 C=2178472
				SCALE
				10:1
				SHEET
				1 of 1
				REV
				A

2178472

单击下面可查看定价，库存，交付和生命周期等信息

[>>TE Connectivity\(泰科\)](#)