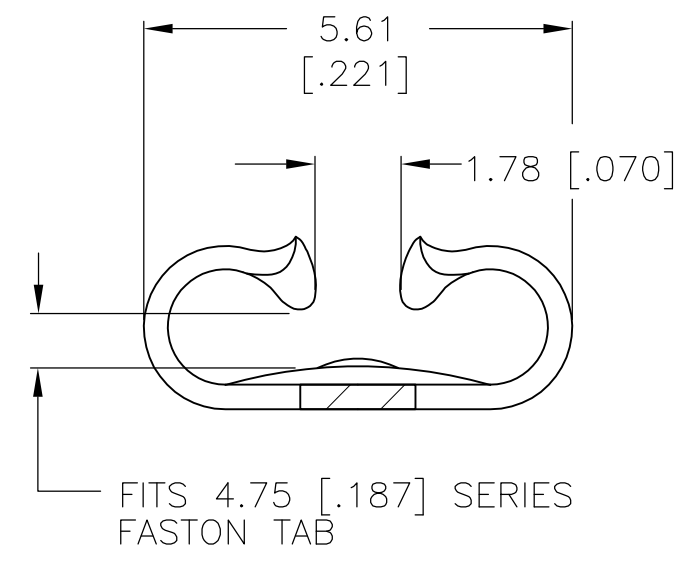
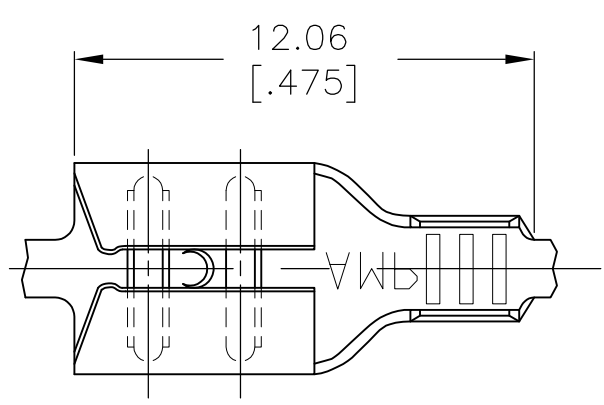


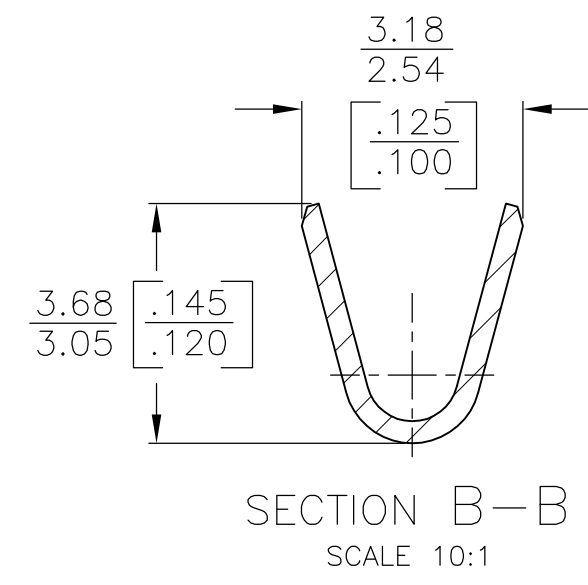
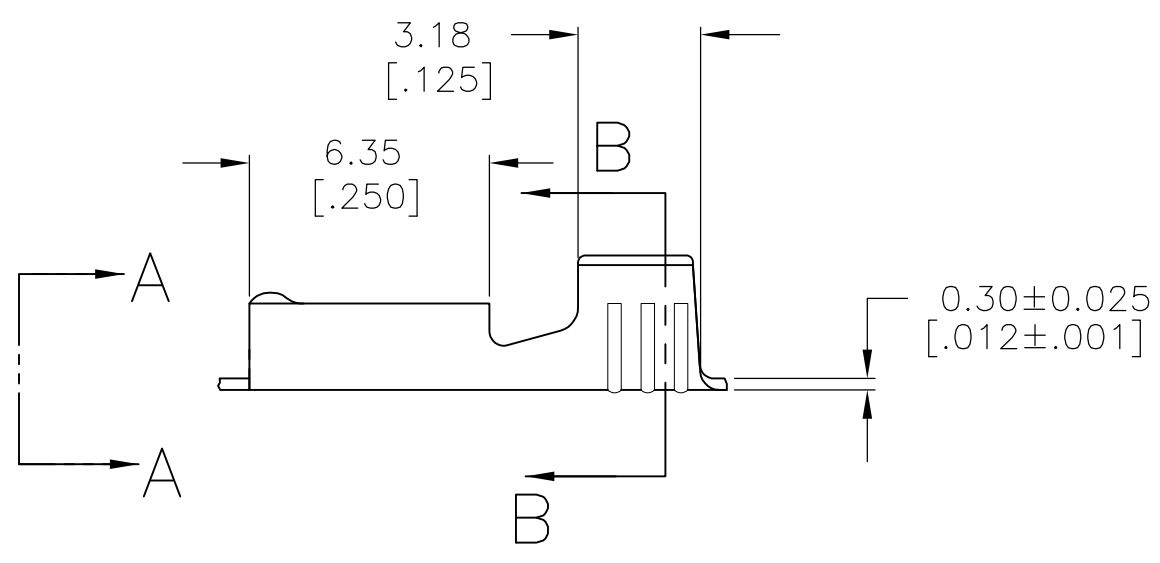
THIS DRAWING IS UNPUBLISHED. RELEASED FOR PUBLICATION  
 © COPYRIGHT - By - ALL RIGHTS RESERVED.


| LOC | DIST | REVISIONS |     |                           |         |     |      |
|-----|------|-----------|-----|---------------------------|---------|-----|------|
| AF  | 50   | P         | LTR | DESCRIPTION               | DATE    | DWN | APVD |
|     |      | F         |     | REVISED PER ECR-12-013445 | 18OCT12 | KH  | PD   |

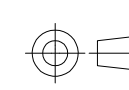
1 CONTINUOUS STRIP ON REELS



VIEW A-A  
SCALE 10:1



|                             |   |                                 |           |            |               |        |     |   |
|-----------------------------|---|---------------------------------|-----------|------------|---------------|--------|-----|---|
| TIN                         | 0.5-1.3mm <sup>2</sup><br>[20-16] AWG   | 0.51<br>[.020]                  | 42799-2   |            |               |        |     |   |
| -                           |   |                                 | 42799-1   |            |               |        |     |   |
| FINISH                      | WIRE SIZE   | MATING TAB THK<br>±0.025 [.001] | PART NO   |            |               |        |     |   |
| DWN<br>JR RUTH<br>8/27/91   |  <b>TE Connectivity</b><br>RECEPTACLE, FASTON, <sup>TM</sup><br>4.75 [.187] SERIES |                                 |           |            |               |        |     |   |
| CHK<br>P FORTNEY<br>8/27/91 |   |                                 |           |            |               |        |     |   |
| APVD<br>C MEYERS<br>8/27/91 |   |                                 |           |            |               |        |     |   |
| PRODUCT SPEC                |   |                                 |           |            |               |        |     |   |
| APPLICATION SPEC            | NAME  | SIZE                            | CAGE CODE | DRAWING NO | RESTRICTED TO |        |     |   |
| WEIGHT                      | -   | A3                              | 00779     | C-42799    | -             |        |     |   |
| CUSTOMER DRAWING            |   |                                 | SCALE     | 5:1        | SHEET         | 1 OF 1 | REV | F |

|   |   |
|---|---|
| THIS DRAWING IS A CONTROLLED DOCUMENT.  |   |
| DIMENSIONS:<br>mm [INCHES]  | TOLERANCES UNLESS OTHERWISE SPECIFIED:  |
|  | 0 PLC ± -<br>1 PLC ± -<br>2 PLC ± 0.38 [.015]<br>3 PLC ± -<br>4 PLC ± -<br>ANGLES ± - |
| MATERIAL<br>BRASS   | FINISH<br>SEE TABLE   |

单击下面可查看定价，库存，交付和生命周期等信息

[>>TE Connectivity\(泰科\)](#)