

4

3

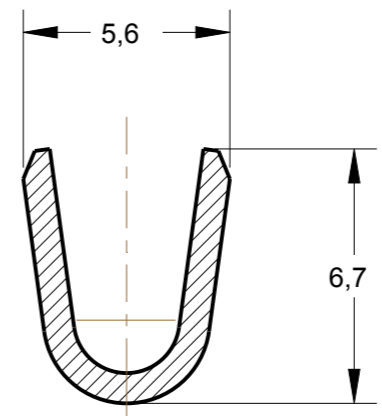
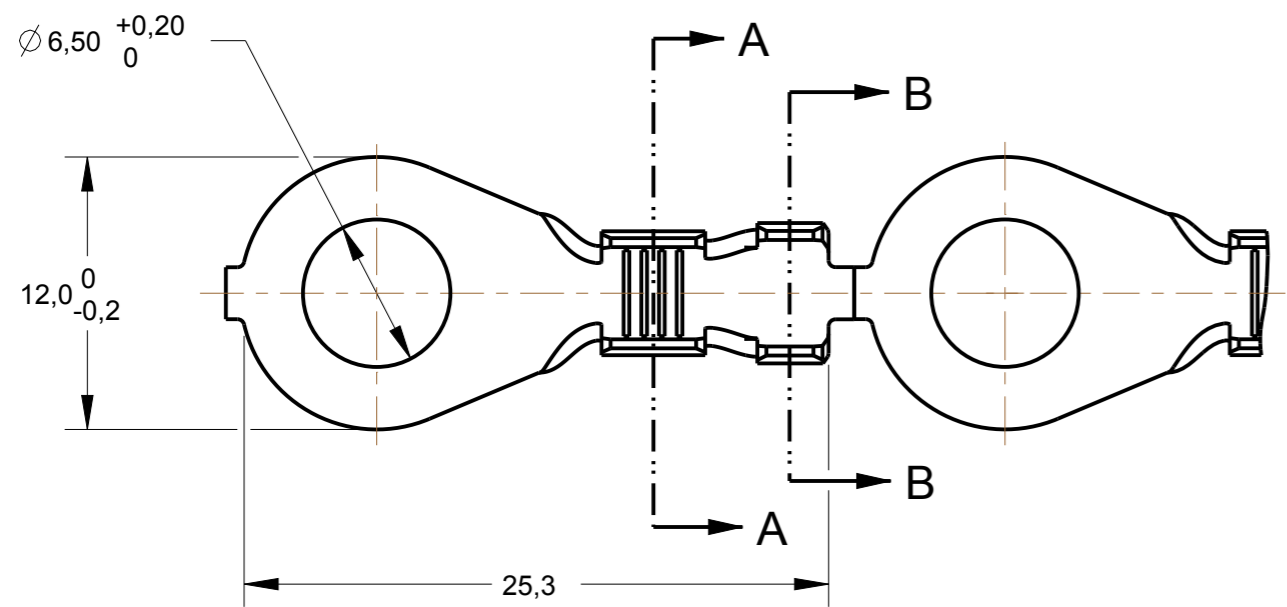
2

1

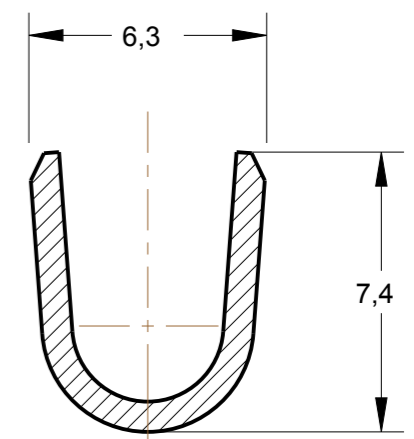
THIS DRAWING IS UNPUBLISHED. RELEASED FOR PUBLICATION 20
 © COPYRIGHT20 BY - ALL RIGHTS RESERVED.

LOC	DIST	REVISIONS			
P	LTR	DESCRIPTION	DATE	DWN	APVD
AP	-				
	G4	REDRAW AND REVISED ECO 13-015672	09OCT2013	HC	WLS
	G5	REV. BY ECO 15-014754	17FEB2016	HC	WLS
	G6	REVISED DRAWING ECO-17-008021	05JUN2017	NCL	DAO

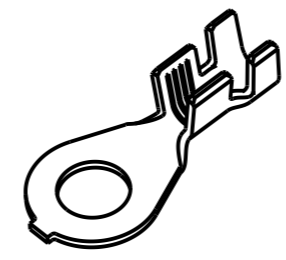
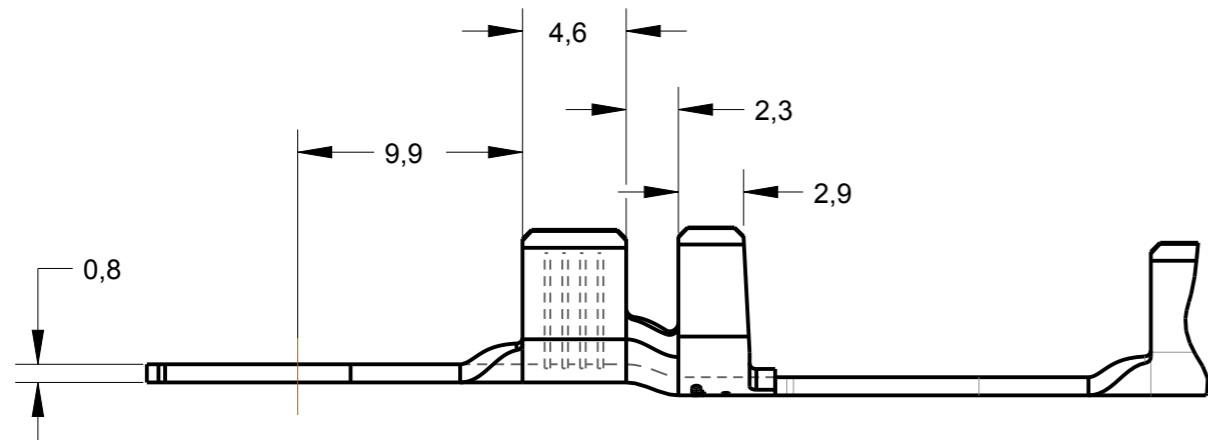
creo
 Creo Parametric 3.0
 DO NOT REVISE
 EXCEPT BY CAD



SECTION A-A
SCALE 5:1



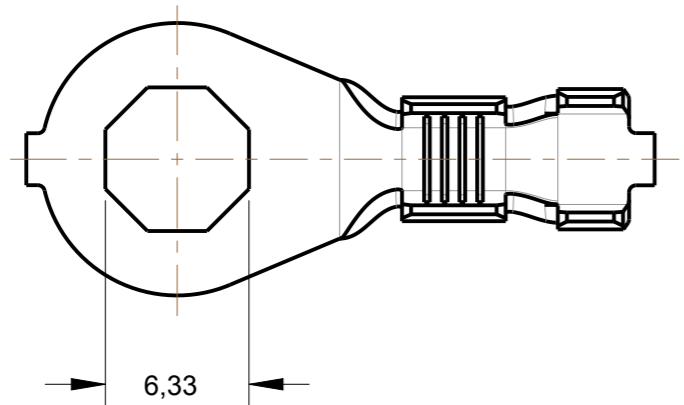
SECTION B-B
SCALE 5:1



PERSPECTIVE VIEW
SCALE 3:2

1 - BOBINAR COM PAPEL INTERCALADO
 - REELING WITH PAPER INTERLEAVE

626037-5
626037-6



OBSOLETE

IDW	WDW	INSUL. RANGE	WIRE RANGE	FINISH	MATERIAL	PART NO
16,26	14,22	∅ 3,2-5,3mm	4,0-6,0mm ²	-	PÓS ESTANHADO/ ELECTRO TIN PLATED	626037-6 1
					PLAIN	626037-5 1
					PÓS ESTANHADO/ ELECTRO TIN PLATED	626037-4 1
					BRONZE FOSFOROSO/PHOSP. BRONZE	626037-3
					PÓS ESTANHADO/ ELECTRO TIN PLATED	626037-2 1
					LATÃO / BRASS	626037-1 1

THIS DRAWING IS A CONTROLLED DOCUMENT.		DWN 08DEC2013 H.CANTERI	STE TE Connectivity	
		CHK 08DEC2013 W.L.STEFANI		
DIMENSIONS: mm		APVD -	NAME -	
TOLERANCES UNLESS OTHERWISE SPECIFIED:		PRODUCT SPEC -	RING TONGUE	
0 PLC ±-		APPLICATION SPEC -	SIZE A3	
1 PLC ±0,3		WEIGHT -	CAGE CODE 00779	DRAWING NO C-626037
2 PLC ±-		FINISH SEE TABLE	RESTRICTED TO -	
3 PLC ±-			SCALE 2:1	SHEET 1 OF 1
4 PLC ±-			REV G6	
ANGLES ±1°		Customer Drawing		

单击下面可查看定价，库存，交付和生命周期等信息

[>>TE Connectivity\(泰科\)](#)