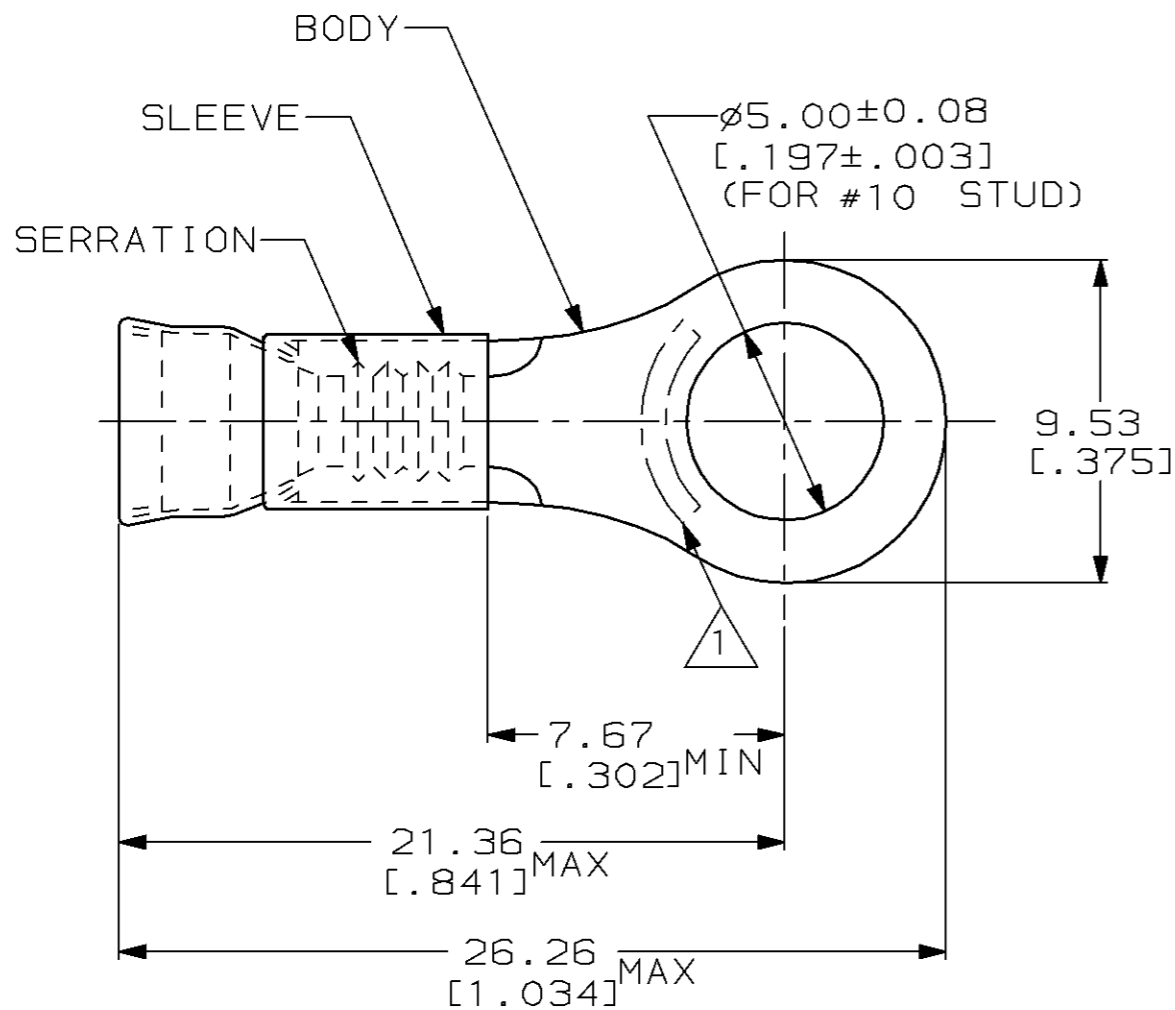


THIS DRAWING IS UNPUBLISHED. RELEASED FOR PUBLICATION, 19 .  
 © COPYRIGHT 19 BY AMP INCORPORATED. ALL RIGHTS RESERVED.

LOC	DIST	REVISIONS					
		P	LTR	DESCRIPTION	DATE	DWN	APVD
G	14		F	REV / 0L20-0197-97	21AUG97	ME	SB



- 1 STAMP AMP 12-10\* APPROX AS SHOWN
- 2 WIRE INSUL DIA, 3.81-5.84 [ $.150-.230$ ]
- 3 TONGUE MATL THK,  $0.99 \pm 0.05$  [ $.039 \pm .002$ ]

QTY	PACKAGE TYPE	PART NO
2500	ON TAPE, REEL	323068-1
500	LOOSE PIECE	323068

AMP INCORPORATED CUSTOMER SERVICE SYSTEM		MAX RECOMMENDED OPERATING TEMPERATURE: 343°C [650°F]	THIS DRAWING IS A CONTROLLED DOCUMENT FOR AMP INCORPORATED. IT IS SUBJECT TO CHANGE AND THE CONTROLLING ENGINEERING ORGANIZATION SHOULD BE CONTACTED FOR THE LATEST REVISION.		DWN L OLMEDA 100CT94 CHK M ELLIS 100CT94 APVD S BORTNER 100CT94	<b>AMP</b> AMP Incorporated Harrisburg, PA 17105-3608	
FOR ADDITIONAL PRODUCT INFORMATION OR COPIES OF DRAWINGS AND TECHNICAL DOCUMENTS	PRODUCT INFORMATION CENTER 1-800-522-6752	VOLTAGE RATING: -	DIMENSIONS: mm [in]	TOLERANCES UNLESS OTHERWISE SPECIFIED: 0 PLC ±- 1 PLC ±- 2 PLC ±0.20 [.008] 3 PLC ±- 4 PLC ±- ANGLES ±-	PRODUCT SPEC - APPLICATION SPEC - WEIGHT -	NAME TERMINAL, RING TONGUE, STRATO-THERM™, DIAMOND GRIP™, WIRE SIZE, 12-10 AWG	
FOR APPLICATION TOOLING INFORMATION	TOOLING ASSISTANCE CENTER 1-800-722-1111	CIRCULAR MIL AREA: 2.62mm <sup>2</sup> -6.64mm <sup>2</sup> [5180-13100]	MATERIAL BODY, CU PER ASTM B152 SLEEVE, NI SIL PER ASTM B122		FINISH BODY, NP, QQ-N-290		SIZE A3 CAGE CODE 00779 DRAWING NO C-323068
FOR ORDER ENTRY	1-800-526-5142	STRANDED WIRE	CUSTOMER DRAWING		SCALE 4:1 SHEET 1 OF 1 REV F		

单击下面可查看定价，库存，交付和生命周期等信息

[>>TE Connectivity\(泰科\)](#)