

THIS DRAWING IS UNPUBLISHED. RELEASED FOR PUBLICATION AUGUST, 2006.  
 © COPYRIGHT 2006 BY TYCO ELECTRONICS CORPORATION. ALL RIGHTS RESERVED.

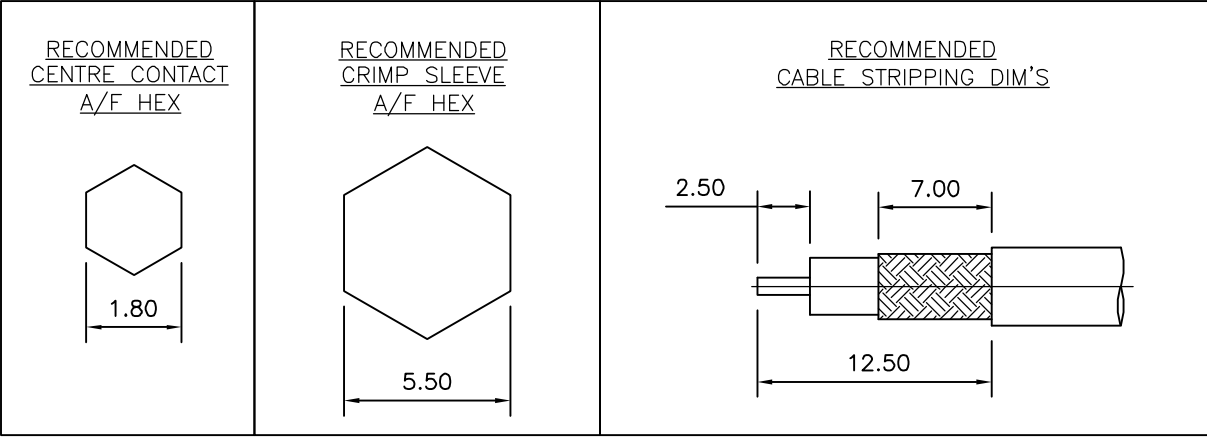
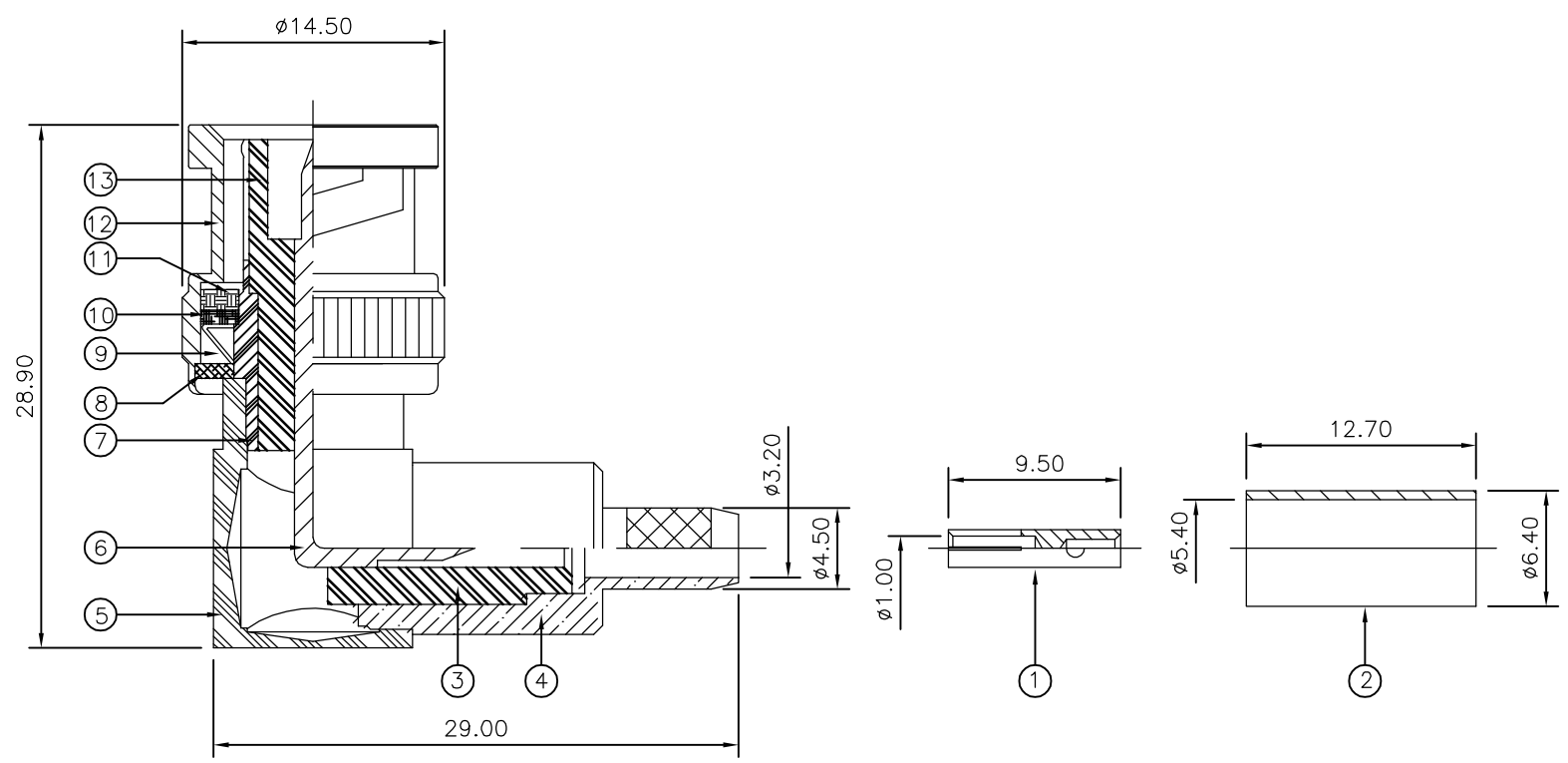
LOC	DIST	REVISIONS					
E	B	P	LTR	DESCRIPTION	DATE	DWN	APVD
		C		ECR-06-018891	25AUG06	JMS	FWK

- NOTES:
- 1 PACK IN ACCORDANCE WITH AMP SPEC 107-3275
  - 2 100 TRAY PACK IN ACCORDANCE WITH AMP SPEC 107-3275
  - 3 Au PLATING
  - 4 Ni PLATING
  - 5 THIS ITEM MUST BE WHITE
  - 6 HAND TOOL : 9-1478240-0
  - 7 DIE SET : 9-1478242-0
  - 8 ELECTRICAL CHARACTERISTICS
 

FREQUENCY RANGE:	DC - 4 GHz
NOMINAL IMPEDANCE:	50 Ohm
INSULATION RESISTANCE:	5000 MOhm
WORKING VOLTAGE:	500 Volts RMS at Sea Level
DIELECTRIC WITHSTAND VOLTAGE:	1500 Volts RMS Max
CONTACT RESISTANCE:	
CENTRE CONTACT:	1.50 mOhm Max
OUTER CONTACT:	0.20 mOhm Max
VSWR @ 4GHz:	1.35:1 Max
INSERTION LOSS dB @ x 3 GHz:	0.30 Max
  - 9 MECHANICAL CHARACTERISTICS
 

COUPLING RETENTION FORCE:	445N Min
CABLE RETENTION FORCE:	170N Min
DURABILITY:	500 Cycles Min
  - 10 ENVIRONMENTAL CHARACTERISTICS
 

OPERATING TEMPERATURE:	-65 to +165 DegC
------------------------	------------------
  - 11 FOR TECHNICAL DATA REFER TO YOUR LOCAL TYCO ELECTRONICS SALES OFFICE
  - 12 ALL DIMENSIONS ARE NOMINAL FOR REFERENCE ONLY UNLESS OTHERWISE STATED



QTY	QTY	QTY	MATERIAL	DESCRIPTION	ITEM
1	1		PTFE	INSULATION	13
1	1		BRASS	4 SHELL	12
1	1		SILICON RUBBER	5 GASKET	11
1	1		BRASS	4 WASHER	10
1	1		SPRING STEEL	4 SPRING	9
1	1		BRASS	4 WASHER	8
1	1		BRASS	4 BODY 2	7
1	1		BRASS	3 CONTACT II	6
1	1		BRASS	4 BODY 1	5
1	1		BRASS	4 CHASSIS	4
1	1		PTFE	INSULATION	3
1	1		BRASS	4 FERRULE	2
1	1		BRASS	3 CONTACT I	1
6--0	1--0		MATERIAL	DESCRIPTION	ITEM

THIS DRAWING IS A CONTROLLED DOCUMENT.		DWN	J.SANDWELL	25AUG06	Tyco Electronics Corporation Bideford EX39 4HE														
DIMENSIONS: mm		CHK	S.PARLOW	25AUG06															
TOLERANCES UNLESS OTHERWISE SPECIFIED:		APVD	F.WHEELER-KING	25AUG06															
<table border="0"> <tr><td>0 PLC</td><td>± -</td></tr> <tr><td>1 PLC</td><td>± -</td></tr> <tr><td>2 PLC</td><td>± -</td></tr> <tr><td>3 PLC</td><td>± -</td></tr> <tr><td>4 PLC</td><td>± -</td></tr> <tr><td>ANGLES</td><td>± -</td></tr> <tr><td>FINISH</td><td>± -</td></tr> </table>		0 PLC	± -	1 PLC		± -	2 PLC	± -	3 PLC	± -	4 PLC	± -	ANGLES	± -	FINISH	± -	PRODUCT SPEC	NAME	
0 PLC	± -																		
1 PLC	± -																		
2 PLC	± -																		
3 PLC	± -																		
4 PLC	± -																		
ANGLES	± -																		
FINISH	± -																		
MATERIAL SEE TABLE		APPLICATION SPEC	SIZE		RESTRICTED TO														
		WEIGHT	411-3247		A3 00779 C-1337544														
		CUSTOMER DRAWING			SCALE NTS	SHEET 1 OF 1	REV C												

单击下面可查看定价，库存，交付和生命周期等信息

[>>TE Connectivity\(泰科\)](#)