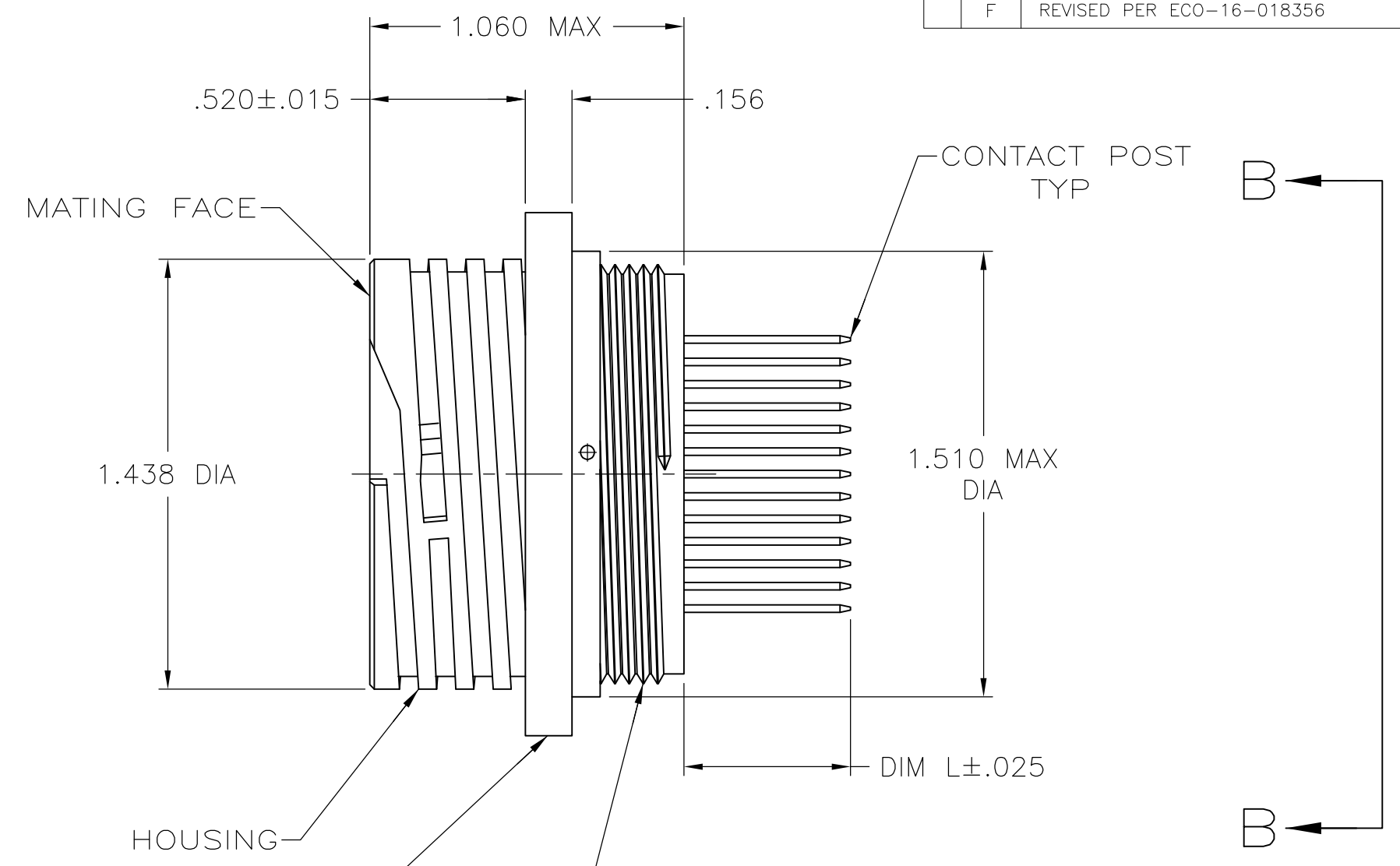
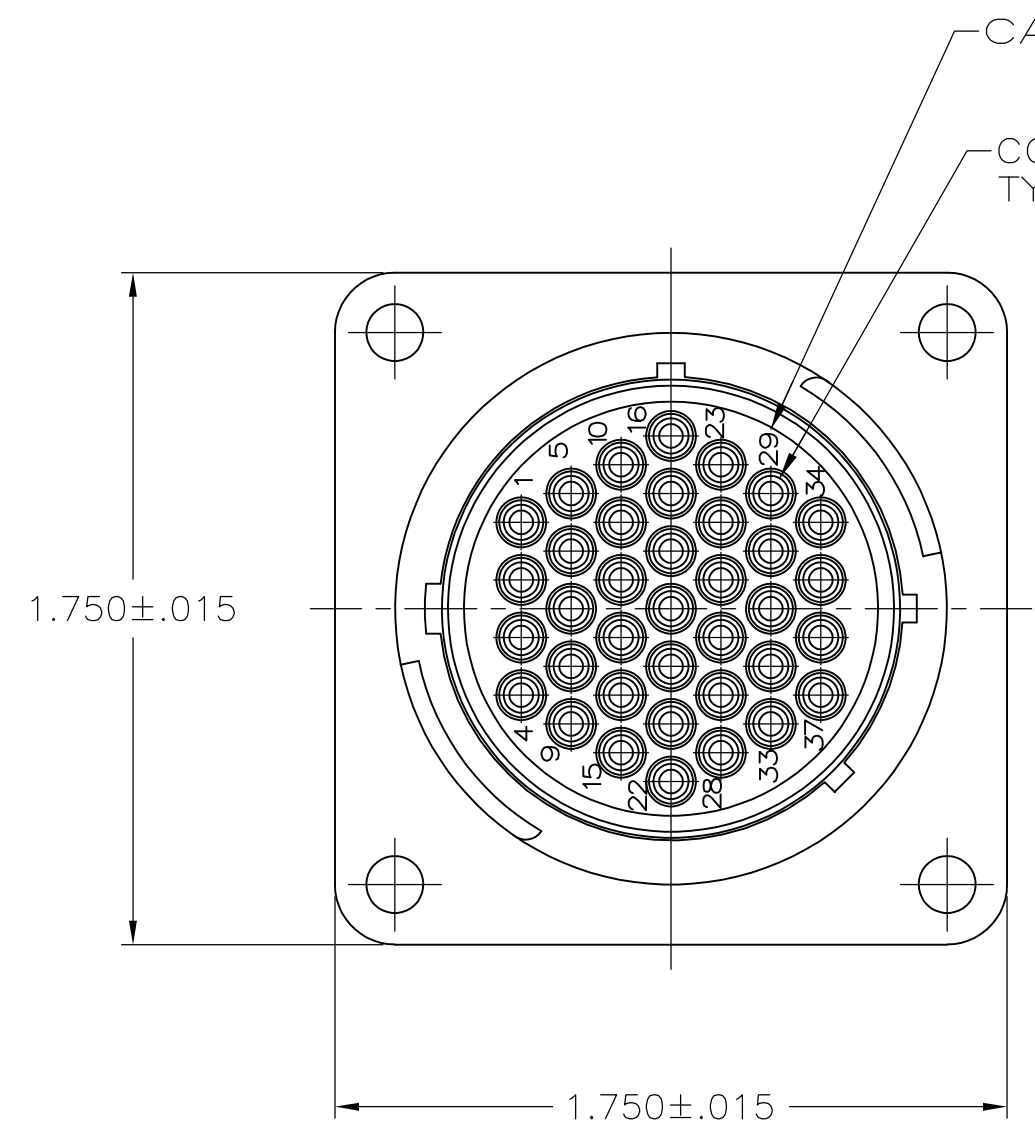


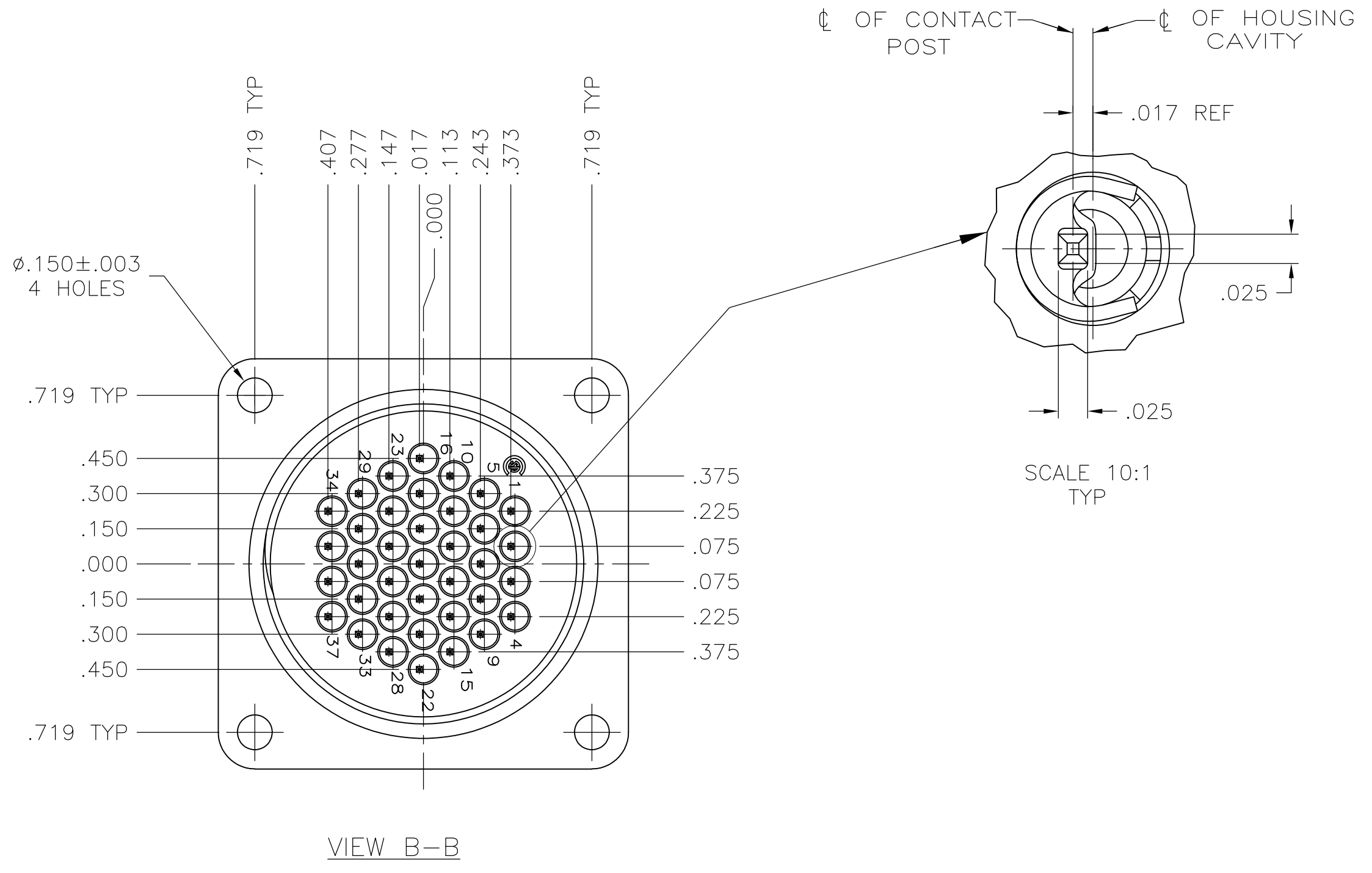
THIS DRAWING IS UNPUBLISHED. RELEASED FOR PUBLICATION
 © COPYRIGHT - By - ALL RIGHTS RESERVED.

REVISIONS				
P	LTR	DESCRIPTION	DATE	APVD
E1		REVISED PER ECO-16-004800	08SEP2016	NK MZ
F		REVISED PER ECO-16-018356	22MAR2017	RS MZ



PART NUMBER AND DATE CODE MARKED ON ANY FLANGE EDGE
 1 3/8-18 UNEF-2A

- 1 NYLON, UL 94V-0 RATED, BLACK.
- 2 STAINLESS STEEL.
- 3 BRASS.
- 4 CONTACT BODY: .000030 MIN GOLD FOR A LENGTH OF .200 MIN FROM MATING END. GOLD FLASH ON REMAINDER, BOTH OVER .000030 MIN NICKEL. CONTACT POST: .000100 MIN TIN-LEAD OVER .000050 MIN NICKEL.
- 5 RECOMMENDED PC BOARD HOLE SIZE FOR CONTACT POST = .035±.003 DIA.
- 6 CONTACT BODY: .000030 MIN GOLD FOR A LENGTH OF .200 MIN FROM MATING END. GOLD FLASH ON REMAINDER, BOTH OVER .000030 MIN NICKEL. CONTACT POST: .000100 MIN TIN OVER .000050 MIN NICKEL.
- 7 SELECT LOAD: NO CONTACTS LOADED IN POSITIONS 10 AND 32.



DIM L	CONTACT FINISH	PERIPHERAL SEAL	PART NUMBER
.490	6	NO	213856-7
	4	NO	213856-6
.557	6	NO	213856-4
	4	YES	213856-2
	4	NO	213856-1

THIS DRAWING IS A CONTROLLED DOCUMENT.

DWN: D.HARDY 01-03-95
 CHK: R.STONE 01-09-95

TE Connectivity

RECEPTACLE ASSEMBLY, POSTED, REVERSE SEX, 23-37, CPC

108-10024
 114-10038

SIZE: A2 CAGE CODE: 00779 DRAWING NO: C=213856

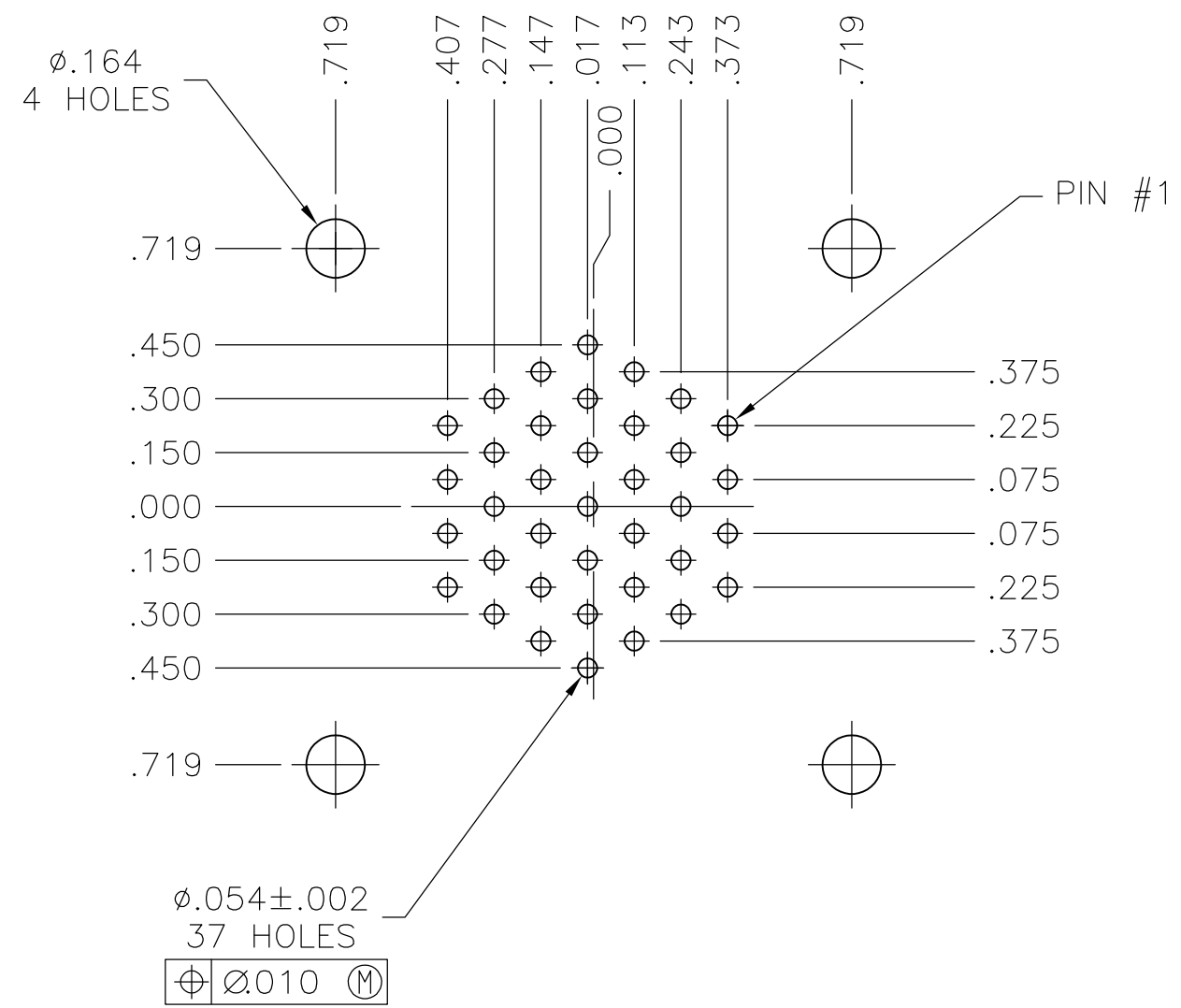
SCALE: 2:1 SHEET: 1 of 2 REV: F

MATERIAL: HOUSING: 1 CONTACT SPRING: 2 CONTACT BODY & POST: 3
 FINISH: CONTACT: 4

TOLERANCES UNLESS OTHERWISE SPECIFIED:
 0 PLC ± -
 1 PLC ± -
 2 PLC ± -
 3 PLC ± .010
 4 PLC ± -
 ANGLES ± -

THIS DRAWING IS UNPUBLISHED. RELEASED FOR PUBLICATION
 © COPYRIGHT - By - ALL RIGHTS RESERVED.

REVISIONS				
P	LTR	DESCRIPTION	DATE	APVD
-	-	SEE SHEET 1	-	-



RECOMMENDED P.C. BOARD LAYOUT

THIS DRAWING IS A CONTROLLED DOCUMENT.		DWN D.HARDY 01-03-95			
DIMENSIONS: INCHES		CHK R.STONE 01-09-95			
		APVD -	NAME		
TOLERANCES UNLESS OTHERWISE SPECIFIED: 0 PLC ± - 1 PLC ± - 2 PLC ± .010 3 PLC ± - 4 PLC ± - ANGLES ± -		PRODUCT SPEC 108-10024	RECEPTACLE ASSEMBLY, POSTED, REVERSE SEX, 23-37, CPC		
MATERIAL HOUSING: CONTACT SPRING: CONTACT BODY & POST:		APPLICATION SPEC 114-10038	SIZE A2	CAGE CODE 00779	DRAWING NO C-213856
FINISH CONTACT:		WEIGHT -	RESTRICTED TO -		
CUSTOMER DRAWING		SCALE 2:1	SHEET 2 OF 2	REV F	

单击下面可查看定价，库存，交付和生命周期等信息

[>>TE Connectivity\(泰科\)](#)