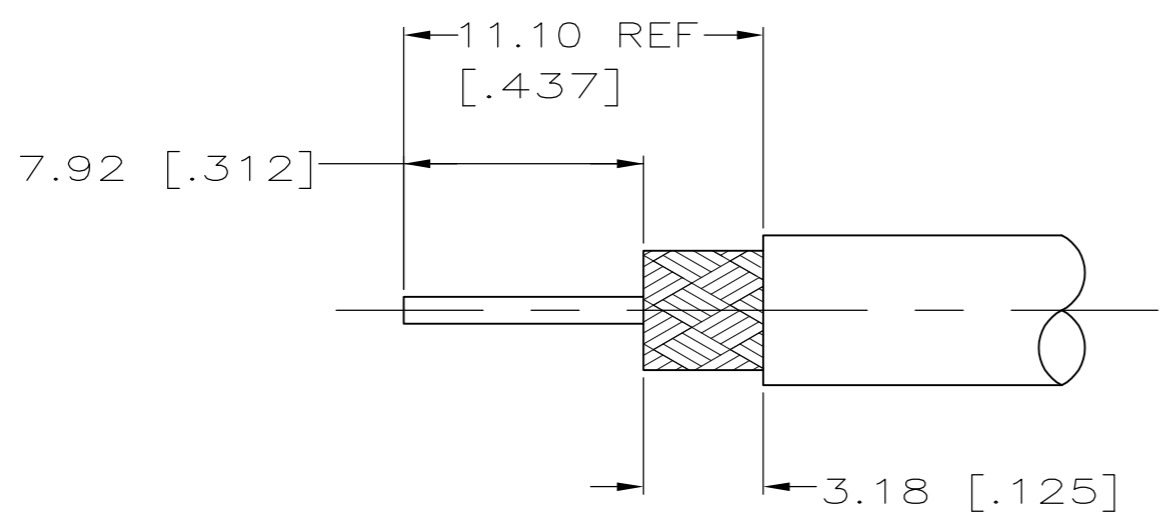
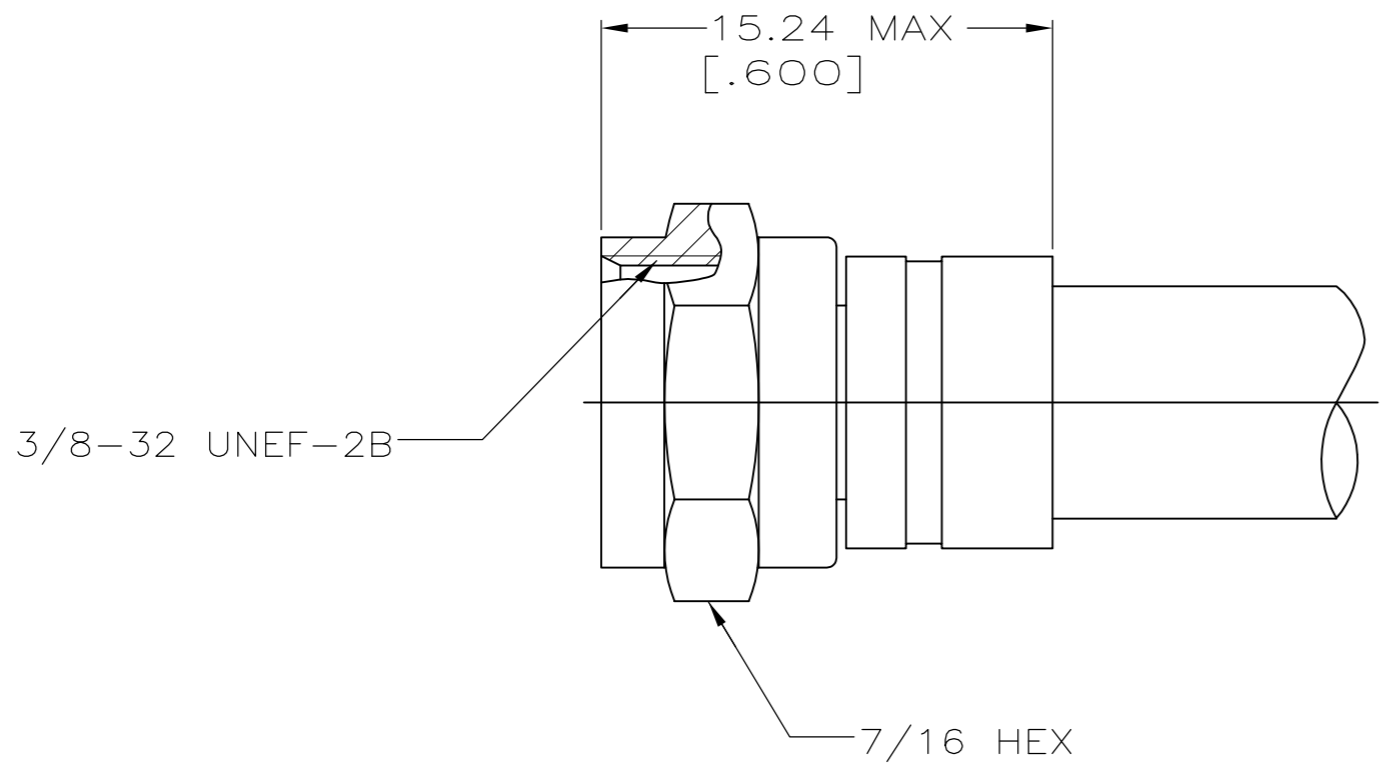


THIS DRAWING IS UNPUBLISHED. RELEASED FOR PUBLICATION
 © COPYRIGHT BY TYCO ELECTRONICS CORPORATION. ALL RIGHTS RESERVED.

LOC	DIST	REVISIONS					
		P	LTR	DESCRIPTION	DATE	DWN	APVD
AJ	16		G	REVISED PER EC 0514-0456-04	13DEC05	BL	JL
			G1	REVISED PER ECO-10-000030	04JAN10	KK	AEG



RECOMMENDED STRIP LENGTH

- ① BRASS PER QQ-B-626
- ② NICKEL PL PER QQ-N-290
- ③ FOR USE WITH RG-59/U CABLE
- ④ FOR USE WITH RG-6/U CABLE
- ⑤ PACKAGED 10 PER BAG IN WINDOW BOX
- ⑥ PACKAGED 100 PER DISPLAY BAG

OBSOLETE	④	⑥	221539-8
	④	⑤	221539-7
OBSOLETE	③	⑥	221539-6
OBSOLETE	③	⑤	221539-5
OBSOLETE	④		221539-2
SUPERSEDED BY 414766-8	③		221539-1
		CABLE	PART NUMBER

THIS DRAWING IS A CONTROLLED DOCUMENT.		DWN	J.SHAFER	11-29-88	Tyco Electronics Corporation Harrisburg, PA 17105-3608
DIMENSIONS: INCHES		CHK	P.YEAGER	12-2-88	
TOLERANCES UNLESS OTHERWISE SPECIFIED:		APVD		NAME	
0 PLC	± -	PRODUCT SPEC		CONNECTOR, COAXIAL, RF PLUG, SERIES F	
1 PLC	± -	APPLICATION SPEC		SIZE	
2 PLC	± 0.41 [.016]	WEIGHT		CAGE CODE	
3 PLC	± -	CUSTOMER DRAWING		DRAWING NO	
4 PLC	± -	SCALE		RESTRICTED TO	
ANGLES	± -	SHEET		REV	
MATERIAL	①	FINISH		②	
		SCALE		4:1	
		SHEET		1 of 1	
		REV		G1	

221539

单击下面可查看定价，库存，交付和生命周期等信息

[>>TE Connectivity\(泰科\)](#)