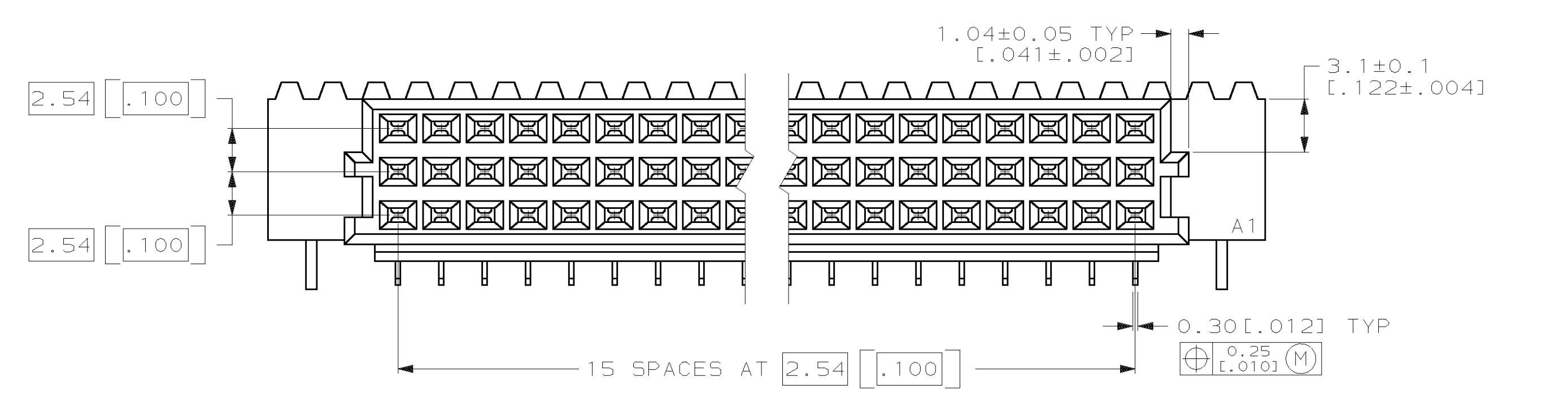
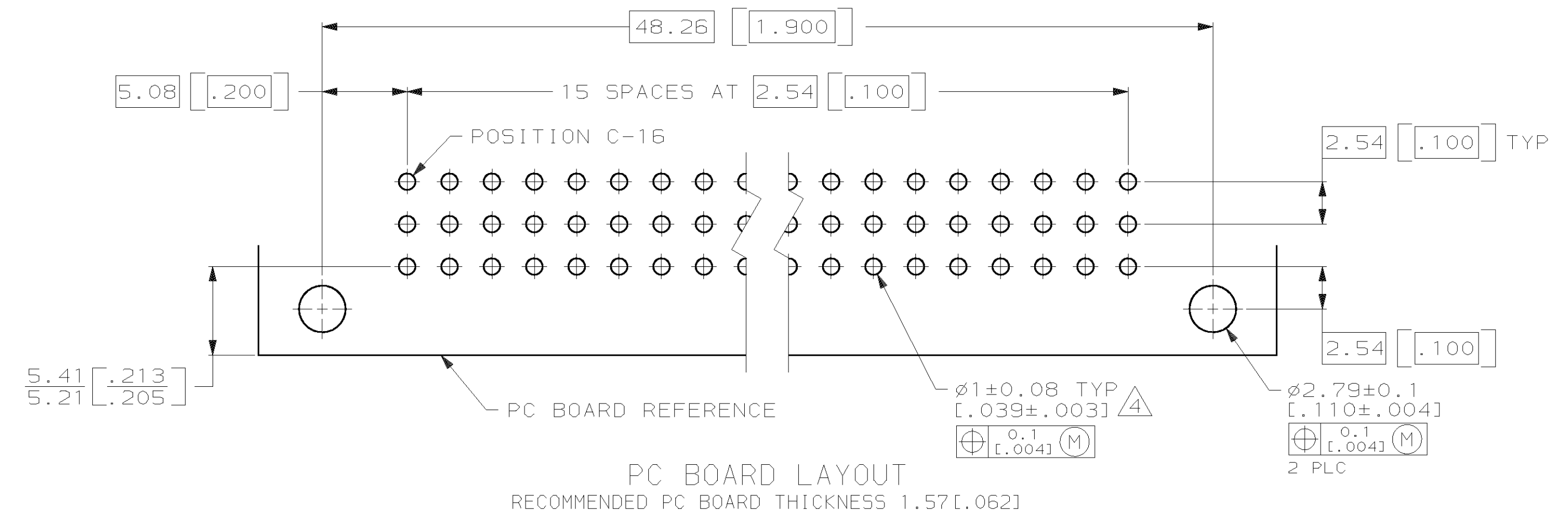
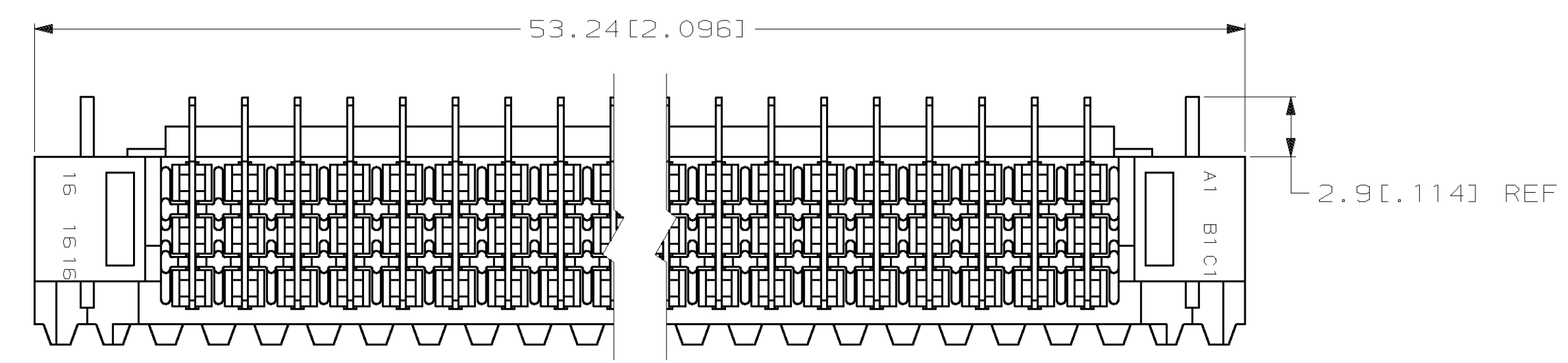
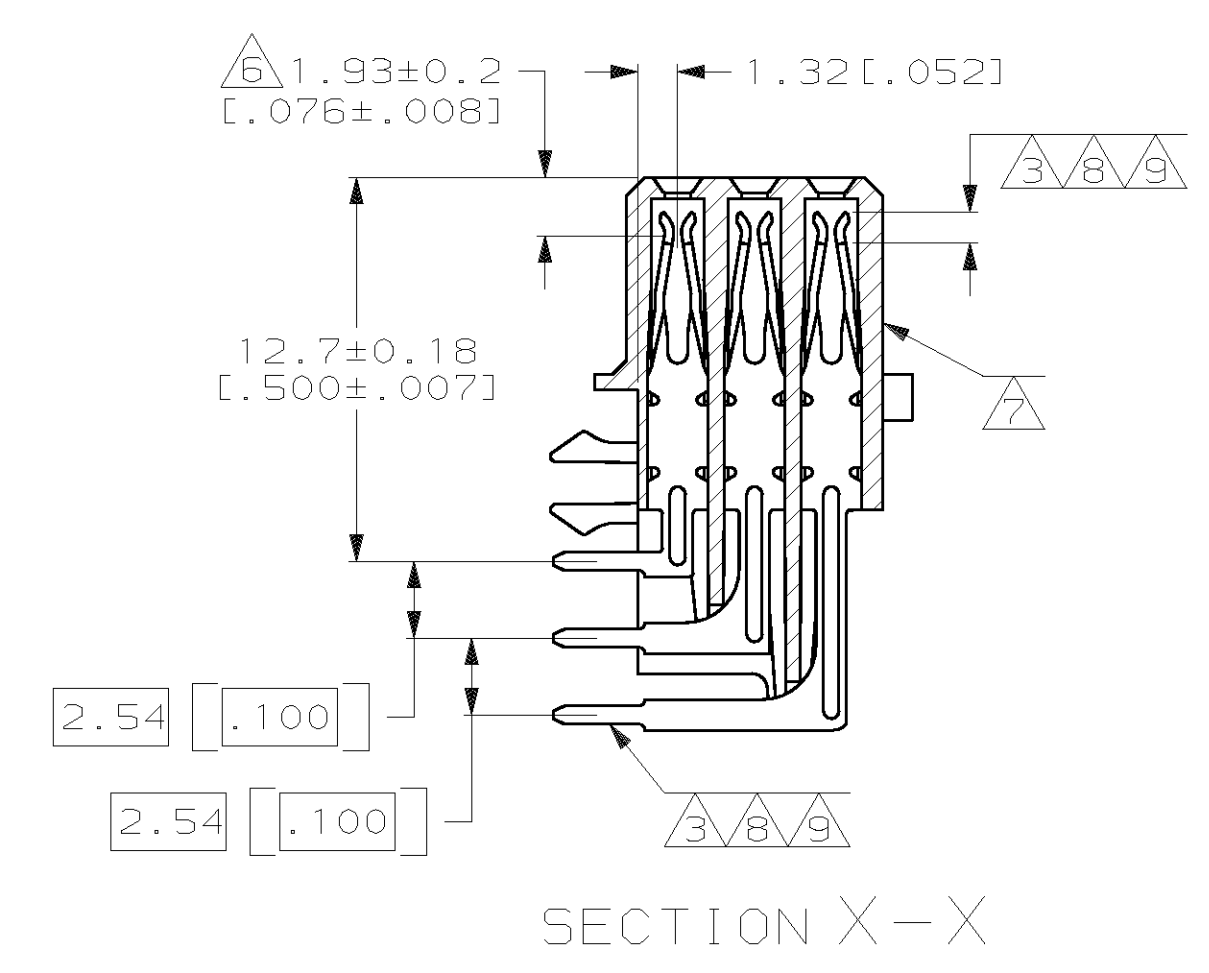
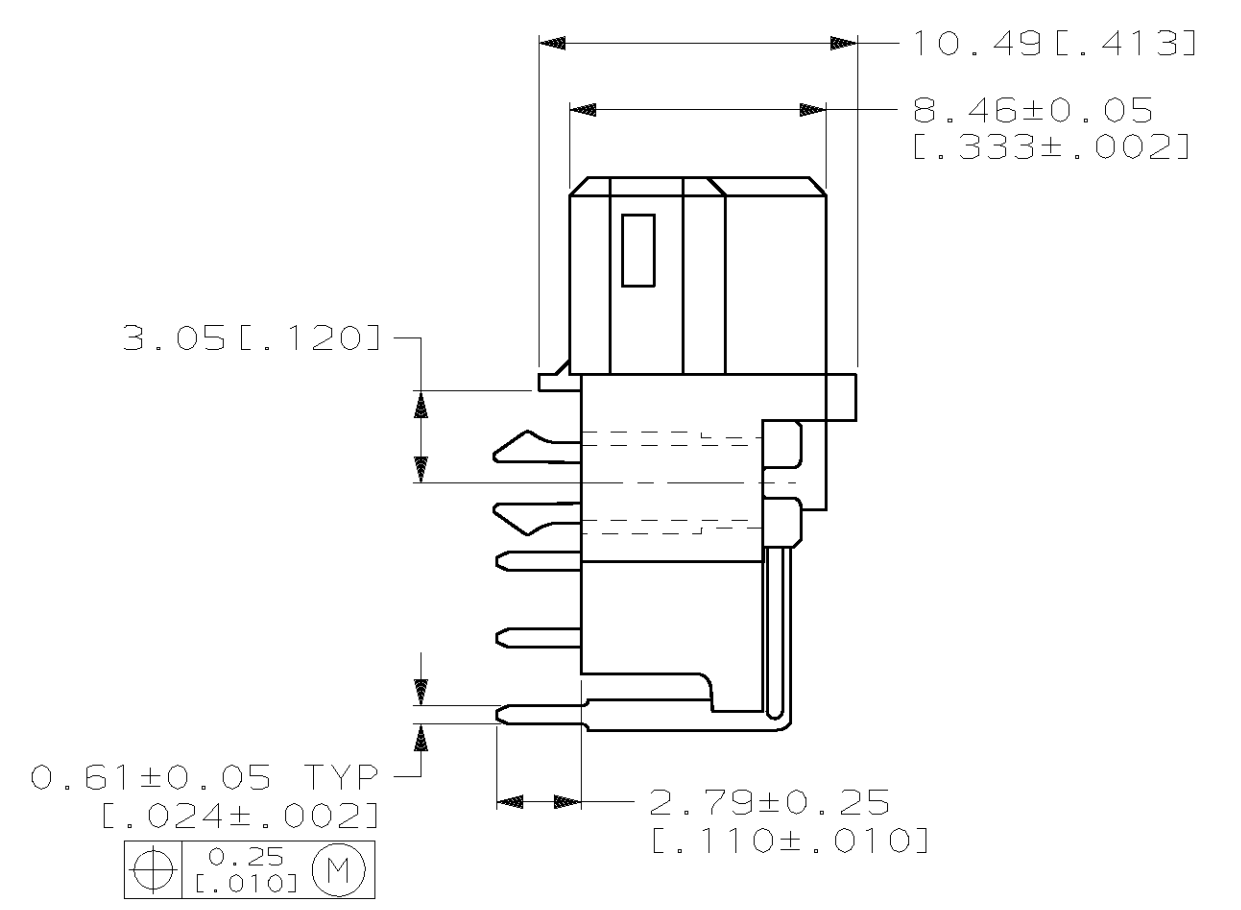
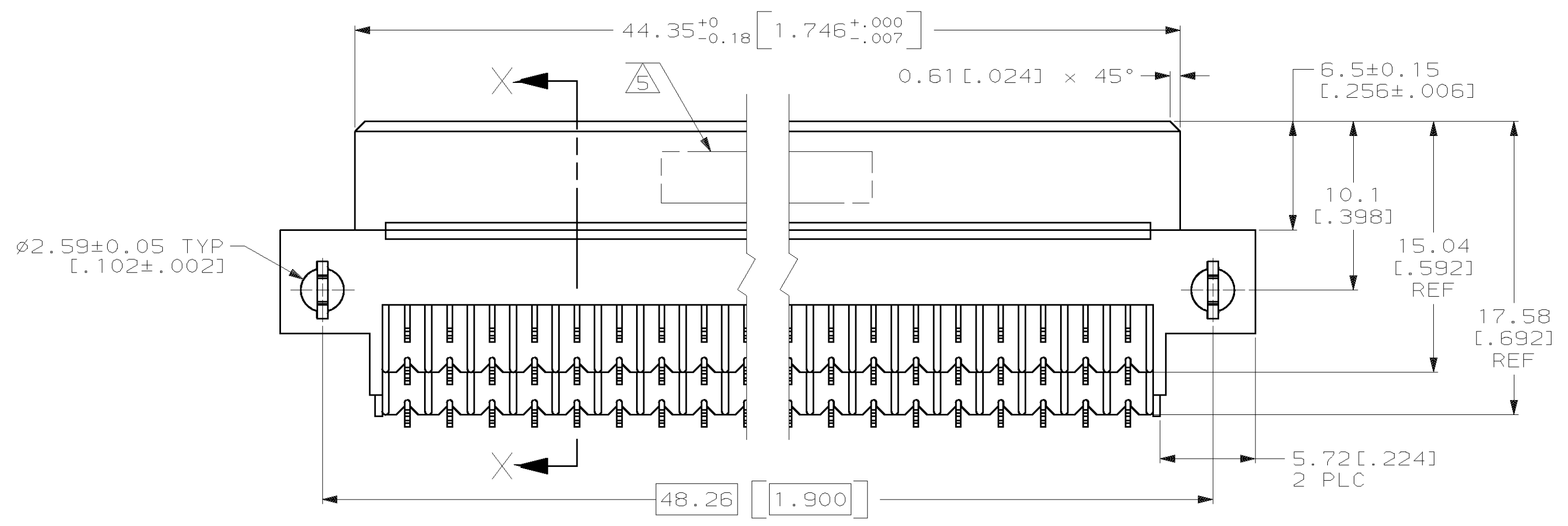


LOC		DIST		REV		REVISIONS		DATE	APPD
AD	25	P	F	ZONE	LTR	DESCRIPTION			
				N	REV PER EC	0512-0016-03		09JAN04	AS



- △ HOUSING MATERIAL: GLASS-FILLED POLYESTER. COLOR: GRAY.
- △ CONTACT MATERIAL: PHOSPHOR BRONZE.
- △ CONTACT FINISH: 0.00076 [.000030] GOLD IN CONTACT AREA. 0.00127 [.000050] NICKEL UNDERPLATE ALL OVER. TIN-LEAD ON POSTS.
- △ RECOMMENDED HOLE SIZE FOR MANUAL APPLICATION OF CONNECTOR ONTO PC BOARD. APPROXIMATE AREA.
- △ PART NUMBER, DATE CODE IDENTIFICATION, CSA LOGO HOT-STAMPED THIS SIDE.
- △ CONTACT POINT.
- △ HOT-STAMPING ON THIS SIDE.
- △ POST FINISH: DIN 41612 CLASS 3 IN CONTACT AREA. TIN-LEAD PLATE ON POSTS.
- △ POST FINISH: DIN 41612 CLASS 2 IN CONTACT AREA. TIN-LEAD PLATE ON POSTS.



NOTES	POSITIONS LOADED	ROWS LOADED			NO. OF LOADED POSITIONS	PART NUMBER
		C	B	A		
OBSOLETE	1-16	X	X	X	48	650893-9
	1-16	X	X	X	48	650893-5
	1-16	X	X	X	48	650893-4

DO NOT SCALE PRINT. UNLESS SPECIFIED DIMENSIONS IN mm [INCHES] TOLERANCES ON:	DR L. BRINER 10/16/90	AMP INCORPORATED Harrisburg, Pa. 17105
1 PLC DEC ± -	CHK N. DRASHER 10/24/90	
2 PLC DEC ± 0.131(.005)	APPD N. DRASHER 10/24/90	NAME
ANGLES ± -	APPD K.R. PARMER 10/25/90	RECEPTACLE ASSEMBLY, EUROCARD, TYPE .5R WITH BOARD LOCKS
MATERIAL	PRODUCT SPEC -	SIZE
HOUSING: △	APPLICATION SPEC -	D 00779
CONTACT: △	WEIGHT -	SCALE 4:1
FINISH		DRAWING NO 650893
CONTACT: △△△		SHEET 1 OF 1

单击下面可查看定价，库存，交付和生命周期等信息

[>>TE Connectivity\(泰科\)](#)