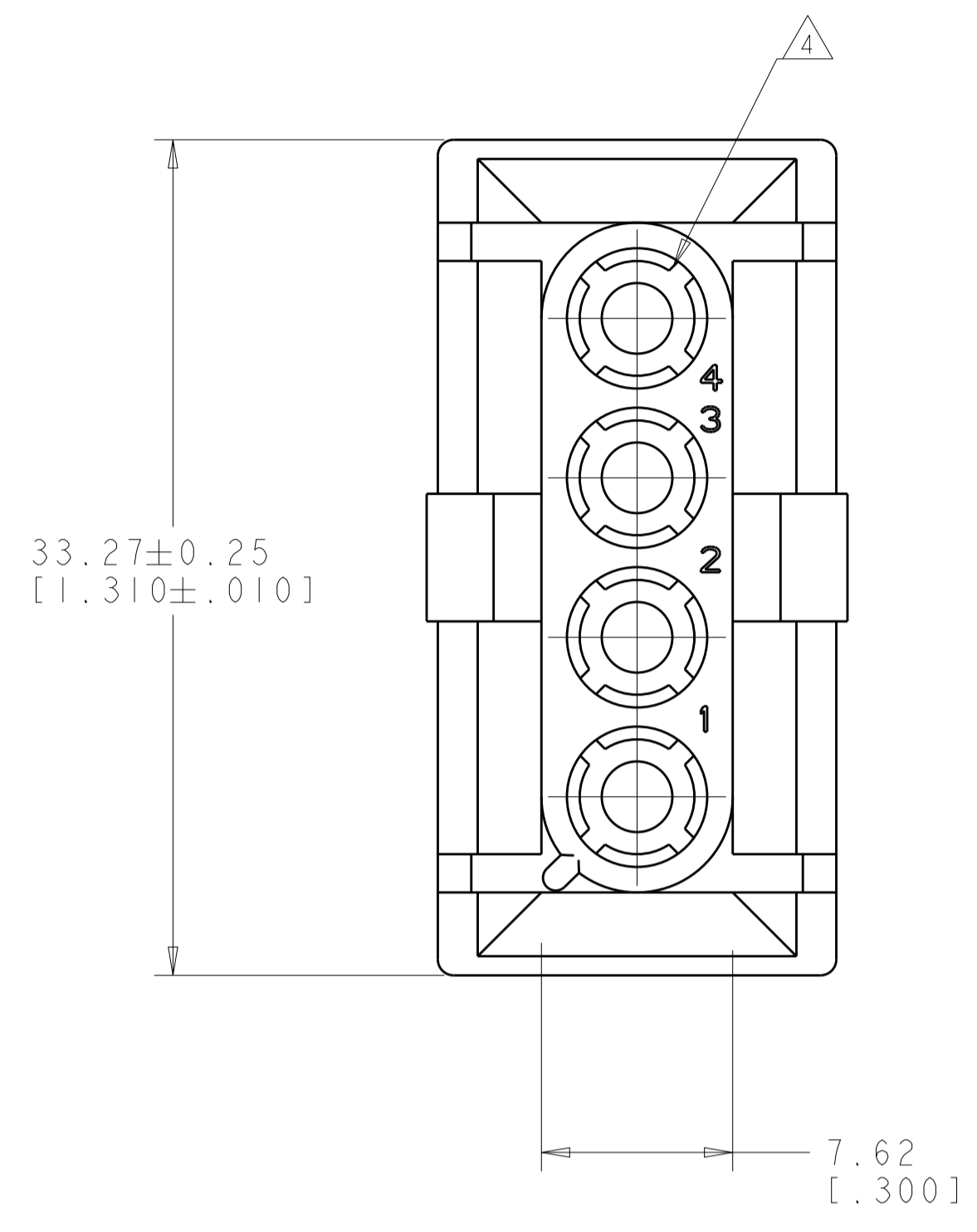
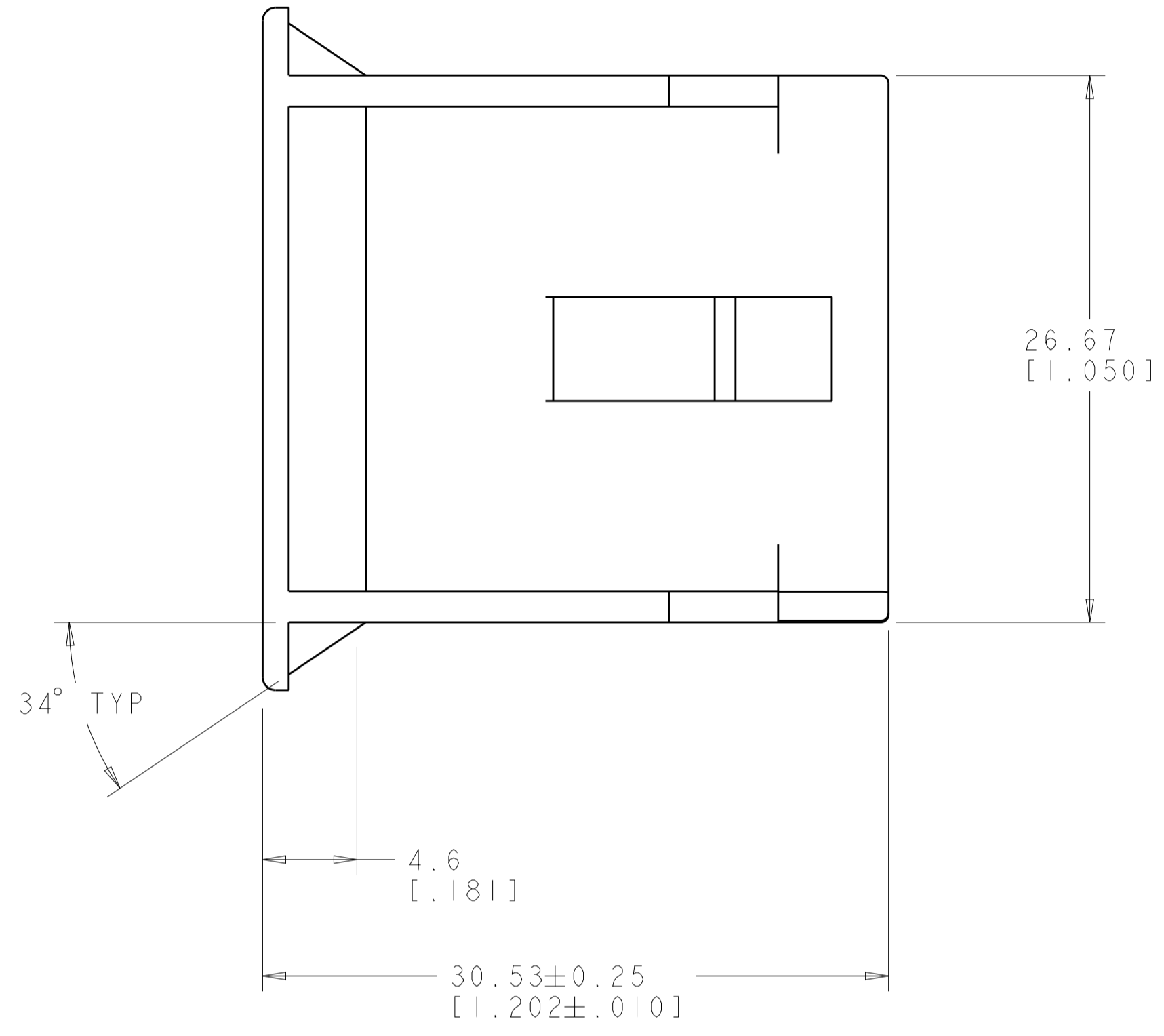
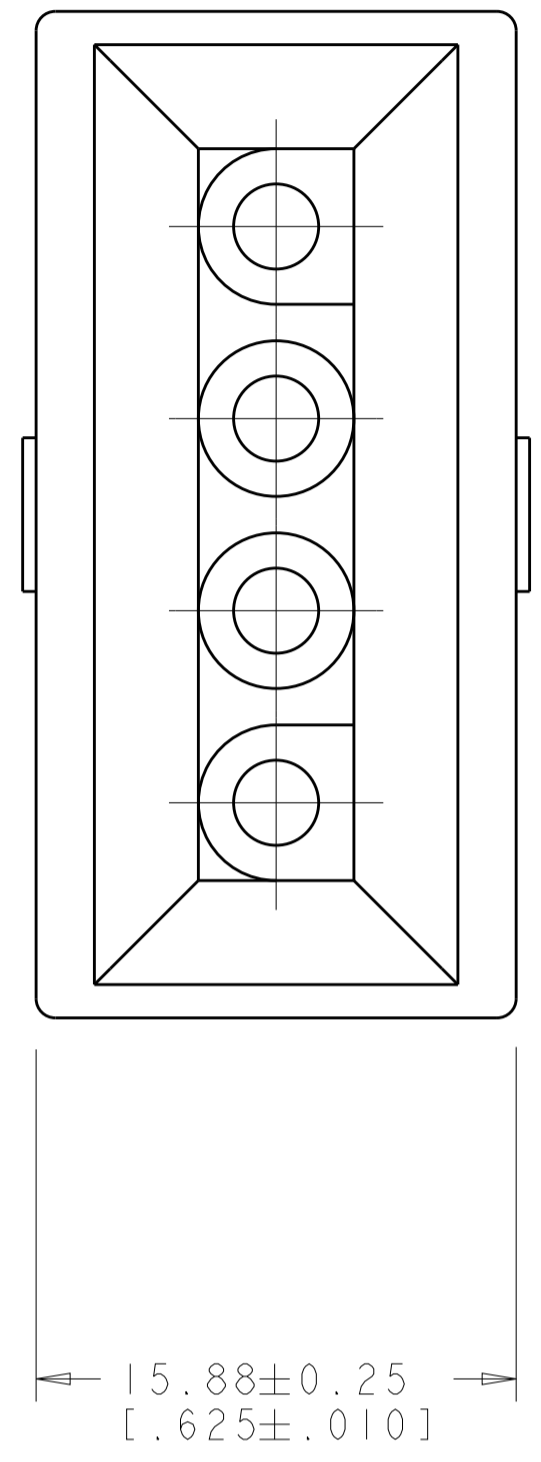
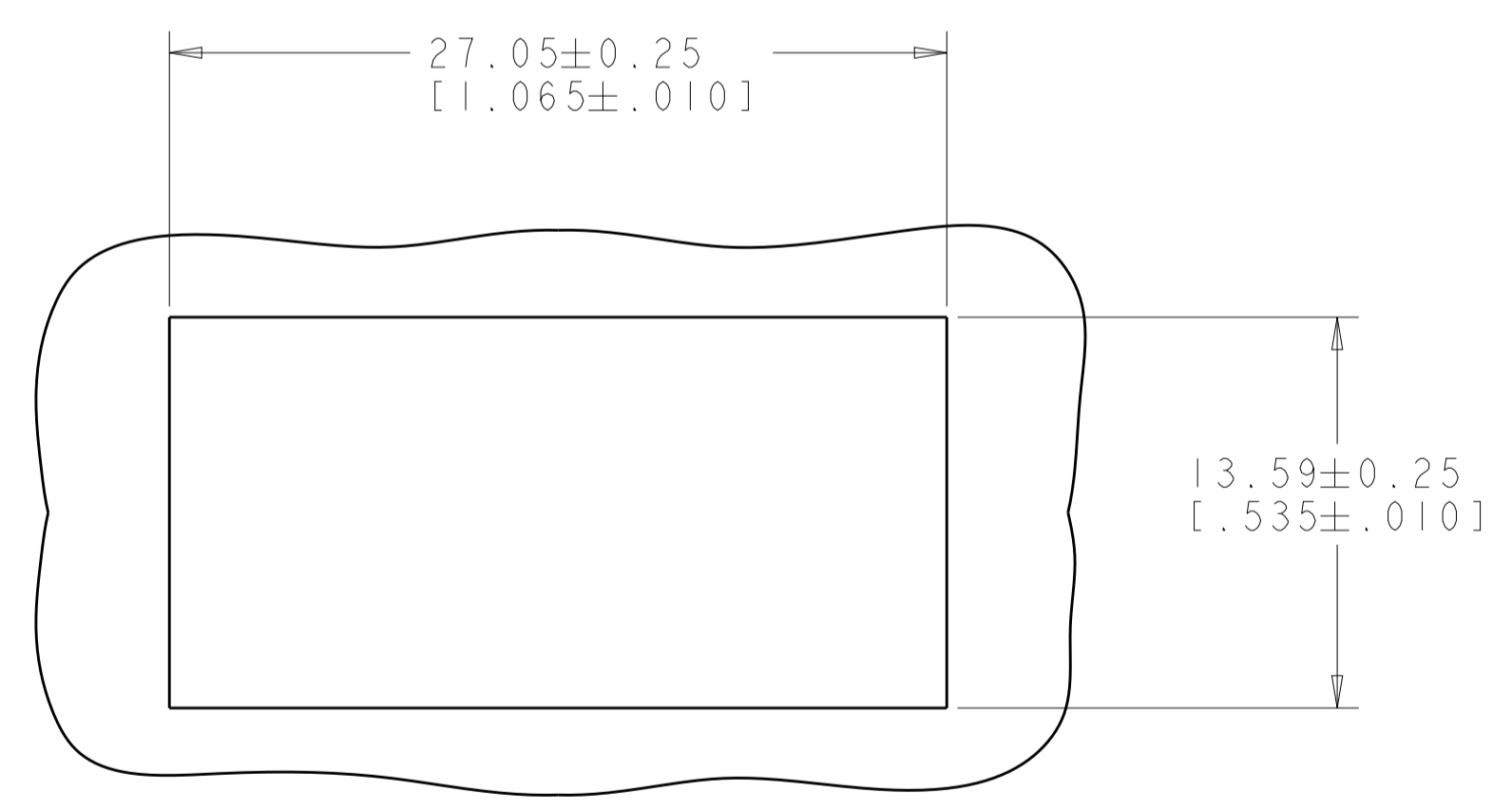
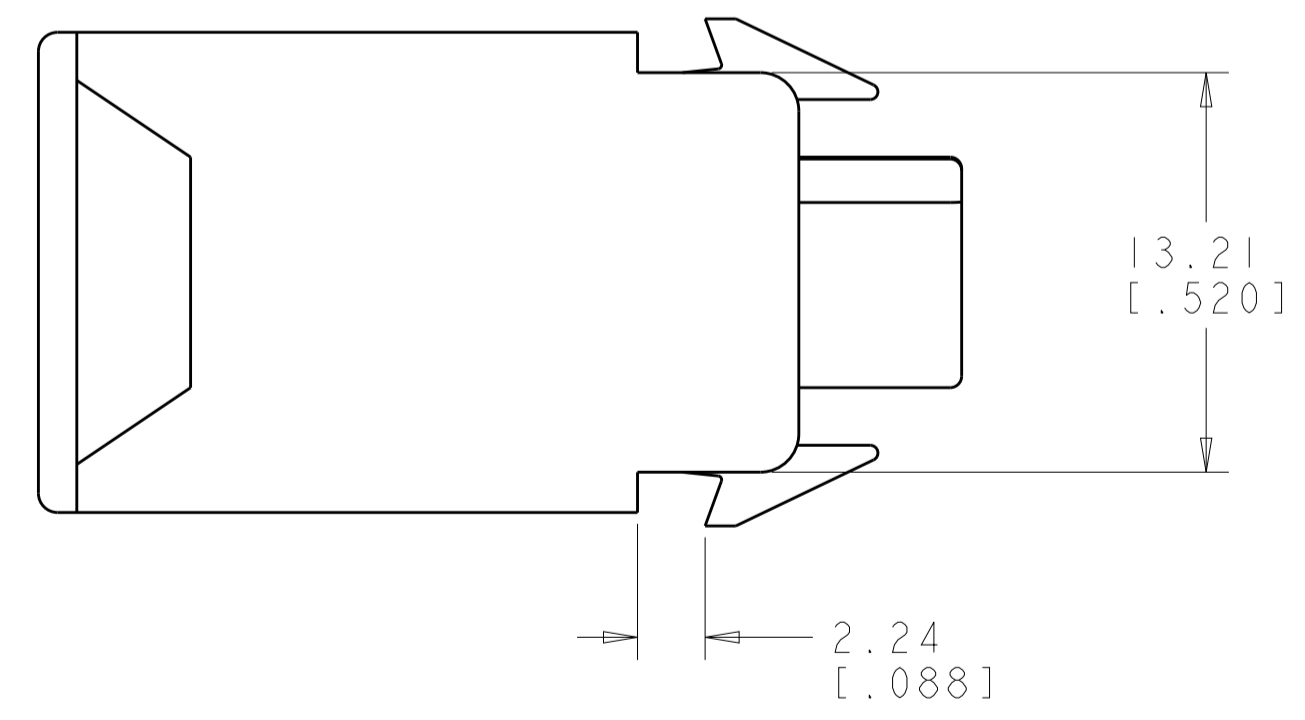
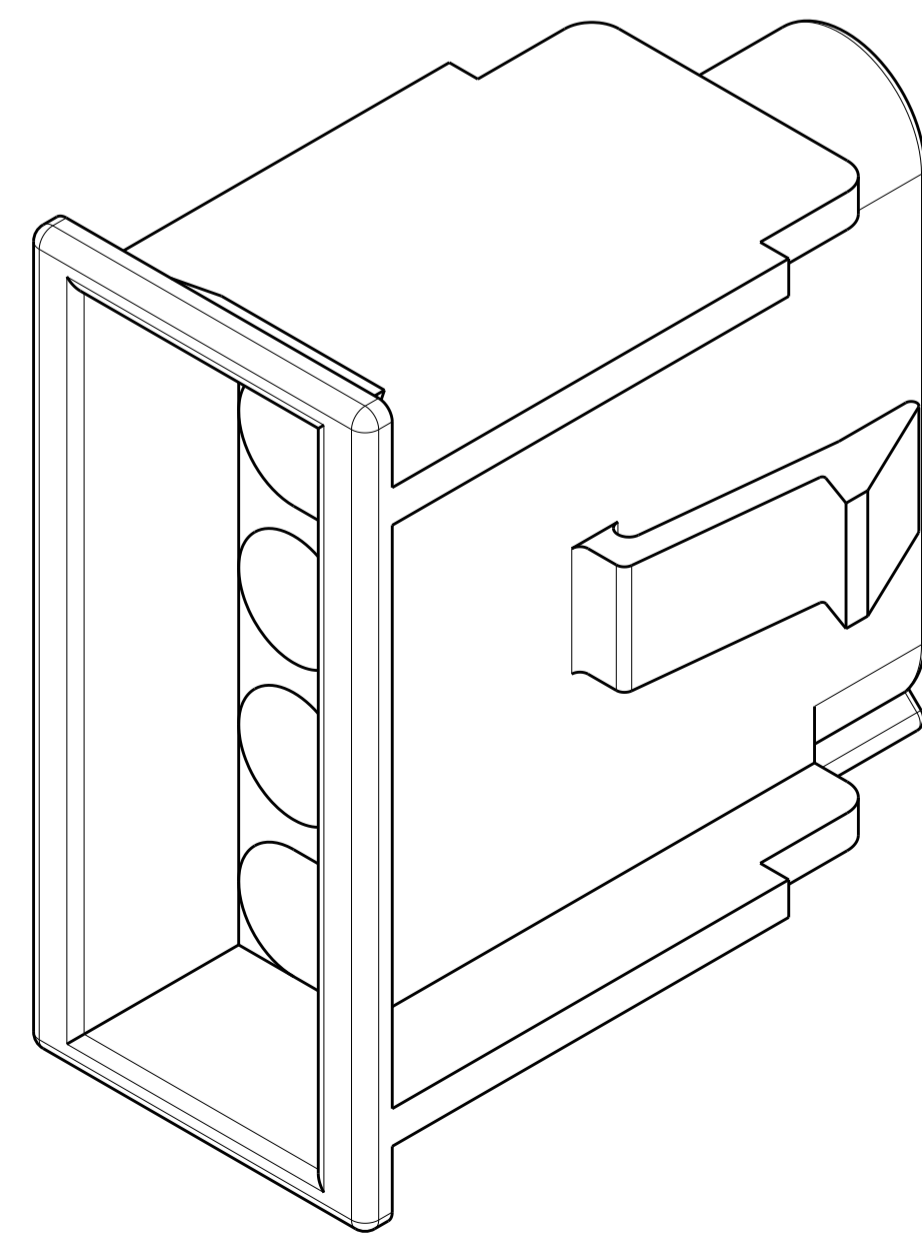


LOC		DIST		REVISIONS			
CM	00	P	LTN	DESCRIPTION	DATE	DWN	APVD
		F	I	ECO-17-009556	03JUL2017	RS	SW



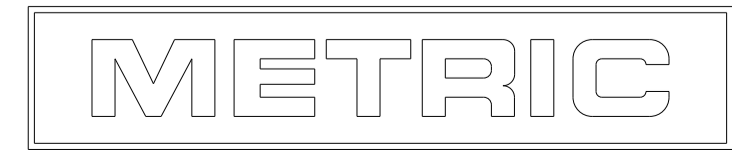
- △ PANEL THICKNESS 2.5±0.25 [.098±.010].
- 2. PANEL MUST BE PUNCHED SO THAT THE HOUSING ENTERS THE PANEL IN THE SAME DIRECTION AS THE PUNCH.
- 3. DIMENSIONS SHOWN REPRESENT PRODUCT IN DRY, AS MOLDED CONDITION. ADDITIONAL 2% GROWTH DUE TO SUBSEQUENT MOISTURE ABSORPTION MAY OCCUR AND SHOULD BE ACCOUNTED FOR
- △ 4 RIBS EQUALLY SPACED, NO SPECIFIC ORIENTATION. FOUR RIBS PREFERRED, SIX RIBS OPTIONAL.



RECOMMENDED PANEL CUT OUT △

0.267 IN ³	770002-1
VOLUME	PART NUMBER

<small>THIS DRAWING IS UNPUBLISHED. RELEASED FOR PUBLICATION. IT IS THE BUYER'S RESPONSIBILITY TO CONTACT THE SUPPLIER FOR THE LATEST REVISIONS. DIMENSIONS SHOWN ARE IN INCHES UNLESS OTHERWISE SPECIFIED.</small>		DWN: K. WHITAKER 04NOV2008 CHK: D. COLEY 04NOV2008 APVD: D. COLEY 04NOV2008	Tyco Electronics Harrisburg, PA 17105-3608
DIMENSIONS: mm [INCHES]	TOLERANCES UNLESS OTHERWISE SPECIFIED: 0 PLC ± 1 PLC ± 2 PLC ±0.13 [.005] 3 PLC ± 4 PLC ± ANGLES ±	NAME: CAP. PRODUCT SPEC: LEAD-IN RAMP, 4 CIRCUIT, APPLICATION SPEC: UNIVERSAL MATE-N-LOK(TM)	SIZE: A CAGE CODE: 00779 DRAWING NO: C=770002
MATERIAL: NYLON, UL 94V-0, WHITE	FINISH:	WEIGHT:	CUSTOMER DRAWING
SCALE: 4:1		SHEET: 1 OF 1	REV: F1



单击下面可查看定价，库存，交付和生命周期等信息

[>>TE Connectivity\(泰科\)](#)