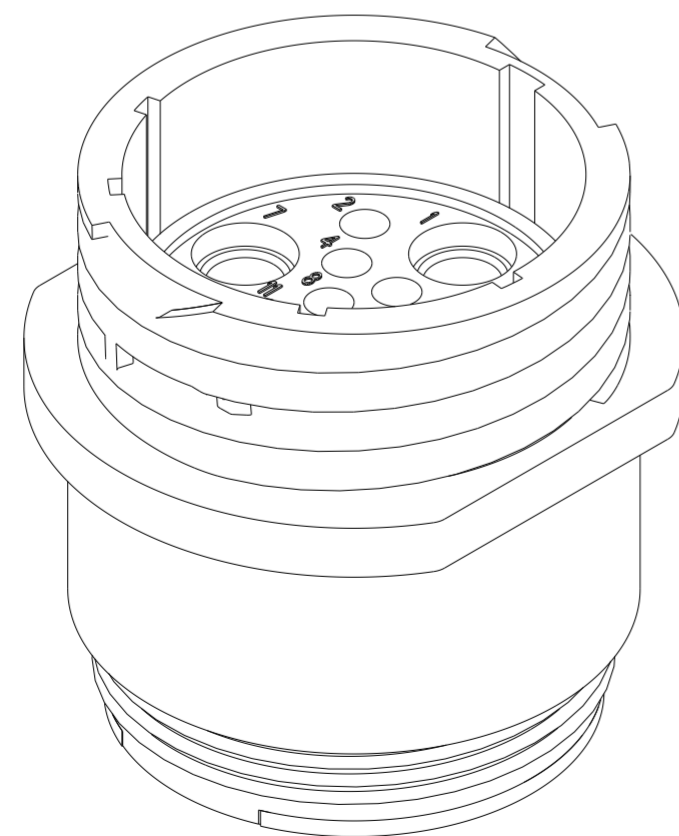
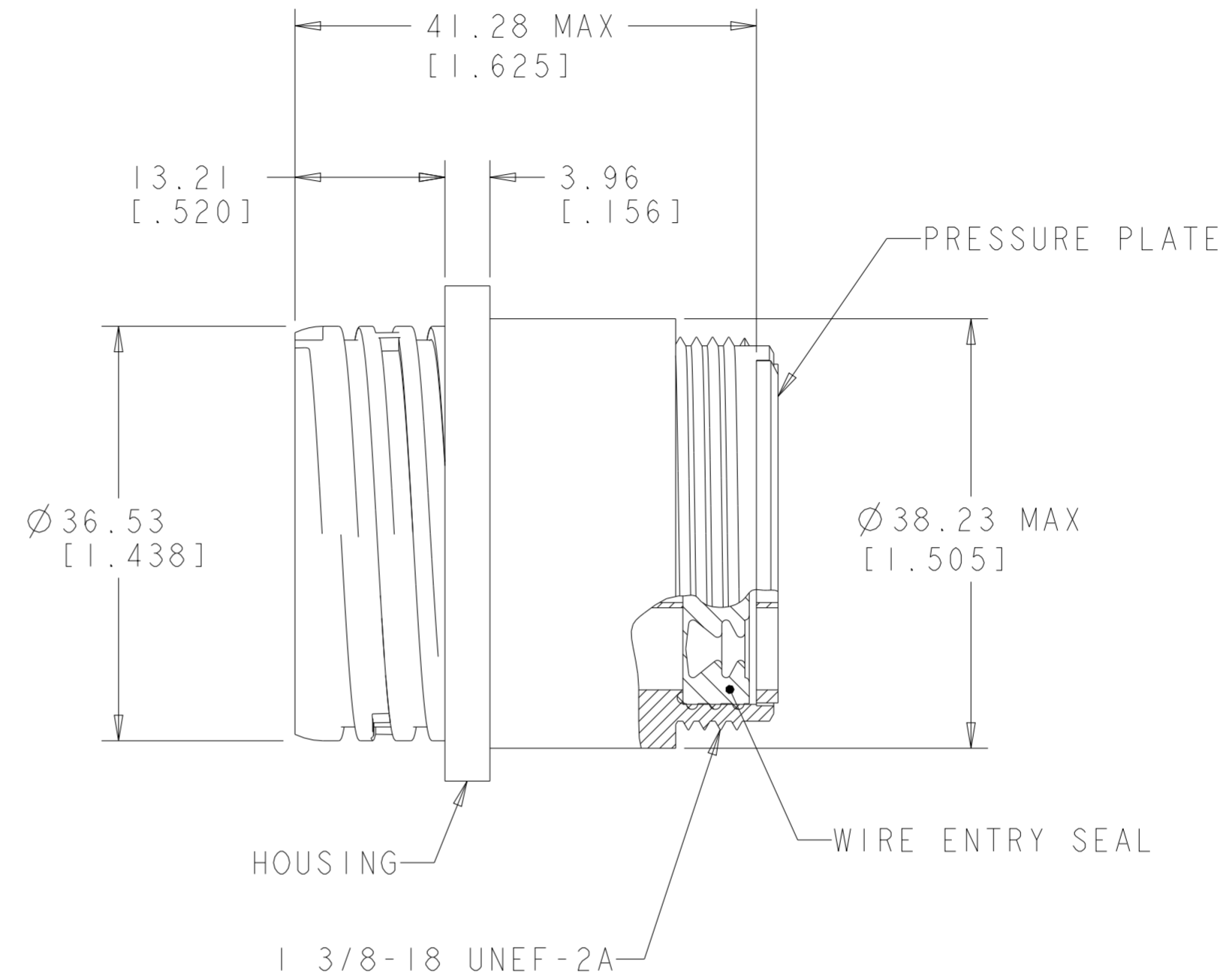
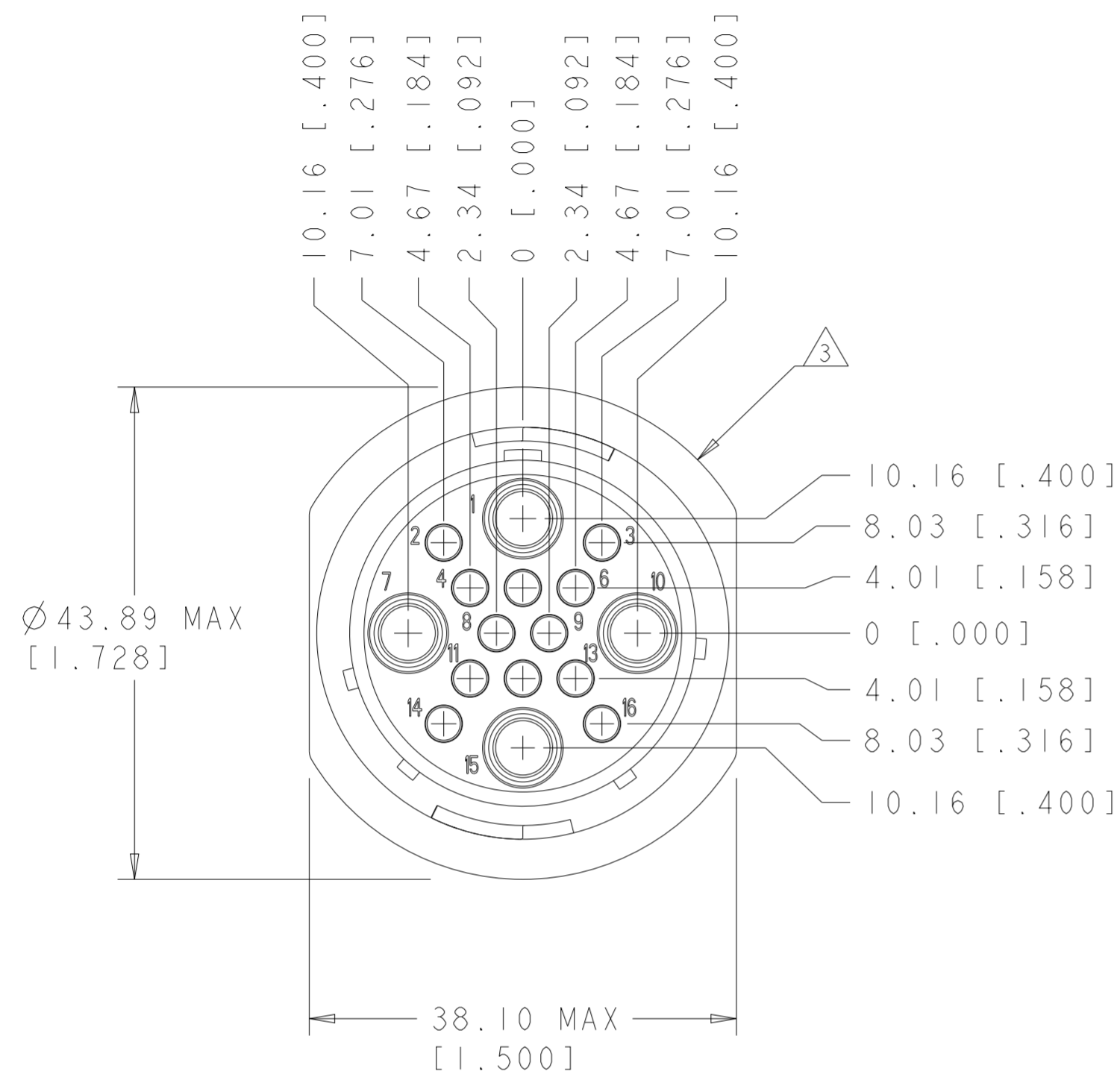


P	LTR	DESCRIPTION	DATE	DWN	APVD
B		REVISED PER ECO-21-006943	13OCT2021	RK	MZ



- △ HOUSING & PRESSURE PLATE: NYLON, BLACK.
WIRE ENTRY SEAL: ELASTOMER, RED-IRON OXIDE.
PERIPHERAL SEAL: ELASTOMER, BLACK.
- 2. WILL ACCEPT (12) MULTIMATE PINS AND (4) POWER MALE CONTACTS.
- △ TE LOGO LOCATED ON ANY FLANGE EDGE

796207-1
PART
NUMBER

THIS DRAWING IS A CONTROLLED DOCUMENT.		DWN S. WELDON 09SEP99	TE Connectivity		
DIMENSIONS: mm [INCHES]		CHK K. DOWHOWER 09SEP99			
TOLERANCES UNLESS OTHERWISE SPECIFIED:		APVD K. DOWHOWER 09SEP99	NAME RECEPTACLE ASSY, SERIES 6, STANDARD SEX, SIZE 23-16, CIRCULAR PLASTIC CONNECTOR		
0 PLC ± 1 PLC ± 2 PLC ±0.02 3 PLC ± 4 PLC ± ANGLES ± FINISH -		PRODUCT SPEC 108-1579	SIZE A2	CAGE CODE 00779	DRAWING NO C-796207
MATERIAL △		WEIGHT -	RESTRICTED TO -	SCALE 2:1 SHEET 1 OF 1 REV B	
CUSTOMER DRAWING					

单击下面可查看定价，库存，交付和生命周期等信息

[>>TE Connectivity\(泰科\)](#)