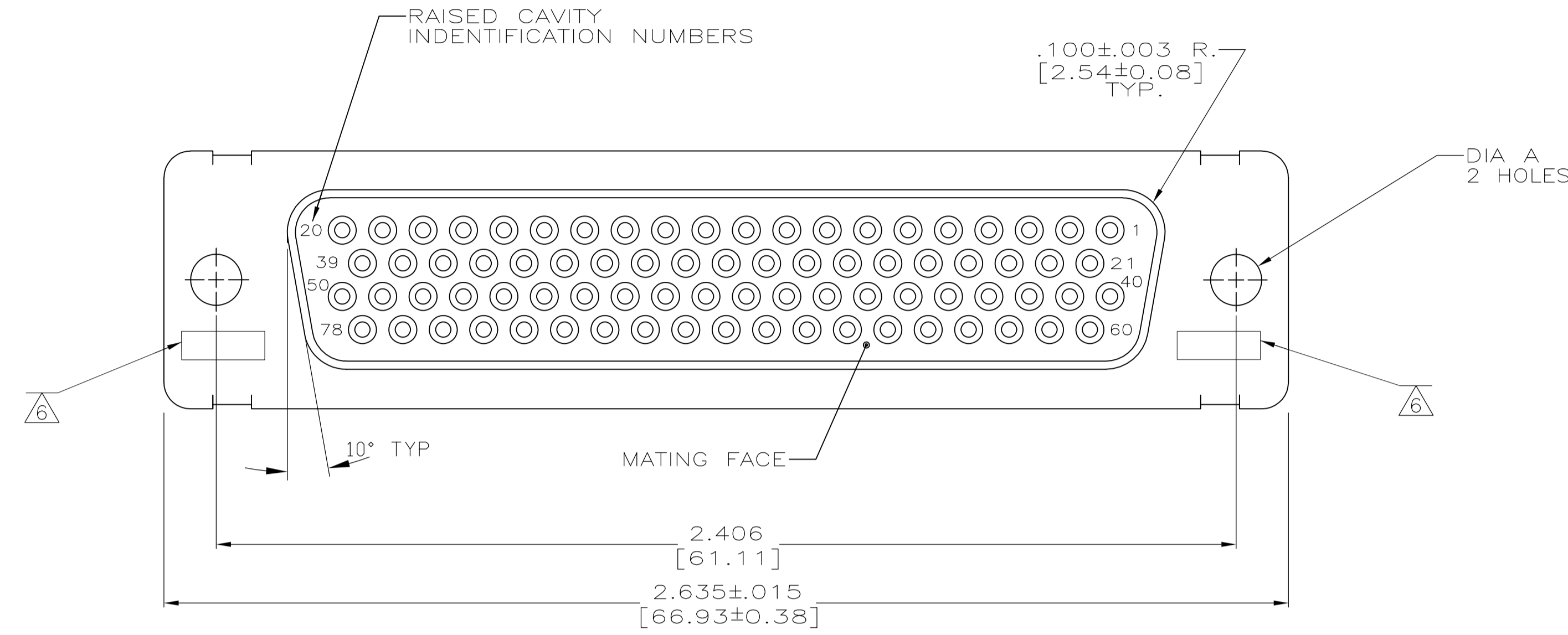
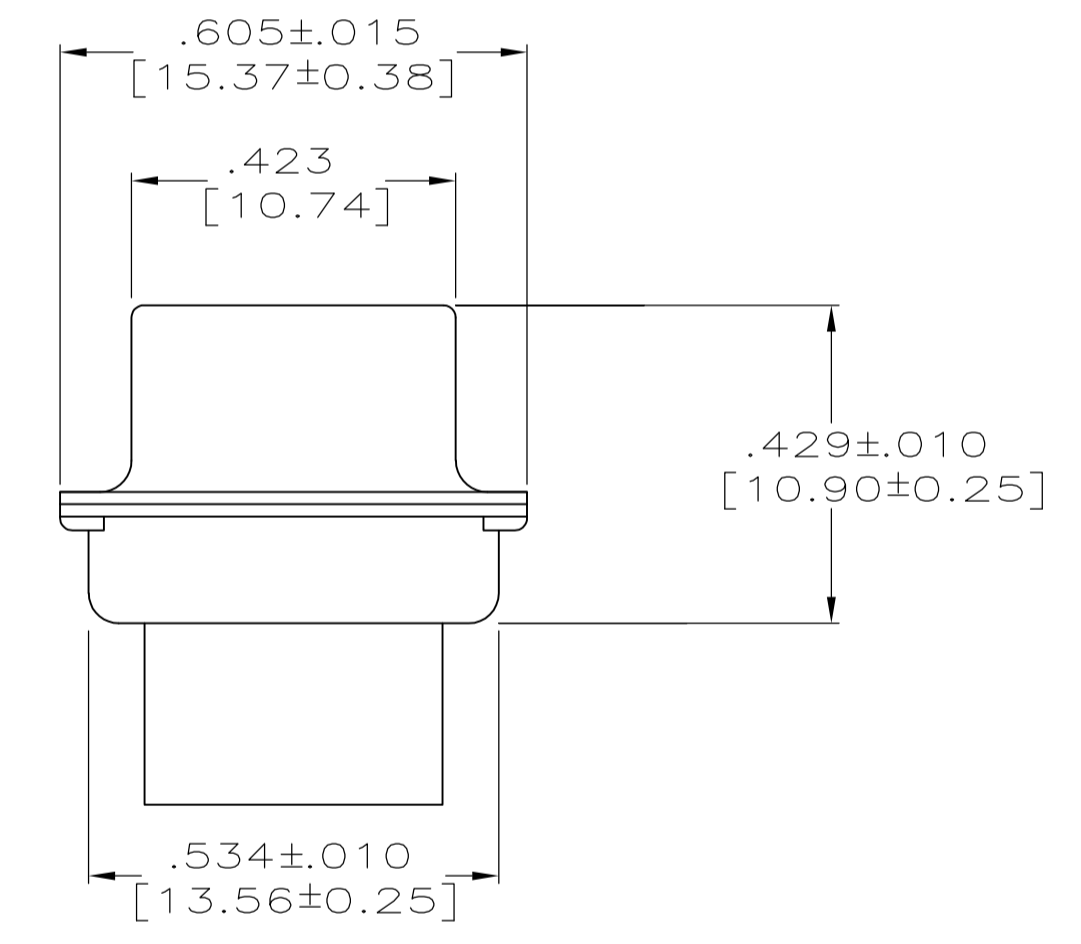
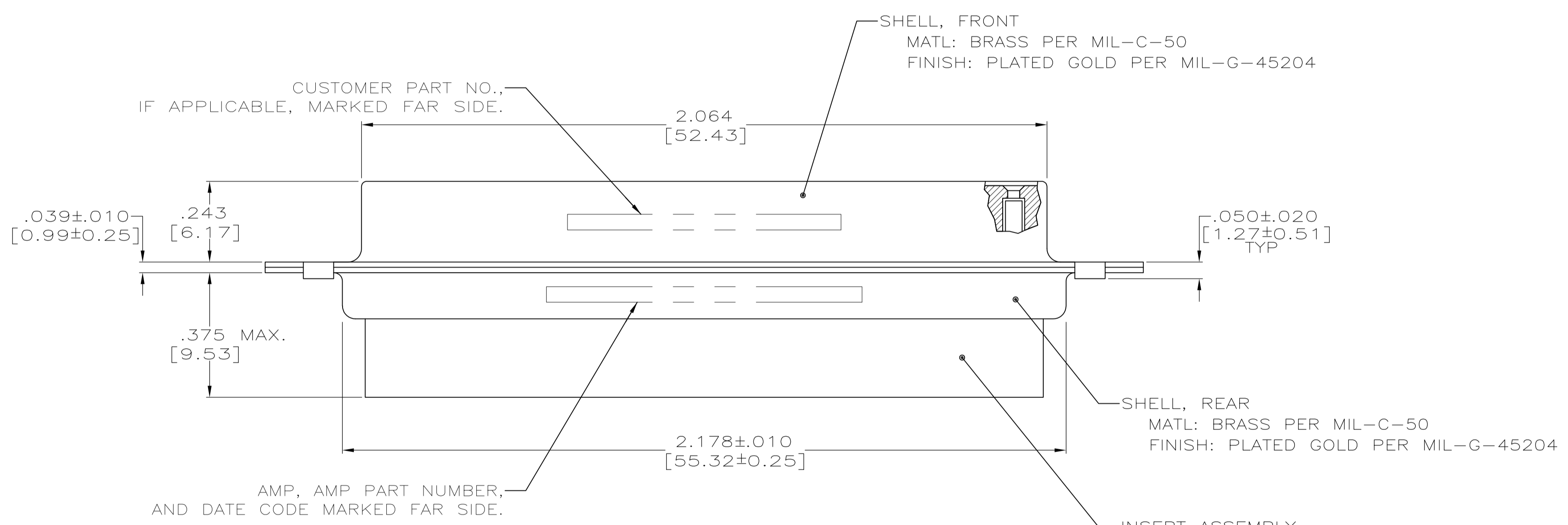


REVISONS		DATE	DN	APVD
LOC	DIST	DESCRIPTION		
Y	REV PER ECO	15-016064	11-9-15	CT CD



- THIS RECEPTACLE WILL MATE WITH ANY PLUG CONNECTOR WITH THE SAME INSERT ARRANGEMENT AS DEFINED BY MS18277-2.
 - MAXIMUM WIRE INSULATION USED WITH THIS RCPT. IS .054 [1.37] DIA.
 - Be-Cu RETENTION CLIPS ARE INCLUDED IN INSERTS.
- ⚠ INSPECTION REQUIREMENTS PER R4383.
 - ⚠ CONNECTOR SUPPLIED WITH 86 CONTACTS, AMP PART NUMBER 206071-1. INSPECTION REQUIREMENTS PER R4383 WITHOUT TESTS FOR HIGH ALTITUDE DIELECTRIC WITHSTANDING VOLTAGE AS CALLED FOR IN TABLE II SCREENING AND TESTING.
 - ⚠ UL/CSA DESIGNATION STAMPED IN THIS AREA, OPTIONAL
 - ⚠ SPECIAL TESTING PER GE DOCUMENT 20025720. CONNECTOR SUPPLIED WITH 88 CONTACTS, AMP P/N 206071-1.
 - ⚠ RESTRICTED TO CAE ELECTRONICS ONLY.
 - ⚠ THESE CONNECTORS ARE QUALIFIED TO GODDARD SPACE FLIGHT CENTER SPECIFICATION S-311-P-4.
 - ⚠ CONNECTOR SUPPLIED WITH 78 CONTACTS, AMP PART NUMBER 206071-1; (NOT INSTALLED).
 - ⚠ SINGLE LOT DATE CODE AND 100% GROUP "A" ACCEPTANCE TESTING PER CI-2A-019.



AMP P/N 206071-1
GSFC P/N G-08-S1

INSERT ASSEMBLY
MATL: DIALLYL PHTHALATE, TYPE SDG-F
PER MIL-M-14,
COLOR: BLUE
OR POLYPHENYLENE SULFIDE (PPS)
PER MIL-M-24519, TYPE GST-40F
COLOR: BLACK

⚠	.120 [3.05]	CI-2A-019-004V-001	1-206505-4	1-206505-4
⚠	.120 [3.05]	570566-5	1-206505-3	1-206505-3
⚠	.120 [3.05]	LMSC 1621480-006	1-206505-2	1-206505-2
⚠	.120 [3.05]	LMSC 1621480-006	1-206505-1	1-206505-1
⚠	.120 [3.05]	311P407-5S-B-12	206505-4	1-206505-0
⚠	.120 [3.05]	20025720P1078S	206505-9	206505-9
⚠	.120 [3.05]	R4383P78S	206505-8	206505-8
⚠	.154 [3.91]		206505-7	206505-7
⚠	.120 [3.05]	R4383P78S-2	206505-6	206505-6
⚠	.120 [3.05]	SC81D139-045	206505-5	206505-5
⚠	.120 [3.05]	311P407-5S-B-12	206505-4	206505-4
⚠	.154 [3.91]		206505-3	206505-3
⚠	.120 [3.05]	R9259P78S	206505-2	206505-2
⚠	.154 [3.91]	311P407-5S-B-15	206505-1	206505-1
REMARKS	DIA A	CUSTOMER P/N ON CONNECTOR	AMP P/N ON CONNECTOR	AMP P/N

THIS DRAWING IS A CONTROLLED DOCUMENT. DIMENSIONS: INCHES. TOLERANCES UNLESS OTHERWISE SPECIFIED: 0 PLC ± .005, 1 PLC ± .005, 2 PLC ± .005, 3 PLC ± .005, 4 PLC ± .005. ANGLES: ± 1°.

MATERIAL: SEE CALLOUTS. FINISH: SEE CALLOUTS.

APPROVED: M. CLOUSER, 12-16-88. CHECKED: T. CANTLIN, 1-24-89. DRAWN: F. KINSEY, 1-25-89.

NAME: AMPLIMITE NONMAGNETIC RECEPTACLE ASSEMBLY, SERIES 90, SHELL SIZE 5, 78 POSITION.

SIZE: A1. CAGE CODE: 00779. DRAWING NO: 206505. WEIGHT: -. RESTRICTED TO: CUSTOMER DRAWING. SCALE: 4:1. SHEET: 1 OF 1. REV: Y.

单击下面可查看定价，库存，交付和生命周期等信息

[>>TE Connectivity\(泰科\)](#)