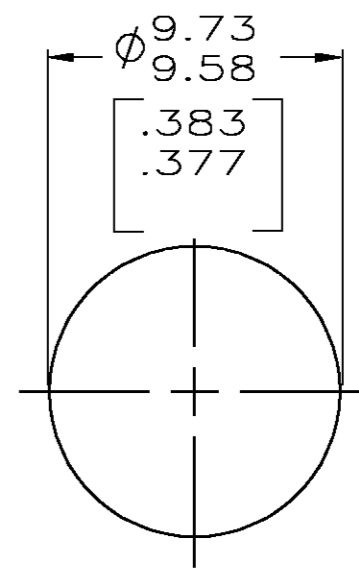
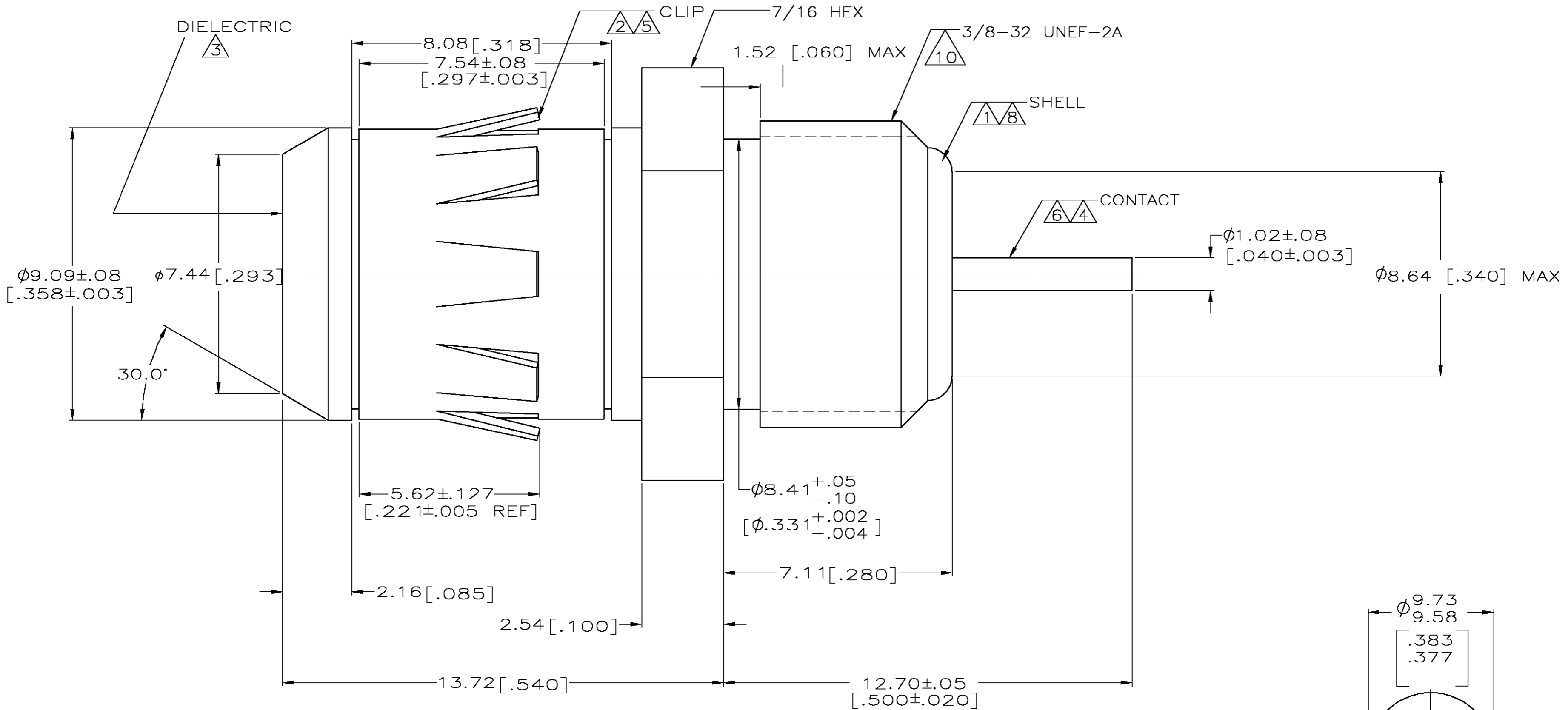


THIS DRAWING IS UNPUBLISHED. RELEASED FOR PUBLICATION  
 © COPYRIGHT BY TYCO ELECTRONICS CORPORATION. ALL RIGHTS RESERVED.

LOC	DIST	REVISIONS					
AJ	16	P	LTR	DESCRIPTION	DATE	DWN	APVD
		B		PER EC OS14-0179-04	15NOV04	D5	KW



SCALE 4:1  
 RECOMMENDED PANEL CUTOUT

- ① BRASS PER ASTM-B-16.
- ② BERYLLIUM COPPER PER ASTM-B-196.
- ③ PTFE PER MIL-P-19468.
- ④ BRIGHT TIN PER MIL-T-10727, TYPE 1  
3.81  $\mu\text{m}$  [.000150] MINIMUM THICK.
- ⑤ TIN PER ASTM-B-545  
2.54  $\mu\text{m}$  [.000100] MINIMUM THICK.
- ⑥ PHOSPHOR BRONZE PER QQ-B-750.
- 7. CONNECTOR WILL ACCEPT CENTER CONDUCTOR  
DIAMETER RANGE OF 0.76-1.07 [.030-.042].
- ⑧ BRIGHT NICKEL PER QQ-N-290,  
3.81  $\mu\text{m}$  [.000150] MINIMUM THICK.
- 9. CENTER CONDUCTOR ENTRY DEPTH TO FULL CURRENT  
CARRYING CAPACITY SHALL BE 4.32 [.170] MAX.
- ⑩ MAJOR DIA MODIFIED TO .363 REF.

1274032-1  
 PART NO

THIS DRAWING IS A CONTROLLED DOCUMENT.		DWN	27APR98	 Tyco Electronics Corporation Harrisburg, PA 17105-3608
		CHK	27APR98	
		APVD	27APR98	
		NAME	S. BURKHOLDER	
DIMENSIONS: INCHES		TOLERANCES UNLESS OTHERWISE SPECIFIED:		PRODUCT SPEC
		0 PLC	± -	APPLICATION SPEC
		1 PLC	± -	
		2 PLC	± 0.25 [.010]	
		3 PLC	± -	
MATERIAL		FINISH		SIZE
SEE NOTES 1-3, 6		SEE NOTES 4, 5, 8		A2
		WEIGHT		CAGE CODE
		-		00779
		CUSTOMER DRAWING		DRAWING NO
				1274032
				RESTRICTED TO
				-
		SCALE 10:1		SHEET 1 OF 1
				REV B

单击下面可查看定价，库存，交付和生命周期等信息

[>>TE Connectivity\(泰科\)](#)