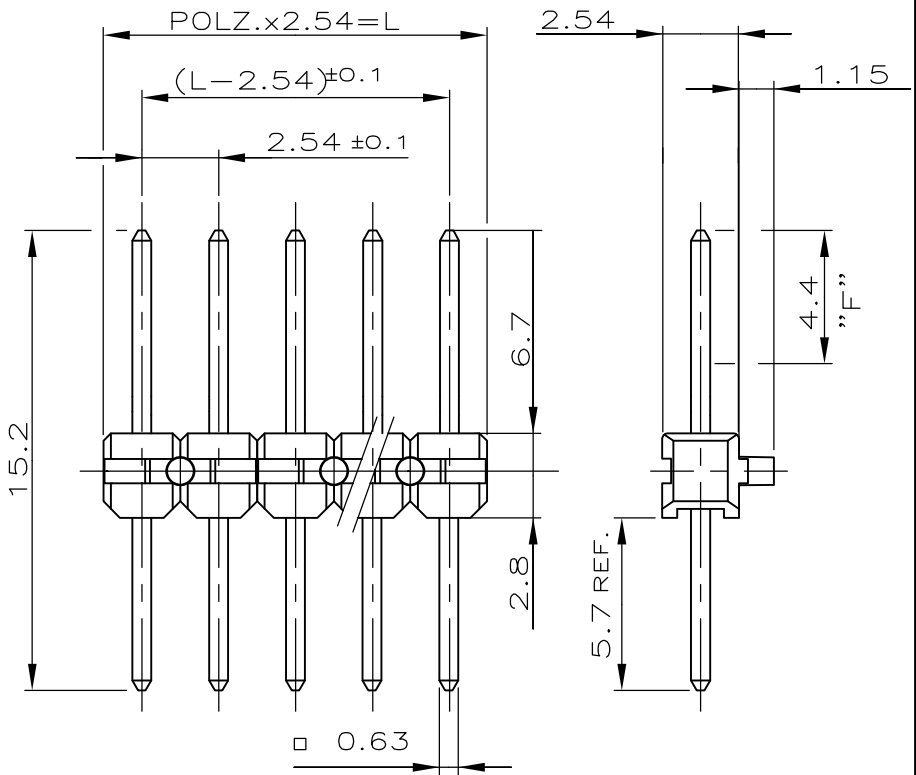


LOC	DIST	REVISIONS			DATE	DWN	APVD
—	—	P	LTR	DESCRIPTION			
		F		CONTACT PIN MATERIAL CHANGED FROM CuSn (Phosphor bronze) to CuZn (Brass). PLATING CHANGED FROM MIN. 0.8µm GOLD PLATING MIN. 0.7µm Pd Ni+0.1µm GOLD FLASH AT CONTACT AREA (Area F).	11JUN2014	TJ	JK

POLZ.	L±0.5	BESTELL-NR.	
1	2.54	825 434 -1	△2
2	5.08		△2
3	7.62		△2
4	10.16		△2
5	12.70		-5
6	15.24		△2
7	17.78		-7
8	20.32		△2
9	22.86		△2
10	25.40	1-	0
11	27.94	1-	-1
12	30.48	1-	-2
13	33.02	1-	-3
14	35.56	1-	4
15	38.10	1-	-5
16	40.64	1-	6
17	43.18	1-	-7
18	45.72	1-	-8
19	48.26	1-	-9
20	50.80	2-	-0
21	53.34	2-	-1
22	55.88	2-	-2
23	58.42	2-	-3
24	60.96	2-	-4
25	63.50	2-	-5
26	66.04	2-	-6
27	68.58	2-	-7
28	71.12	2-	-8
29	73.66	2-	-9
30	76.20	3-	0
31	78.74	3-	-1
32	81.28	3-	-2
33	83.82	3-	-3
34	86.36	3-	-4
35	88.90	3-	-5
36	91.44	3-	-6
37	93.98	3-	-7
38	96.52	3-	-8
39	99.06	3-	-9
40	101.60	4-	0
41	104.14	4-	-1
42	106.68	4-	-2
43	109.22	4-	-3
44	111.76	4-	-4
45	114.30	4-	-5
46	116.84	4-	-6
47	119.38	4-	-7
48	121.92	4-	-8
49	124.46	4-	-9
50	127.00	5- 825 434 -0	



△1 CONTACT SIDE: MIN.0.7µm PdNi+0.1µm GOLD FLASH OVER 1.27µm NICKEL
 SOLDER SIDE: 3.0-5.0µm TIN OVER 1.27µm NICKEL
 △2 OBSOLETE

CAD-ORIGINAL
 ZEICHNUNG NICHT ÄNDERN

ZEICHNUNG GÜLTIG AB		39/96
KONTAKTSTIFT	Cu Zn	△
STIFTGEHÄUSE	PBT GV	GRÜN
BENENNUNG	WERKSTOFF	OBERFLÄCHE
		FARBE

THIS DRAWING IS UNPUBLISHED. ALL RIGHTS RESERVED. RELEASED FOR PUBLICATION.

DIMENSIONS: mm	DWN	11.04.84	MATERIAL	FINISH
	A.HO		-	-
TOLERANCES UNLESS OTHERWISE SPECIFIED: ±0.2mm	CHK	11.04.84	TE Connectivity	
	M.SCHAARSCHMIDT			
0 PLC ± - 1 PLC ± - 2 PLC ± - 3 PLC ± - 4 PLC ± - ANGLES ± -	APVD	-	NAME	
	PRODUCT SPEC	108-18012	AMPMODU II PIN HEADER, SINGLE ROW	
	APPLICATION SPEC	-	SIZE	CAGE CODE
	WEIGHT	-	A4	00779
CUSTOMER DRAWING		DRAWING NO	825434	RESTRICTED TO
		SCALE	4:1	SHEET 1 OF 1
		REV	F	

单击下面可查看定价，库存，交付和生命周期等信息

[>>TE Connectivity\(泰科\)](#)