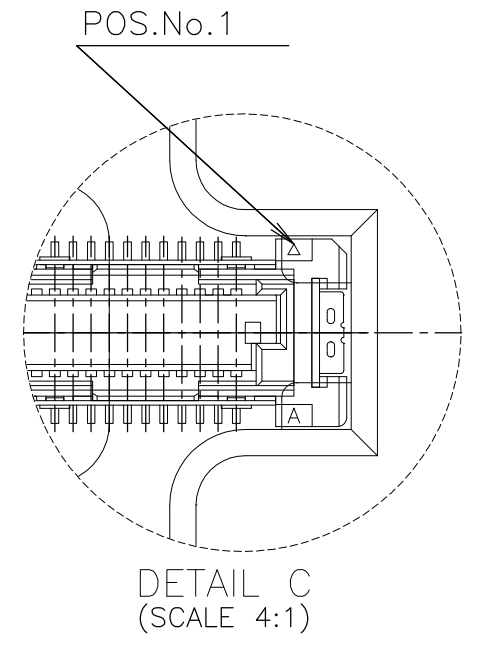
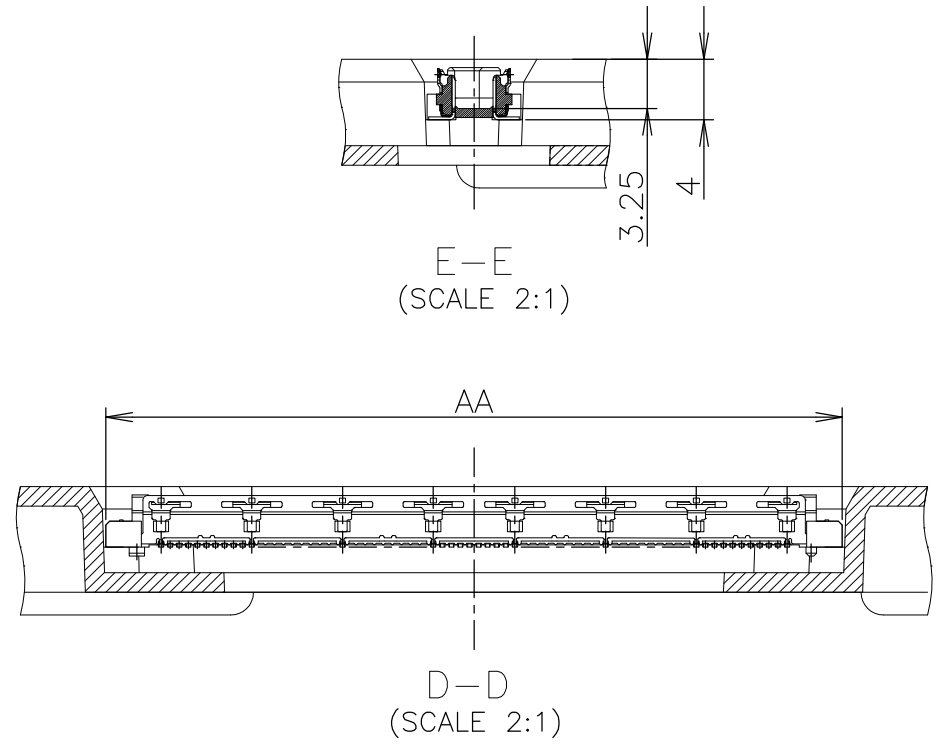
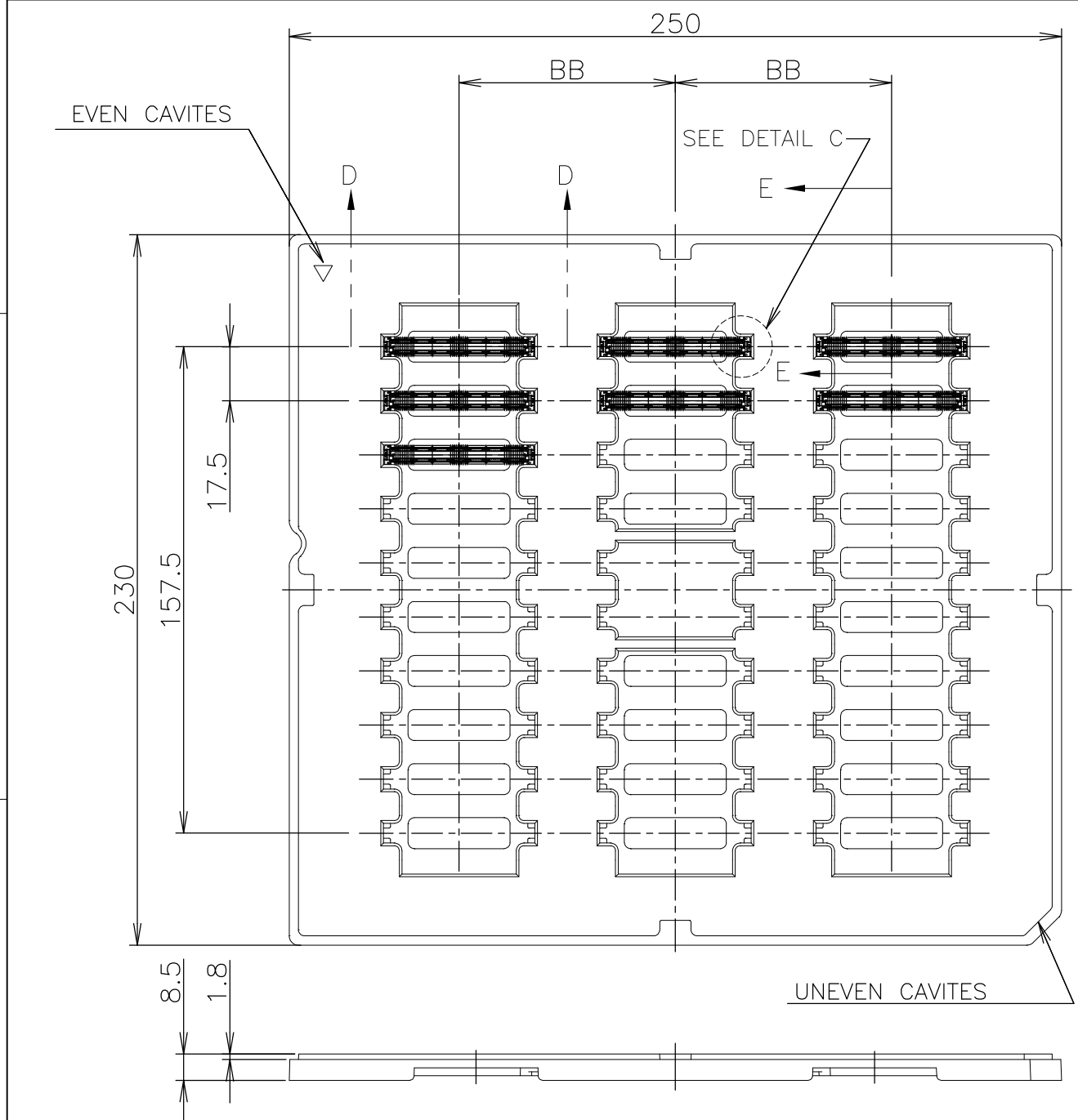


THIS DRAWING IS UNPUBLISHED. RELEASED FOR PUBLICATION OCT, 1995.  
 © COPYRIGHT 1995 BY TYCO ELECTRONICS CORPORATION. ALL RIGHTS RESERVED.

LOC	DIST	REVISIONS			DATE	DWN	APVD
J		P	LTR	DESCRIPTION			
		A	REVISED	ECR-08-000339	01FEB08	T.T	T.F



GENERAL TOLERANCE  
一般公差

10 ≥	±0.2
30 ≥	>10: ±0.25
100 ≥	>30: ±0.3
ANGLES: ±3°	

THIS DRAWING IS A CONTROLLED DOCUMENT.

DIMENSIONS: 单位: 耗 mm

TOLERANCES UNLESS OTHERWISE SPECIFIED: 一般公差

0 PLC	± -
1 PLC	± -
2 PLC	± -
3 PLC	± -
4 PLC	± -
ANGLES	± -

MATERIAL 材料

FINISH 仕上

SEALANT	AVAILABLE	3	30	70	54.7	160	1-5316559-1
	AVAILABLE	↑	↑	↑	48.7	140	1- -0
	NOT AVAILABLE				42.7	120	-9
		↑			36.7	100	-8
		↓	↓	↓	33.7	90	-7
		3	30	70	30.7	80	-6
		5	50	43	27.7	70	-5
		↑	↑	↑	24.7	60	-4
					21.7	50	-3
		↓	↓	↓	18.7	40	-2
	NOT AVAILABLE	5	50	43	15.7	30	5316559-1
SEALANT	TOOLING STATUS	ROW	QTY	BB	AA	POS.	PART NO.

THIS DRAWING IS A CONTROLLED DOCUMENT.

DWN LEO ZHOU 17NOV04

CHK STEVEN YAO 17NOV04

APVD I.ENOMOTO 17NOV04

NAME 名称

PRODUCT SPEC 製品規格

108-60047

APPLICATION SPEC 取付適用規格

114-5255

WEIGHT

Tyco Electronics Corporation  
Kawasaki, Japan

HARD TRAY ASSY  
FH 0.6BTB CONNECTOR  
PLUG 4H W/G-PLATE

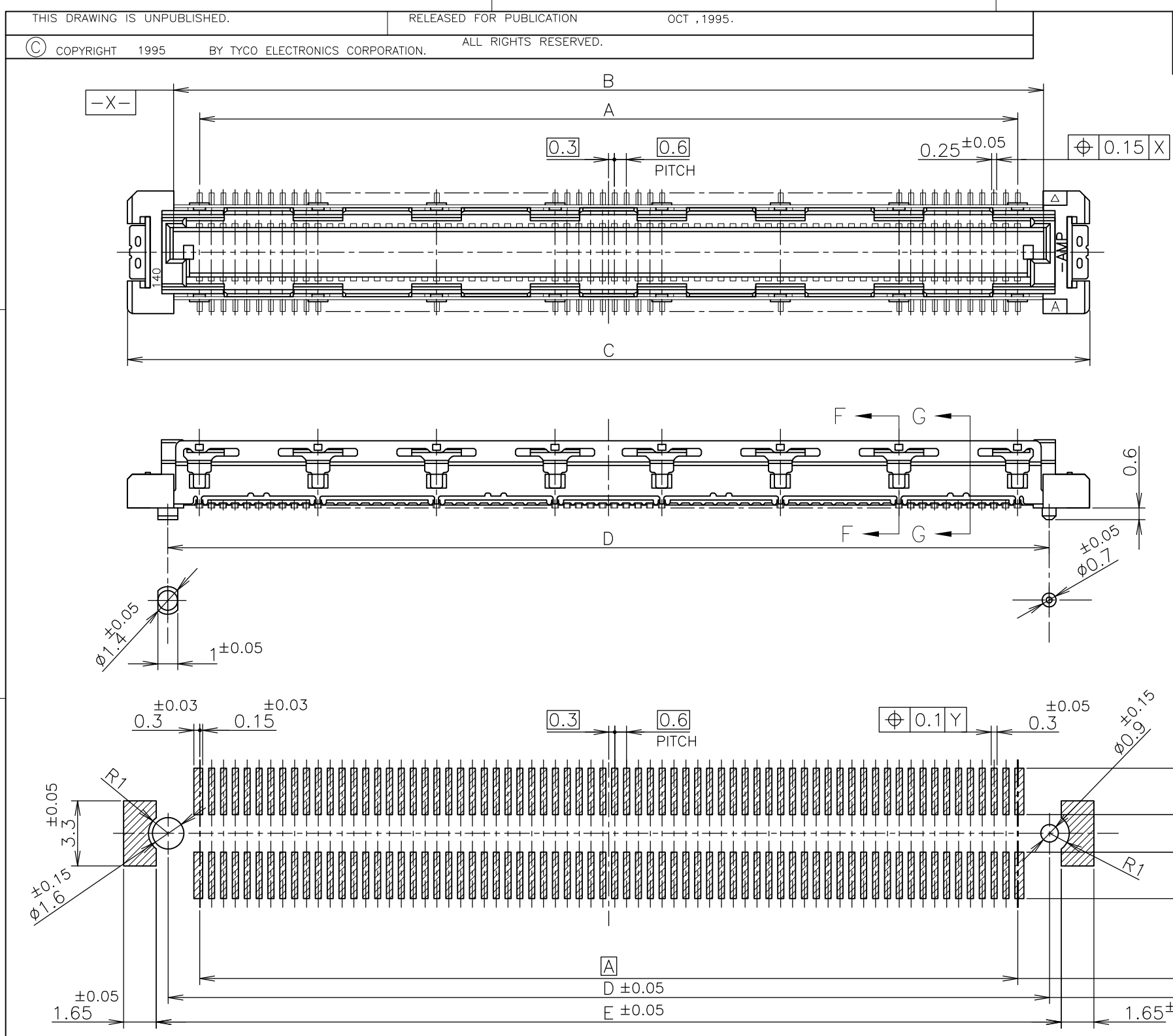
SIZE	CAGE CODE	DRAWING NO 番号	RESTRICTED TO
A3	00779	G-5316559	

CUSTOMER DRAWING

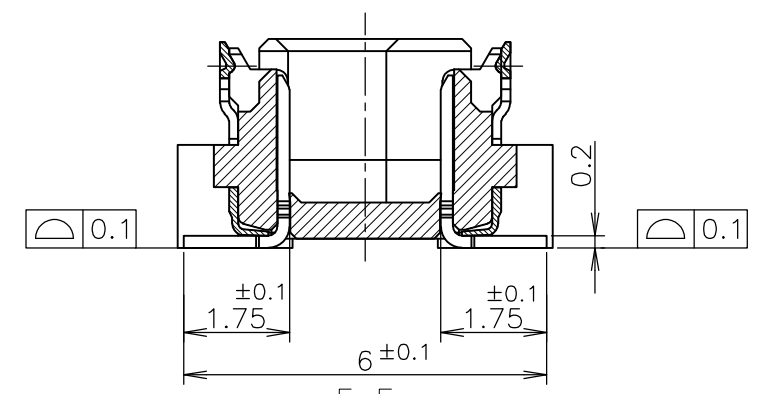
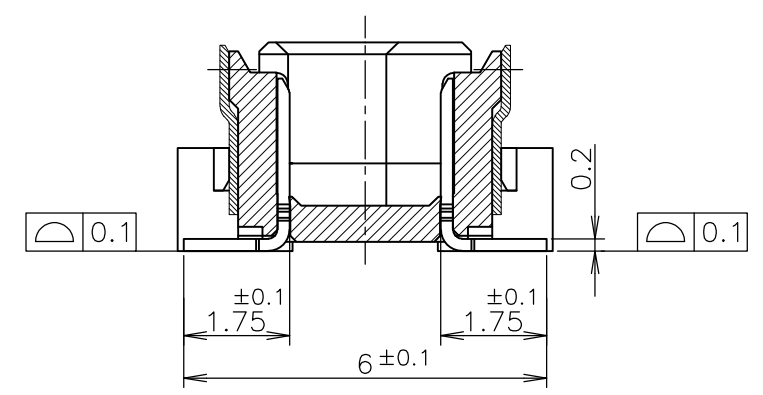
SCALE 尺度 1:2

SHEET 1 OF 3

REV A



- △ MATERIAL ; HOUSING : HIGH TEMP THERMO PLASTIC UL94V-0
- CONTACT : COPPER ALLOY
- △ FINISH ; UNDER PL Ni 0.0013mm MIN ALL OVER.
- CONTACT AREA 0.0002 MIN Au PL.
- SOLDERING AREA 0.001 MIN TIN PL.
- △ THIS POSITION IS GROUND CIRCUIT.



AVAILABLE	51.8	50.6	54.7	50	47.4	160	1-5316559-1
AVAILABLE	45.8	44.6	48.7	44	41.4	140	1-5316559-0
NOT AVAILABLE	39.8	38.6	42.7	38	35.4	120	-9
AVAILABLE	33.8	32.6	36.7	32	29.4	100	-8
NOT AVAILABLE	30.8	29.6	33.7	29	26.4	90	-7
NOT AVAILABLE	27.8	26.6	30.7	26	23.4	80	-6
AVAILABLE	24.8	23.6	27.7	23	20.4	70	-5
AVAILABLE	21.8	20.6	24.7	20	17.4	60	-4
AVAILABLE	18.8	17.6	21.7	17	14.4	50	-3
NOT AVAILABLE	15.8	14.6	18.7	14	11.4	40	-2
NOT AVAILABLE	12.8	11.6	15.7	11	8.4	30	5316559-1
TOOLING STATUS	E	D	C	B	A	POS	PART NO.

THIS DRAWING IS A CONTROLLED DOCUMENT.

DIMENSIONS: 单位: 耗 mm

TOLERANCES UNLESS OTHERWISE SPECIFIED: 一般公差

0 PLC	$\pm 0.3$
1 PLC	$\pm 0.3$
2 PLC	$\pm 0.3$
3 PLC	$\pm 0.3$
4 PLC	$\pm 0.3$
ANGLES	$\pm 3'$

MATERIAL 材料

FINISH 仕上

DWN

CHK

APVD

PRODUCT SPEC 製品規格

APPLICATION SPEC 取付適用規格

WEIGHT

CUSTOMER DRAWING

Tyco Electronics Tyco Electronics Corporation Kawasaki, Japan

NAME 名称

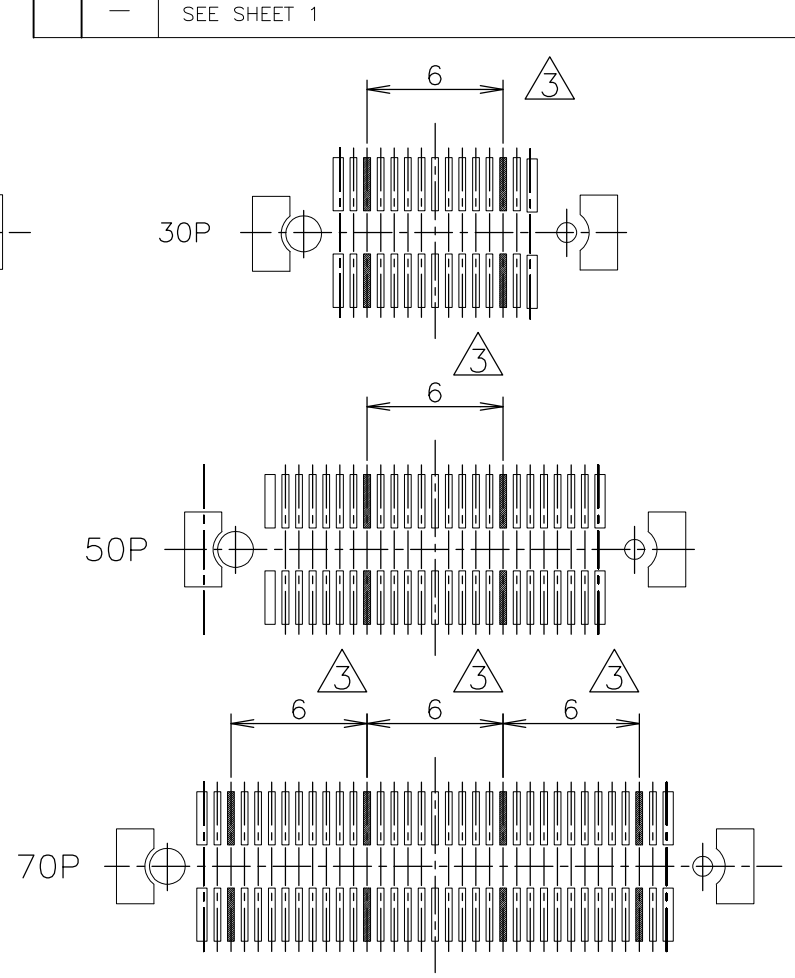
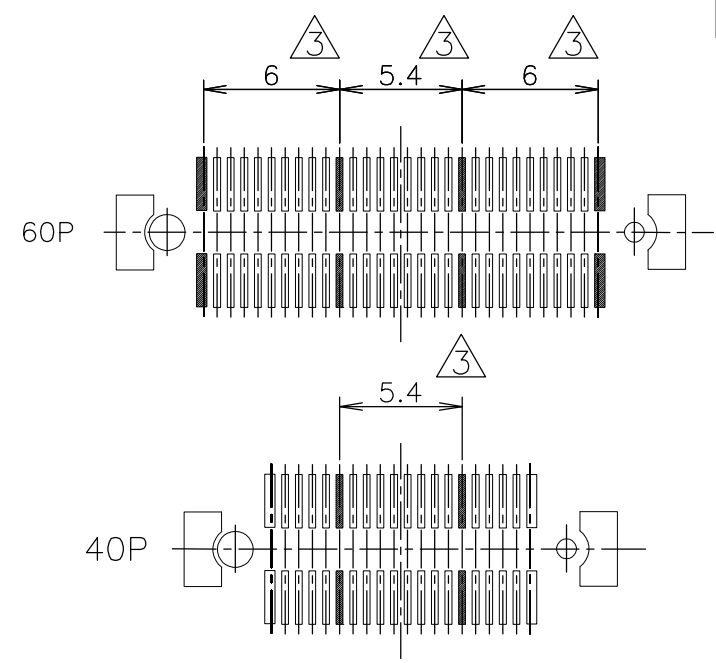
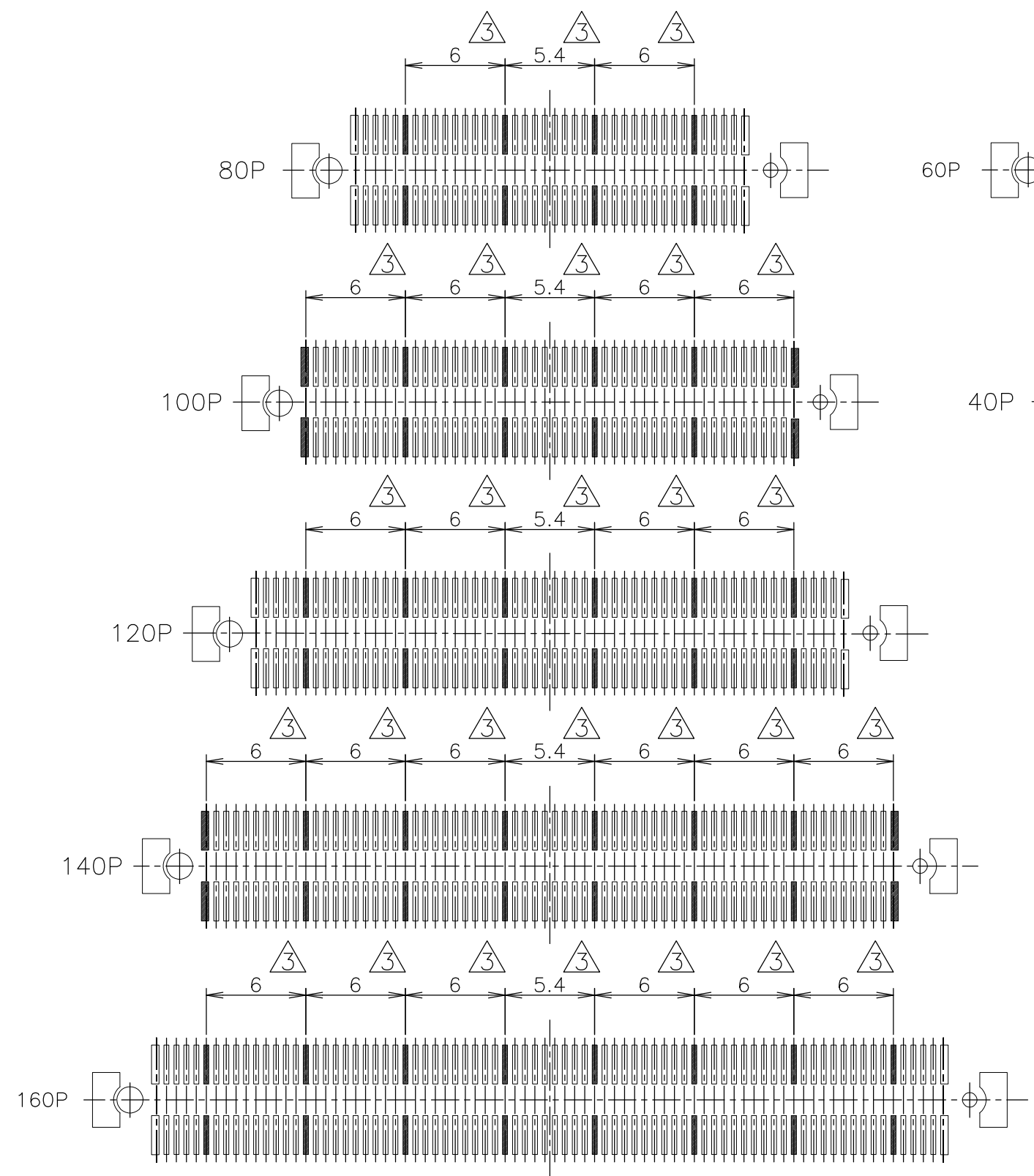
HARD TRAY ASSY  
FH 0.6BTB CONNECTOR  
PLUG 4H W/G-PLATE

SIZE A3 CAGE CODE 00779 DRAWING NO. 番号 G-5316559 RESTRICTED TO

SCALE 尺度 4:1 SHEET 2 OF 3 REV A

THIS DRAWING IS UNPUBLISHED. RELEASED FOR PUBLICATION OCT., 1995.  
 © COPYRIGHT 1995 BY TYCO ELECTRONICS CORPORATION. ALL RIGHTS RESERVED.

LOC		DIST		REVISIONS			DATE	DWN	APVD
J				P	LTR	DESCRIPTION			
				SEE SHEET 1			-	-	-



THIS DRAWING IS A CONTROLLED DOCUMENT.		DWN		Tyco Electronics		Tyco Electronics Corporation	
DIMENSIONS: 単位: 耗 mm		TOLERANCES UNLESS OTHERWISE SPECIFIED: 一般公差		CHK		Kawasaki, Japan	
		0 PLC ± 0.3		APVD		NAME 名称	
		1 PLC ± 0.3		PRODUCT SPEC 製品規格		HARD TRAY ASSY	
MATERIAL 材料		2 PLC ± 0.3		APPLICATION SPEC 取付適用規格		FH 0.6BTB CONNECTOR	
		3 PLC ± 0.3		WEIGHT		PLUG 4H W/G-PLATE	
FINISH 仕上		4 PLC ± 0.3		SIZE		DRAWING NO	
		ANGLES ± 3'		A3		C-5316559	
		CUSTOMER DRAWING		SCALE 尺度 3:1		SHEET 3 OF 3	
				RESTRICTED TO		REV A	

单击下面可查看定价，库存，交付和生命周期等信息

[>>TE Connectivity\(泰科\)](#)