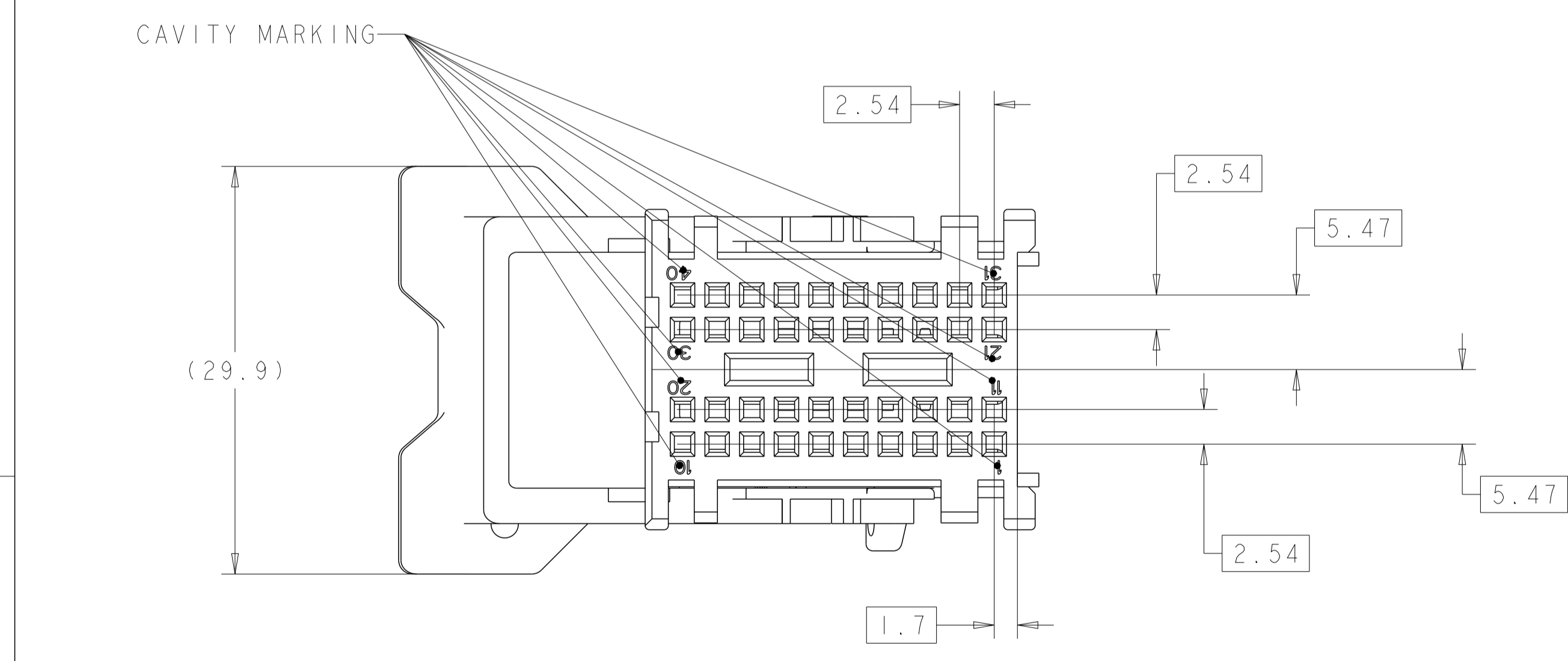
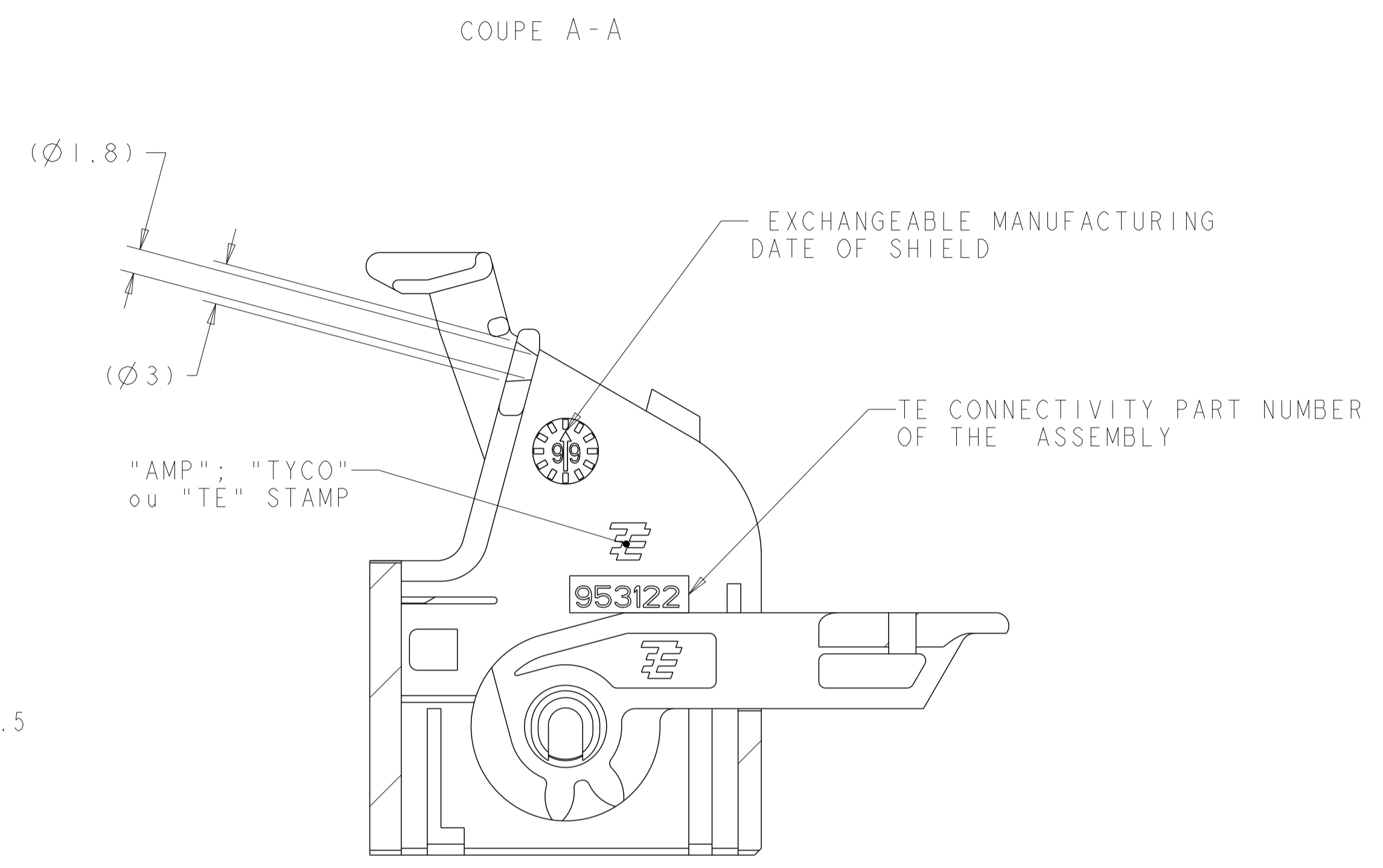
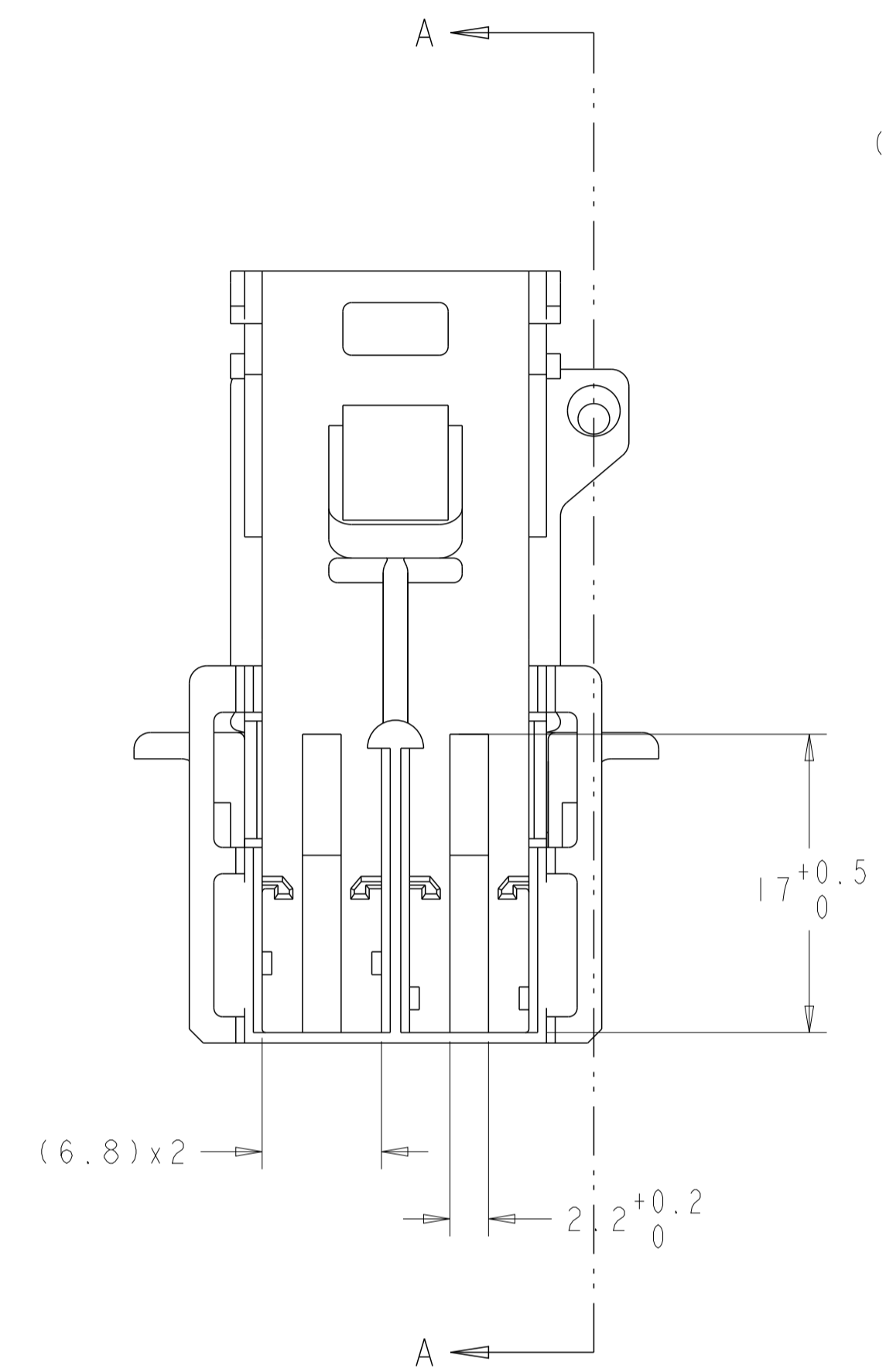
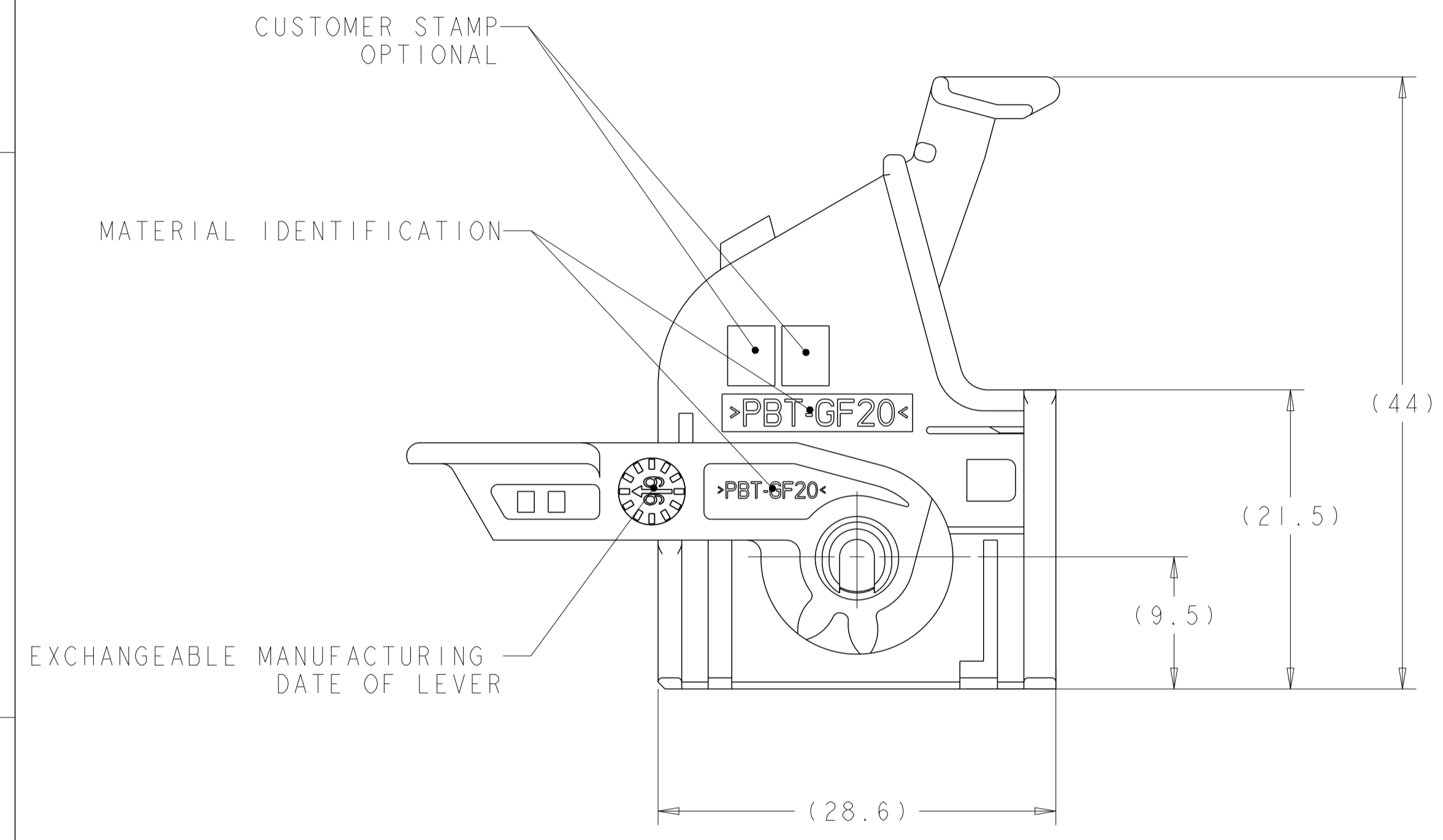
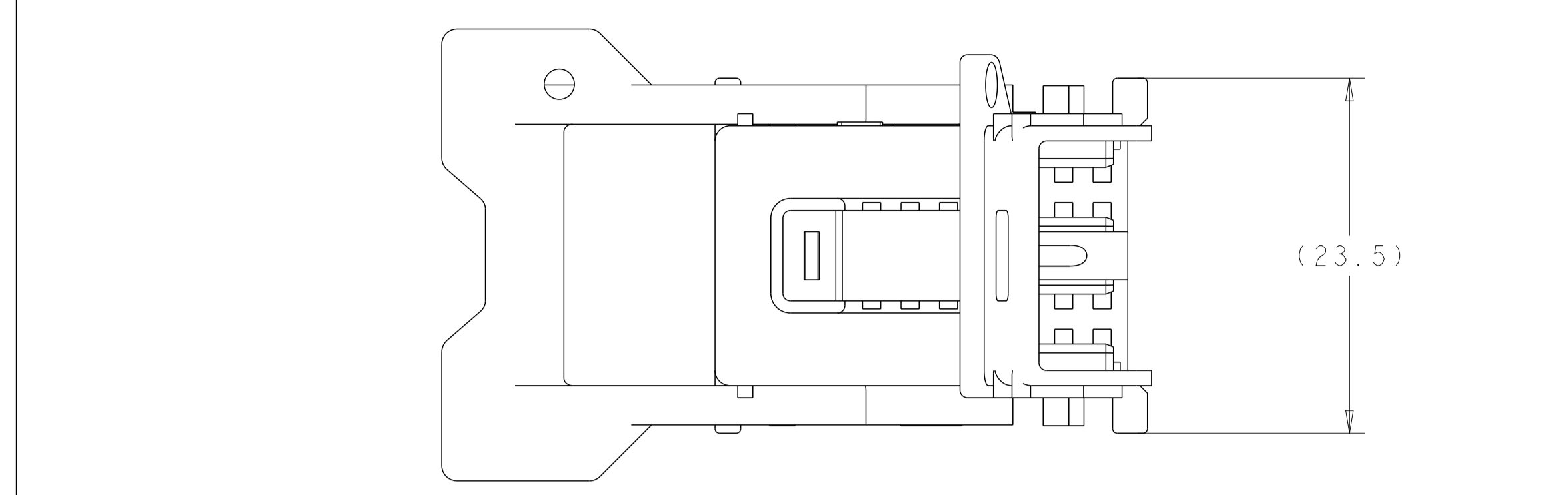


LOC		DIST		REVISIONS			
F	00	P	LTN	DESCRIPTION MODIFICATIONS	DATE	DMN DESS.	APVD APP.
		A1		REVISED PER ECO-11-005150	28MAR2011	RK	HMR
		A2		CORRECTED THE PN'S IN NOTE IN ZONE A7 ON SHEET 1 OF 2	20JUL2016	KCD	SA



Nota:
 PARKAGING FOLLOWING SPEC TE CONNECTIVITY: 107-18078 and 107-15368
 PART TO USE WITH:
 SOCKET HOUSING FOR POS. 1 TO 20 REF PN 953119-2 (BROWN) OR PN 1-953119-4 (WHITE)
 SOCKET HOUSING FOR POS. 21 TO 40 REF PN 953119-1 (GREEN) OR PN 1-953119-3 (BLACK)
 CONTACT MQS REF /144969-X; 1379418-X; 1379419-X
 NUMBER MAXI OF WIRE PERMITTED:
 40 WIRES SECTION 0.75mm² (Ø maxi insult 1.9mm)
 RECOMMANDATION SPEC: 411-15597

THIS DRAWING IS A CONTROLLED DOCUMENT. <small>CE PLAN EST UN DOCUMENT CONTROLÉ PAR AMF INCORPORATED. IL EST SOUS-SCÉLÉ ET TOUTE RÉVISION, CONTRACTÉ DE SERVICE. TOUT CHANGEMENT DE PLAN DOIT ÊTRE NOTIFIÉ À LA DIRECTION GÉNÉRALE.</small>		DMN/DESSINE 08FEB2005 M. POLIFONTE CHKY/VERIFIE 09FEB2005 X. ROULLARD	TE Connectivity	
DIMENSIONS: mm		TOLERANCES, UNLESS OTHERWISE SPECIFIED: TOLERANCES, NON SPECIFIEES: ±0.2	APVD/APPROUVE 09FEB2005 J. DABED	NAME/TITRE ASSEMBLY COVER 40 WAY MQS CABLE-LOCKING AT 15 DEG.
MATERIAL/MATIERE PBT GF 20		FINITION	WEIGHT/MASSE APPROX. 8.9gr	RESTRICTED TO RESERVE A
CUSTOMER DRAWING		UNIQUEMENT POUR REFERENCE	SCALE/ECHELLE 3:1	SHEET/FEUILLE 1 OF 2 REV A2

LOC	DIST	REVISIONS			
F	00	REV	DESCRIPTION	DATE	APPV
		-	SEE SHEET 1	-	-

953122-1	SHIELD	2	1	BLACK	PBT GF 20		953122-5	SHIELD	2	1	BLACK	PBT GF 20	
	LEVER	1	1	BLACK	PBT GF 20			LEVER	1	1	BLACK	PBT GF 20	
953122-2	SHIELD	2	1	GREY	PBT GF 20		953122-6	SHIELD	2	1	GREY	PBT GF 20	
	LEVER	1	1	BLACK	PBT GF 20			LEVER	1	1	BLACK	PBT GF 20	
953122-3	SHIELD	2	1	WITHE	PBT GF 20		953122-7	SHIELD	2	1	WITHE	PBT GF 20	
	LEVER	1	1	BLACK	PBT GF 20			LEVER	1	1	BLACK	PBT GF 20	
953122-4	SHIELD	2	1	BLUE	PBT GF 20		953122-8	SHIELD	2	1	BLUE	PBT GF 20	
	LEVER	1	1	BLACK	PBT GF 20			LEVER	1	1	BLACK	PBT GF 20	
TE CONNECTIVITY PART NUMBER	COMPONENT	Rep	Q.	COLOR	MATERIAL	CODING	TE CONNECTIVITY PART NUMBER	COMPONENT	Rep	Q.	COLOR	MATERIAL	CODING

THIS DRAWING IS A CONTROLLED DOCUMENT. CE PLAN EST UN DOCUMENT CONTROLÉ PAR AMP INCORPORATED. IL EST IDENTIFIÉ ET TRACÉ POUR OBTENIR LA DERNIÈRE RÉVISION. TECHNICAL STAMP OF FRANCE FROM OBTAIN LA DERNIÈRE RÉVISION.		DWN/BESSINE 08FEB2005 M. POLIFONTE CHK/VERVIE 09FEB2005 X. ROULLARD			TE Connectivity	
DIMENSIONS: mm		APVD APPROUVÉ J. DABED 09FEB2005	NAME TITRE		ASSEMBLY COVER 40 WAY MQS CABLE-LOCKING AT 15 DEG.	
MATERIAL MATIÈRE PBT GF 20		PRODUCT SPEC 108-15178	SIZE FORMAT A1		CAGE CODE DRAWING NO. No PLAN 00779-953122	
FINITION		APPLICATION SPEC	WEIGHT MASSE APPROX 8.9gr		RESTRICTED TO RESERVE A	
CUSTOMER DRAWING		SCALE 3:1	SHEET FEUILLE 2 OF DE 2		REV A2	

单击下面可查看定价，库存，交付和生命周期等信息

[>>TE Connectivity\(泰科\)](#)