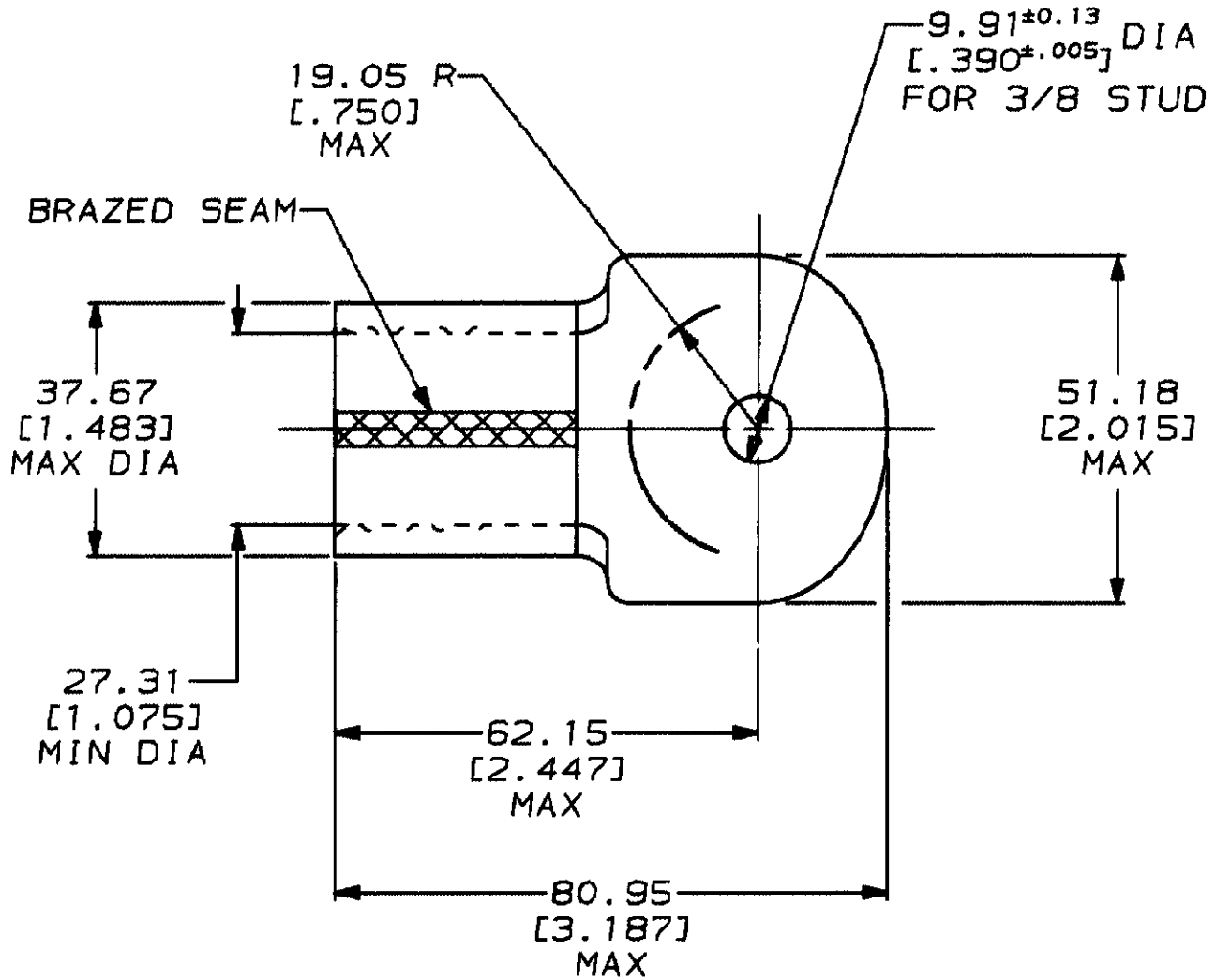


DRAWING MADE IN THIRD ANGLE PROJECTION

THIS DRAWING IS A CONTROLLED DOCUMENT FOR AMP INCORPORATED. IT IS SUBJECT TO CHANGE AND THE CONTROLLING ENGINEERING ORGANIZATION SHOULD BE CONTACTED FOR THE LATEST REVISION.

LOC	DIST	P	F	LTR	DESCRIPTION	DATE	APPROVED
G	14			D	REVISED & REDRAWN PER G-5803	6/12/92	DKS / AJK

THIS DRAWING IS UNPUBLISHED. RELEASED FOR PUBLICATION BY AMP INCORPORATED. ALL INTERNATIONAL RIGHTS RESERVED. COPYRIGHT 19



322267
PART NO

DO NOT SCALE PRINT. UNLESS SPECIFIED DIMENSIONS IN mm [IN] TOLERANCES ON:
 2 PLC DEC ± 0.20[.008]
 3 PLC DEC * -
 ANGLES * -

MATERIAL
 COPPER ASTM B-152 ANNEALED

FINISH
 TIN PLATE
 0.00254[.000100] MIN THK PER MIL-T-10727

DR 6/12/92
 DK SCHUM

CHK 6/26/92
 RD HEIM

APPD 6/26/92
 AJ KAUFMAN

APPD 6/26/92
 CR RHOADS

PRODUCT SPEC
 -

APPLICATION SPEC
 -

WEIGHT -

AMP AMP Incorporated
 Harrisburg, PA 17105-3608

NAME
 TERMINAL, RING TONGUE, SOLISTRAND™
 WIRE SIZE: 253.0-304.0mm² [500-600] MCM

SIZE A	CAGE CODE 00779	DRAWING NO C-322267
SCALE 1:1	SHEET 1 OF 1	

单击下面可查看定价，库存，交付和生命周期等信息

[>>TE Connectivity\(泰科\)](#)