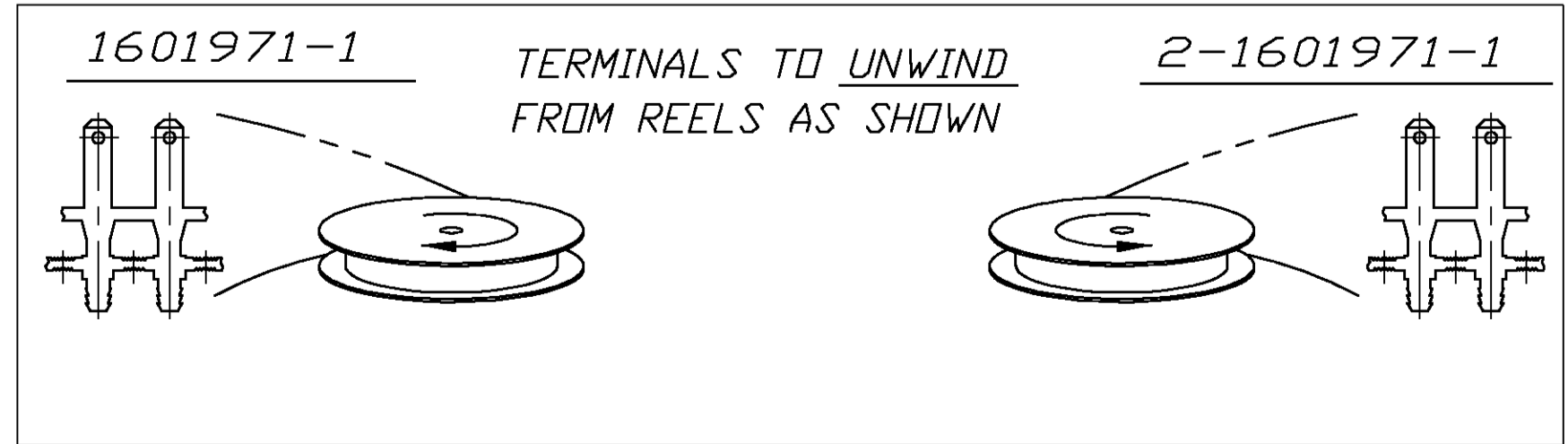
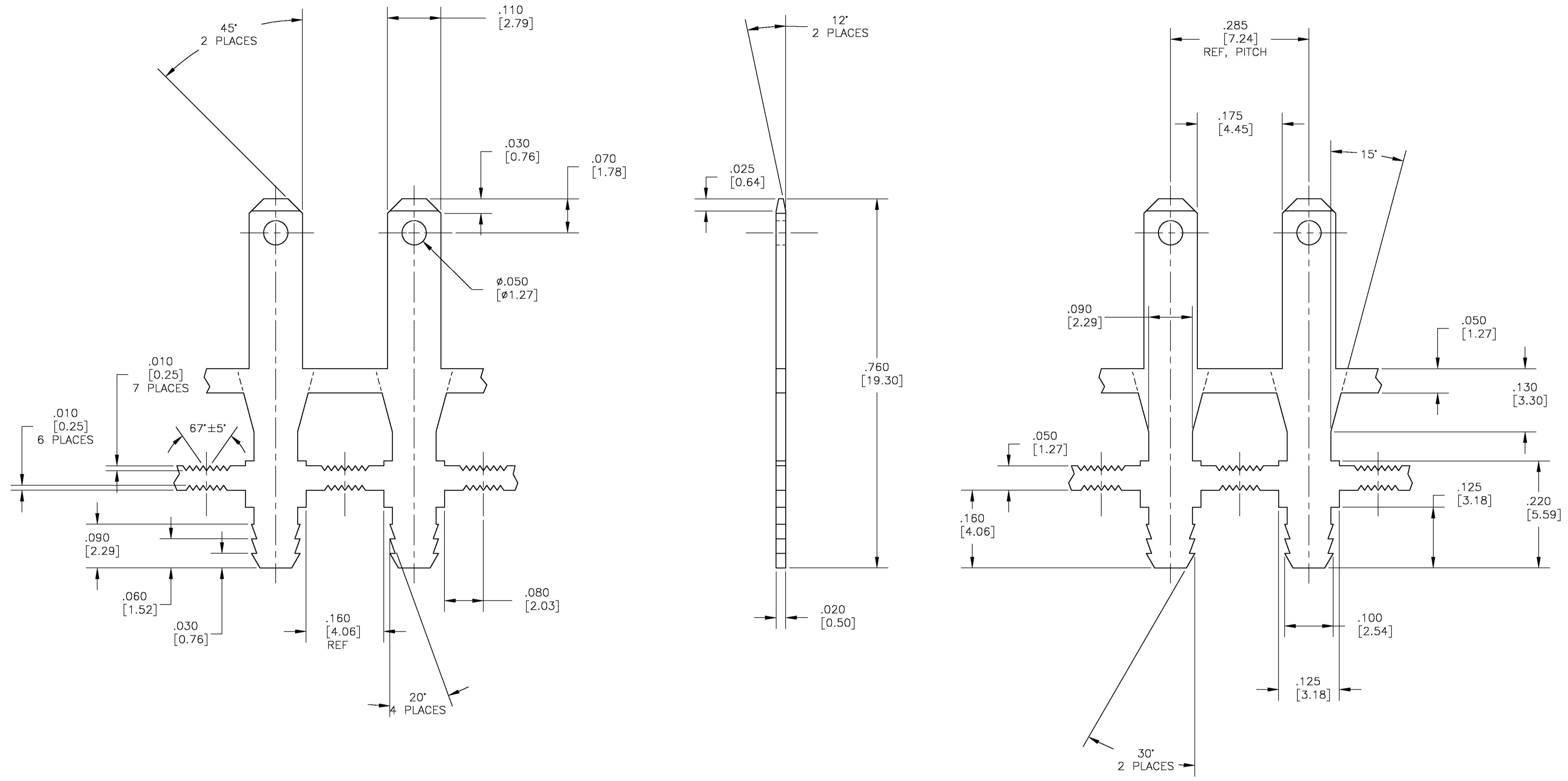


LOC		DIST		REVISIONS			
P	LR	DESCRIPTION	DATE	DRN	APVD		
B		PROPOSED PER OG63-003B-03	09APR03	JR	KR		

- 1 H04 BRASS, CDA 260.
- 2 .000200 [.00508] MIN TIN PLATE.
(REF ASTM B545 - SERVICE CLASS B).
- 3 ALL INSIDE AND OUTSIDE CORNERS,
.004 R ALLOWABLE.



THIS DRAWING IS A CONTROLLED DOCUMENT.		DIN M.S. FEHER 31OCT2002		Tyco Electronics Corporation	
DIMENSIONS: INCHES		TOLERANCES UNLESS OTHERWISE SPECIFIED:		Harriburg, PA 17105-3608	
0 PL	± -	APVD K.A. RANDOLPH 31OCT2002	NAME		
1 PL	± -	PRODUCT SPEC	TERMINAL, BOBBIN TAB, .110 FASTON		
2 PL	± .015[0.25]	APPLICATION SPEC	SIZE CAGE CODE DRAWING NO RESTRICTED TO		
3 PL	± .005[0.13]	WEIGHT	A1 00779 C=1601971		
4 PL	± -	CUSTOMER DRAWING	SCALE 8:1 SHEET 1 OF 1 REV B		
ANGLES	± ±				
MATERIAL	FINISH				

单击下面可查看定价，库存，交付和生命周期等信息

[>>TE Connectivity\(泰科\)](#)