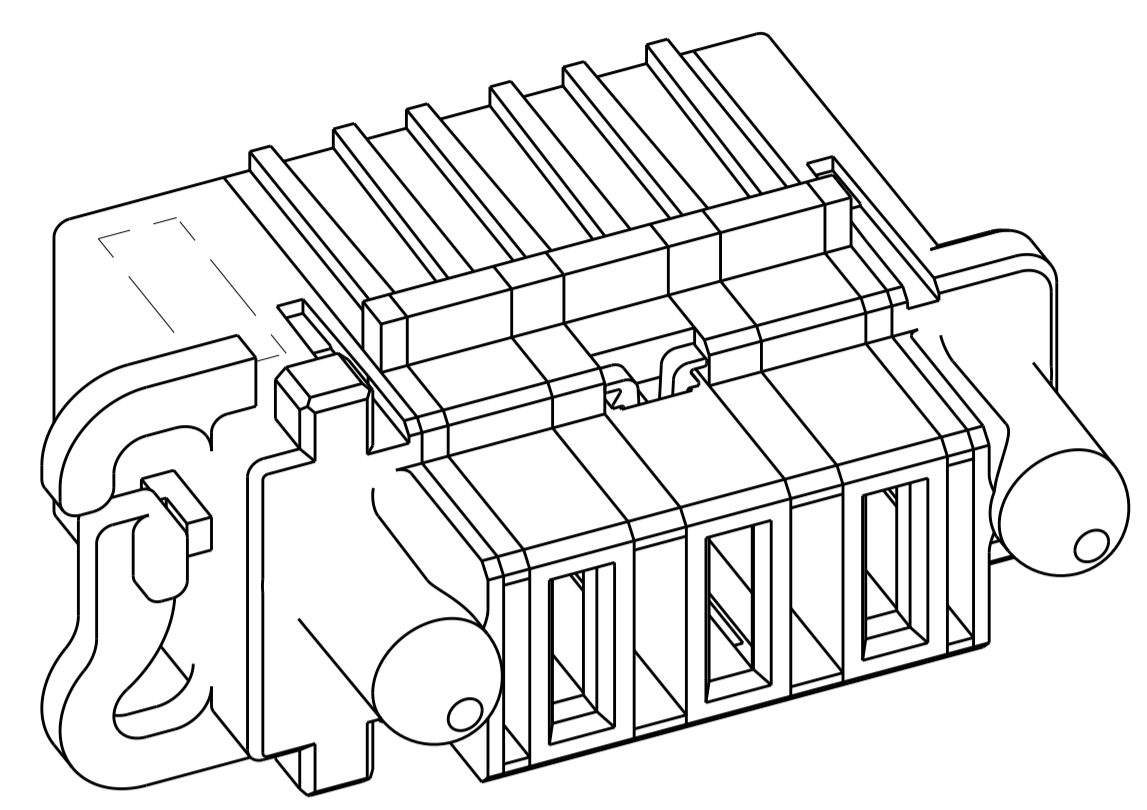
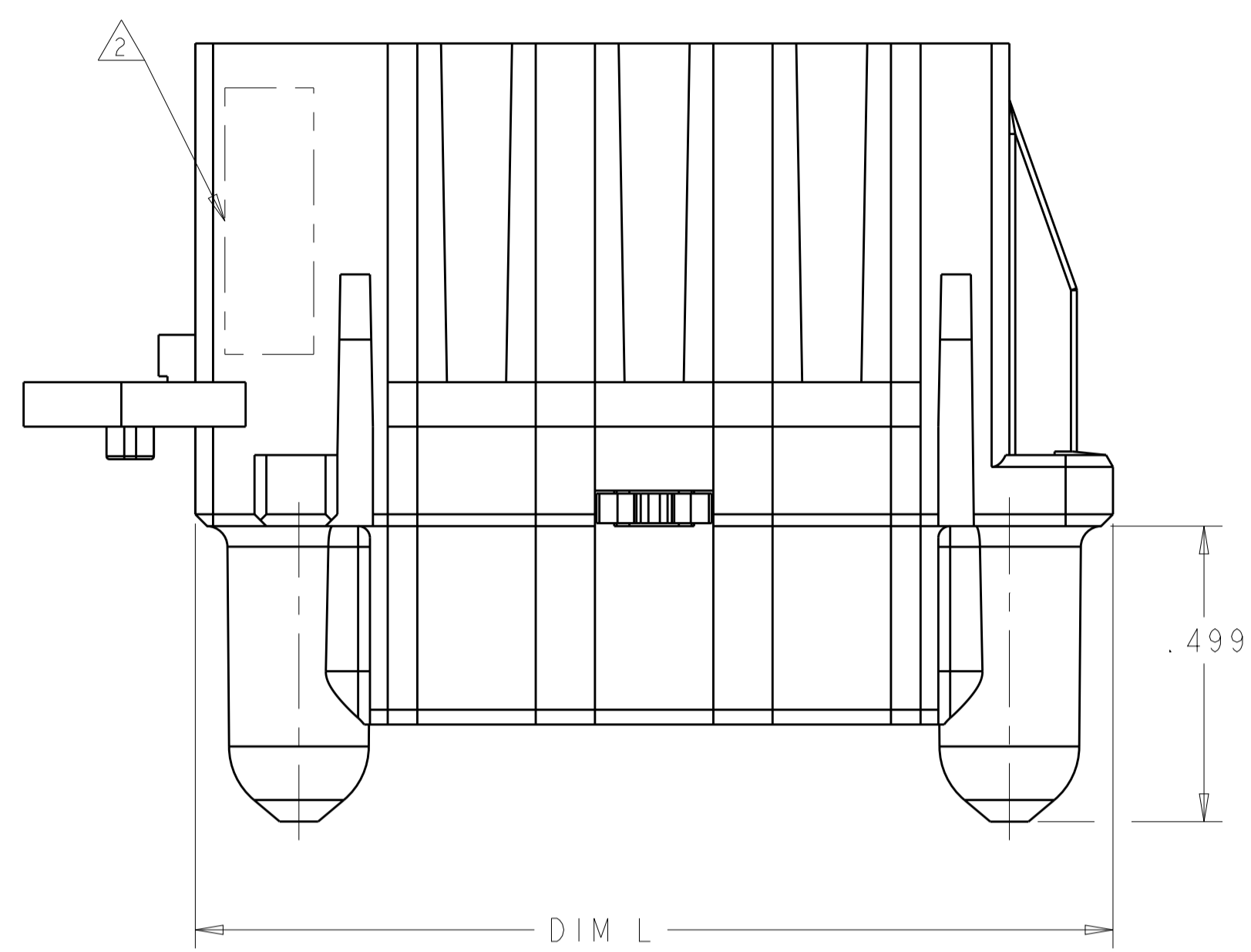


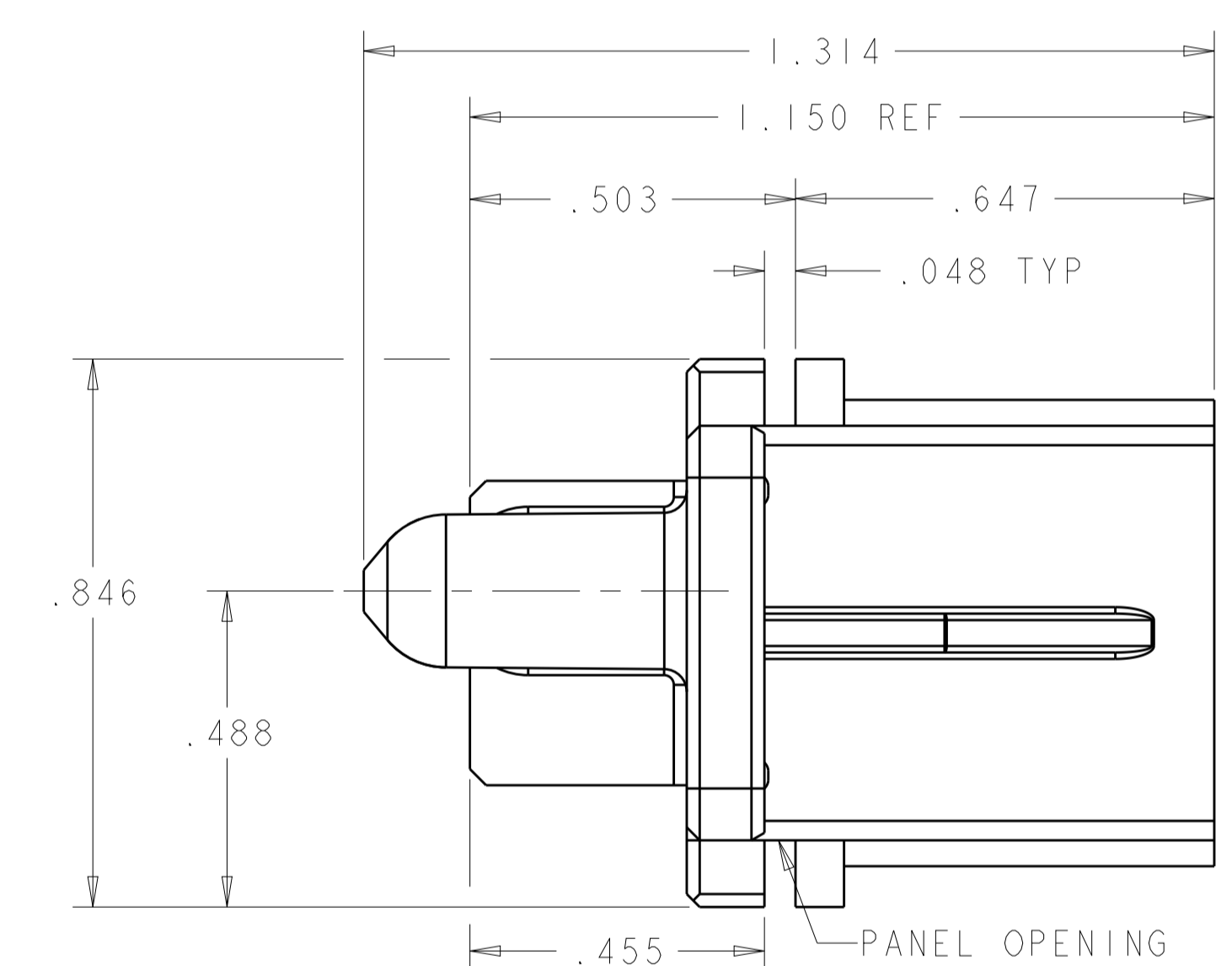
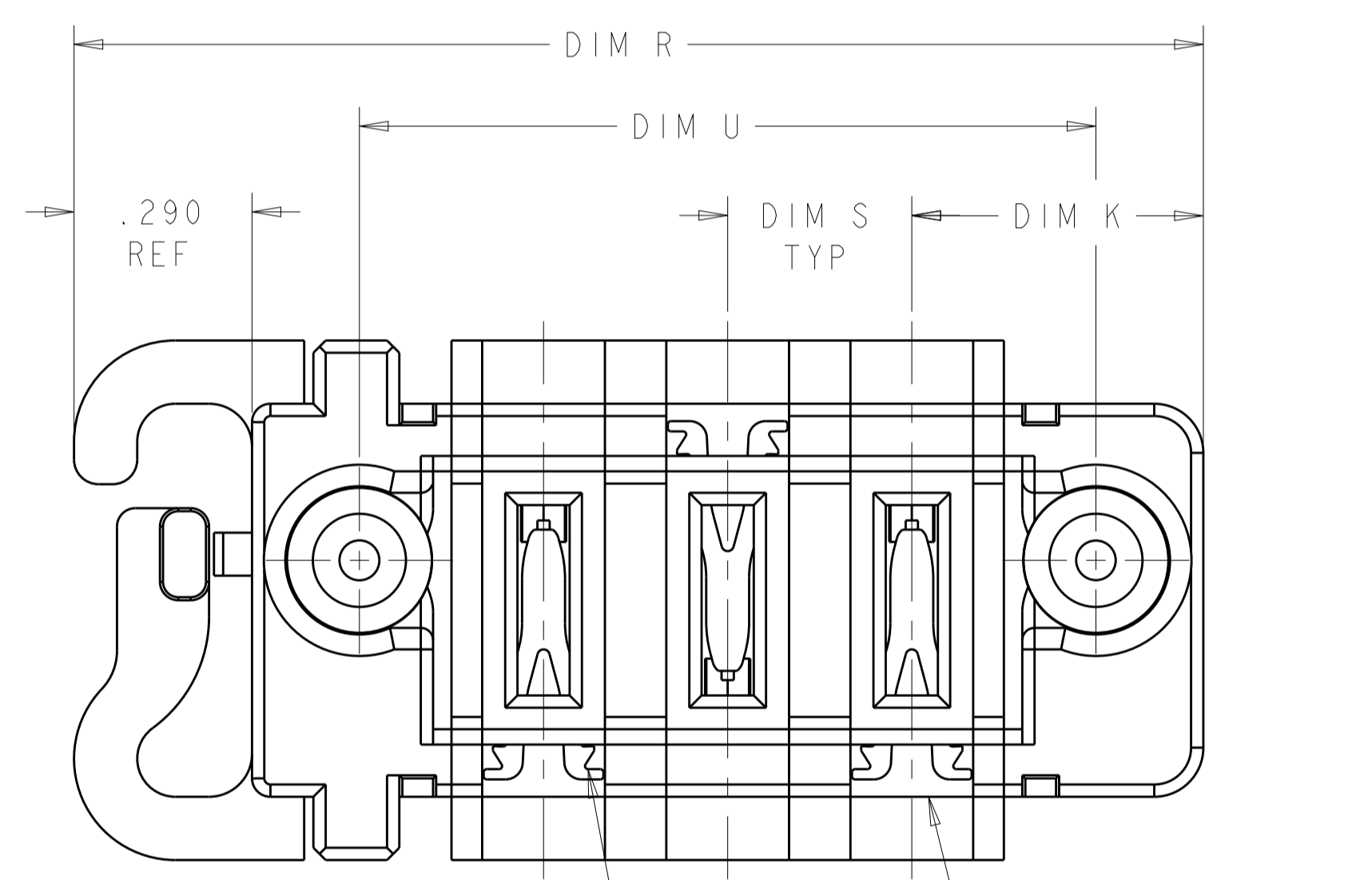
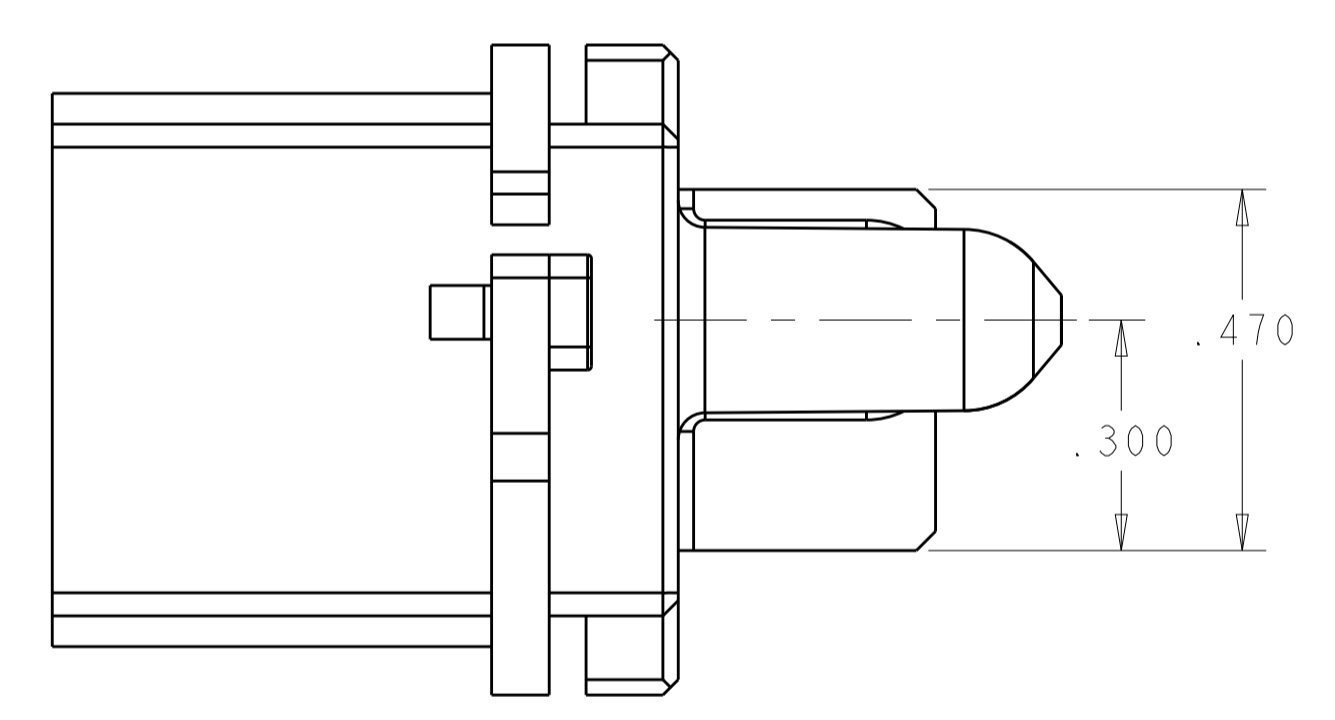
LOC	DIST	REVISIONS					
		P	LTN	DESCRIPTION	DATE	DWN	APVD
ES	00	D9		ADD NEW DASH NUMBER -19	09AUG2012	ML	SZ
		d9					



ISOMETRIC VIEW



- 1 MATERIAL: THERMO PLASTIC, UL94 V-0.
- 2 COMPANY TRADEMARK, PART NUMBER, AND DATE CODE TO BE MARKED IN AREA SHOWN.
- 3 PANEL THICKNESS = .040±.005
- 4 CONNECTOR KEEP OUT ZONE.
- 5 POWER CONTACT REFERENCE:  
PART NUMBER: 1600960 & 1600961  
MATERIAL: COPPER ALLOY  
FINISH (INTERFACE): .0000030 Au OVER .0000050 Ni
- 6 DASH NUMBERS INDICATED ARE NOT RELEASED FOR PRODUCTION.
- 7 VARIABLE DIMENSION SHOW ON THE TABLE.



REF: POWER SECONDARY LOCK  
PART NUMBER: 1600903-1

D9	3.465	△	2.825	3.175	.525	6ACP(8AWG)	2-292499-0
	1.840	.300	1.200	1.550	.475	3ACP(8AWG)	1-292499-9
D7	2.365	.375	1.725	2.075	.475	4P(8AWG)	1-292499-8
	2.040	.375	1.400	1.750	.500	3ACP(8AWG)	1-292499-6
	2.190	.300	1.550	1.900	.500	4ACP(10AWG)	1-292499-5
	1.940	.200	1.300	1.650	.425	5HDP(12AWG)	1-292499-4
	3.465	△	2.825	3.175	.525	6ACP(10AWG)	1-292499-3
	2.340	.200	1.700	2.050	.425	7HDP(12AWG)	1-292499-2
△6	2.440	.300	1.800	2.150	.475	5ACP(8AWG)	1-292499-1
	2.440	.250	1.800	2.150	.450	6P(12AWG)	292499-8
	2.940	.250	2.300	2.650	.450	8P(12AWG)	292499-7
	1.940	.250	1.300	1.650	.450	4P(12AWG)	292499-4
	2.140	.300	1.500	1.850	.475	4ACP(12AWG)	292499-3
	2.440	.300	1.800	2.150	.475	5ACP(12AWG)	292499-2
	1.840	.300	1.200	1.550	.475	3ACP(12AWG)	292499-1
	DIM R REF	DIM S	DIM U	DIM L	DIM K	DESCRIPTION	PART NUMBER

THIS DRAWING IS A CONTROLLED DOCUMENT.

DIMENSIONS: INCHES

TOLERANCES UNLESS OTHERWISE SPECIFIED:

0 PLC	±
1 PLC	±.01
2 PLC	±.02
3 PLC	±.005
4 PLC	±.002
ANGLES	±1°

MATERIAL: △

FINISH:

Customer Drawing

DWN: S. ZHAO 08AUG2006  
CHK: S. ZHAO 08AUG2006  
APVD: S. ZHAO

PRODUCT SPEC: 108-2157  
APPLICATION SPEC: 114-13112

NAME: SLIDE TO LOCK PANEL MOUNT CABLE RECEPTACLE HOUSING, WITH GUIDES, MULTI-BEAM XL

SIZE: A1  
CAGE CODE: 100779  
DRAWING NO: 292499

RESTRICTED TO: E

SCALE: 1:1 SHEET 1 OF 3 REV E

LOC	DIST	REV	DATE	BY	APPV
ES	00				

REVISIONS					
NO.	DATE	DESCRIPTION	BY	APPV	REV
-	-	SEE SHEET 1	-	-	-

PART NUMBER	ROWS	POWER		
		P3	P2	P1
292499-1	D C B A	RM	RA	RM
3ACP				

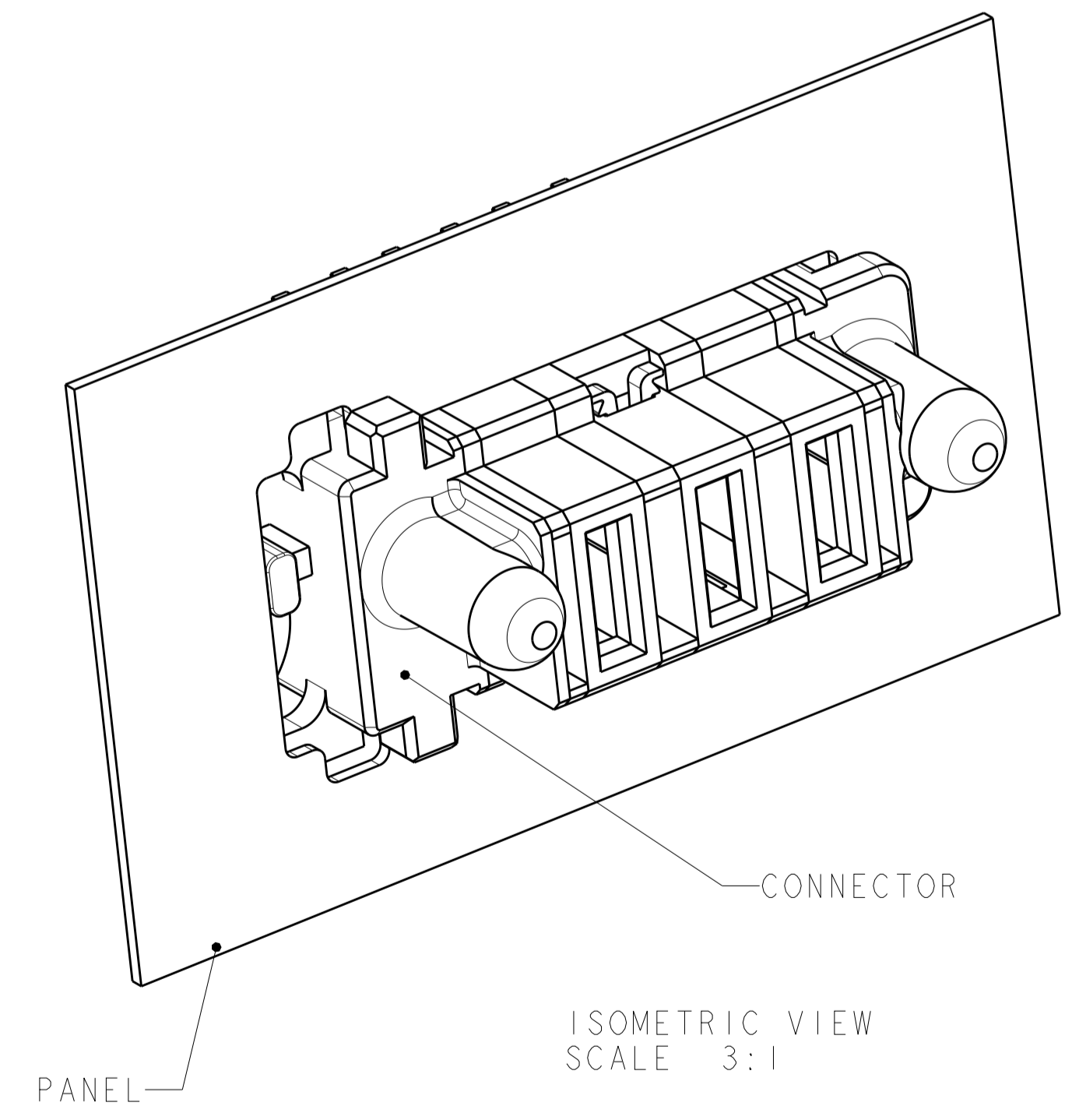
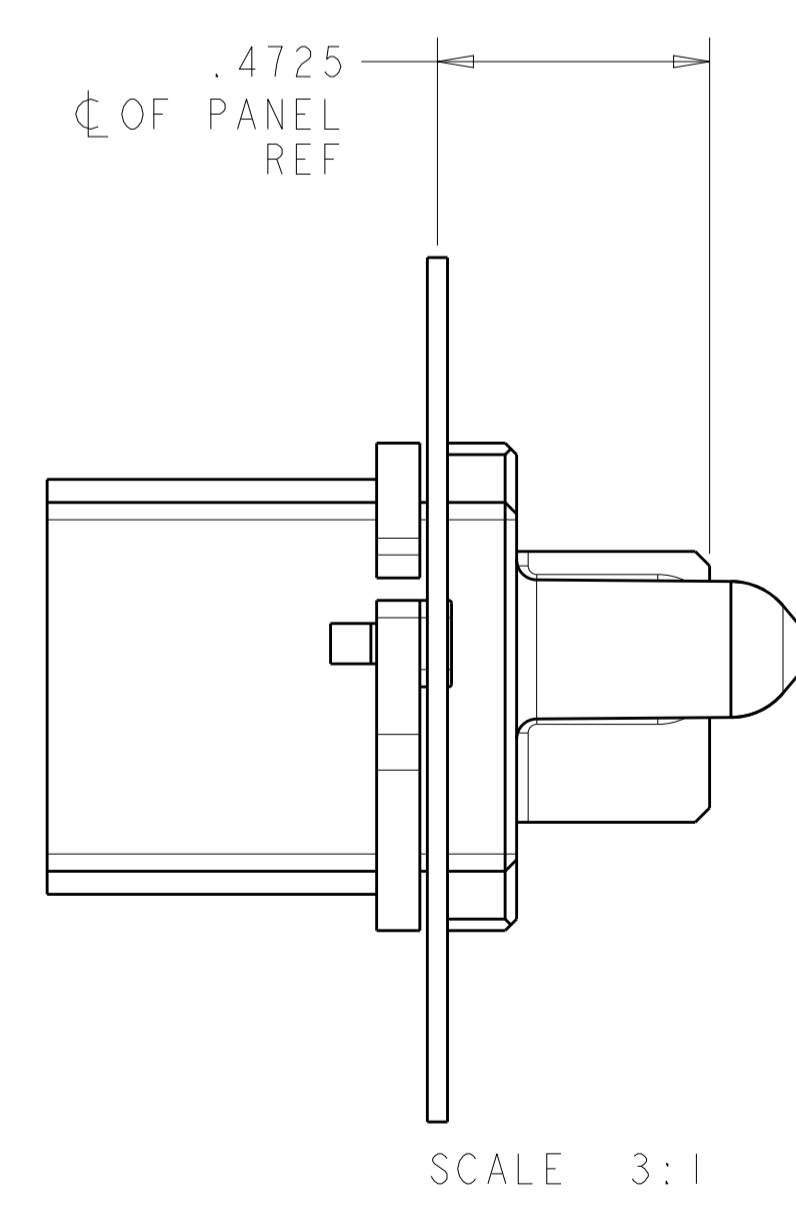
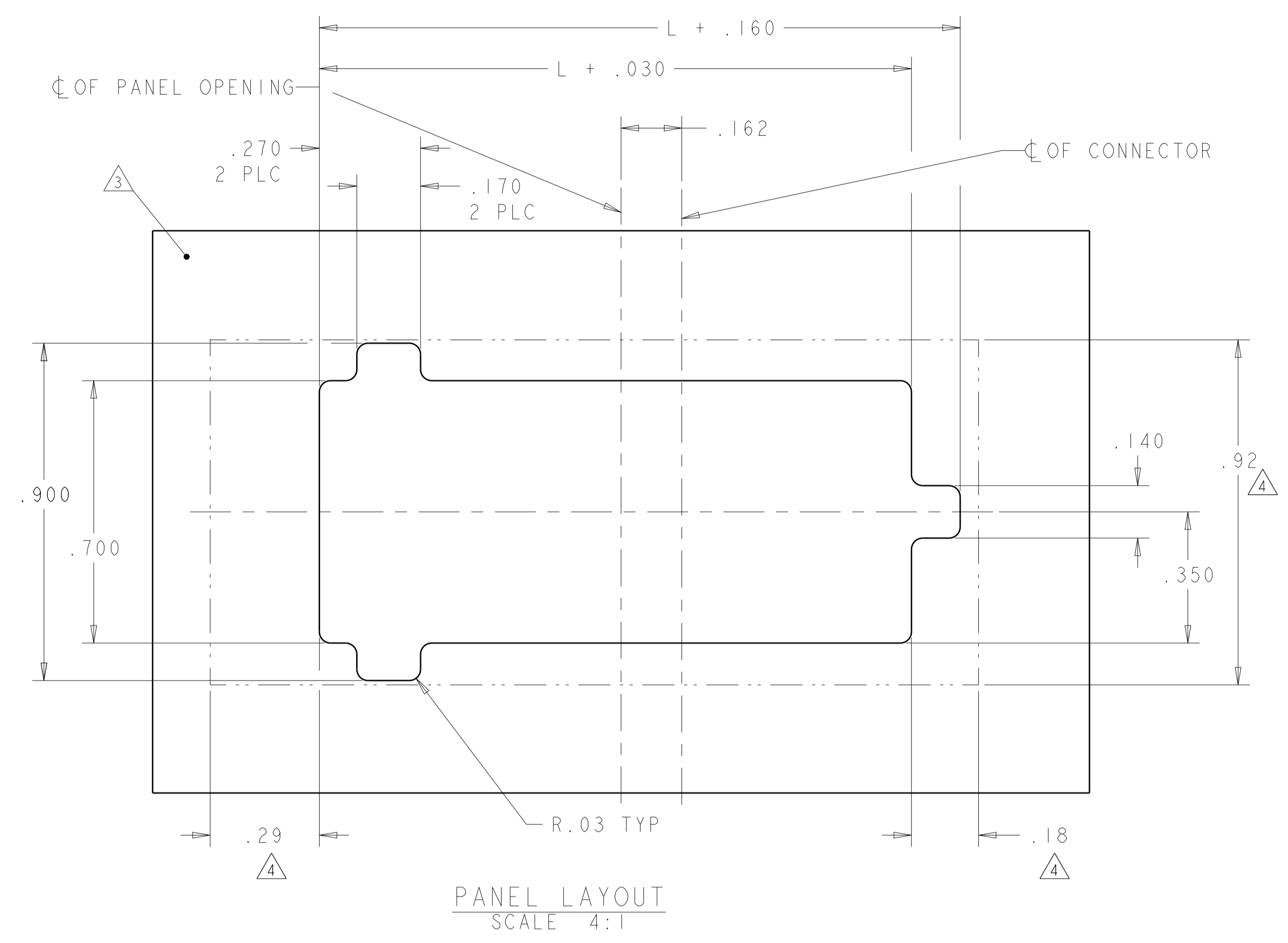
PART NUMBER	ROWS	POWER				
		P5	P4	P3	P2	P1
292499-2	D C B A	RM	RA	RM	RA	RM
5ACP						

PART NUMBER	ROWS	POWER			
		P4	P3	P2	P1
292499-3	D C B A	RM	RM	RM	RM
4ACP					

PART NUMBER	ROWS	POWER			
		P4	P3	P2	P1
292499-4	D C B A	RM	RM	RM	RM
4P					

PART NUMBER	ROWS	POWER							
		P8	P7	P6	P5	P4	P3	P2	P1
292499-7	D C B A	RM	RM	RM	RM	RM	RM	RM	RM
8P									

PART NUMBER	ROWS	POWER					
		P6	P5	P4	P3	P2	P1
292499-8	D C B A	RM	RM	RM	RM	RM	RM
6P							



CODE	DESCRIPTION
RM	STANDARD POWER CONTACT
RA	MFBL POWER CONTACT

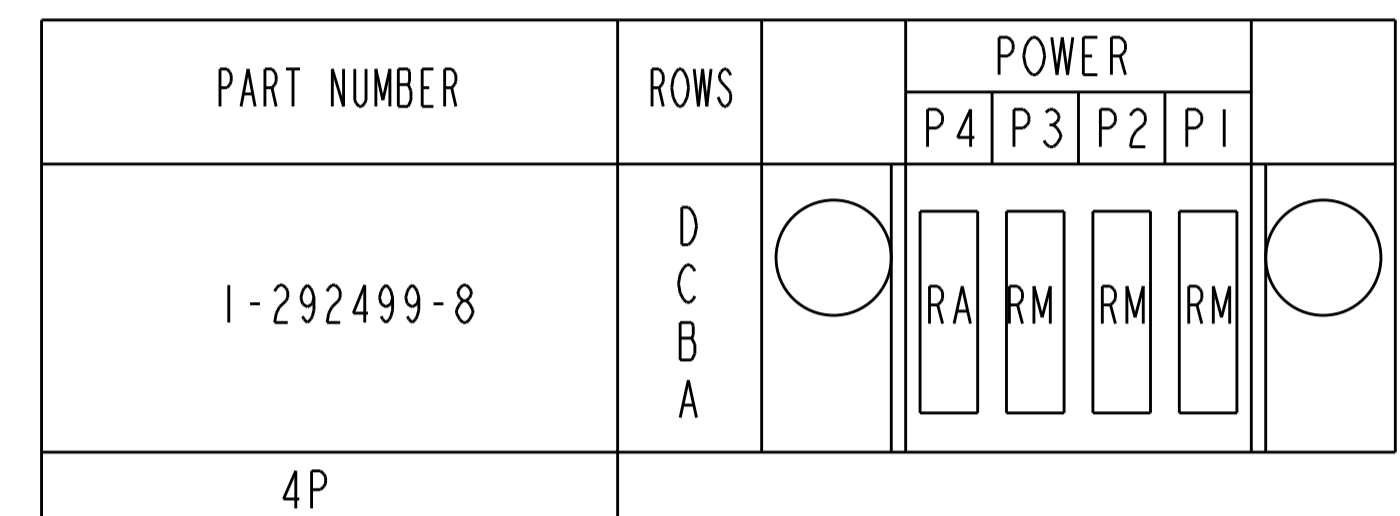
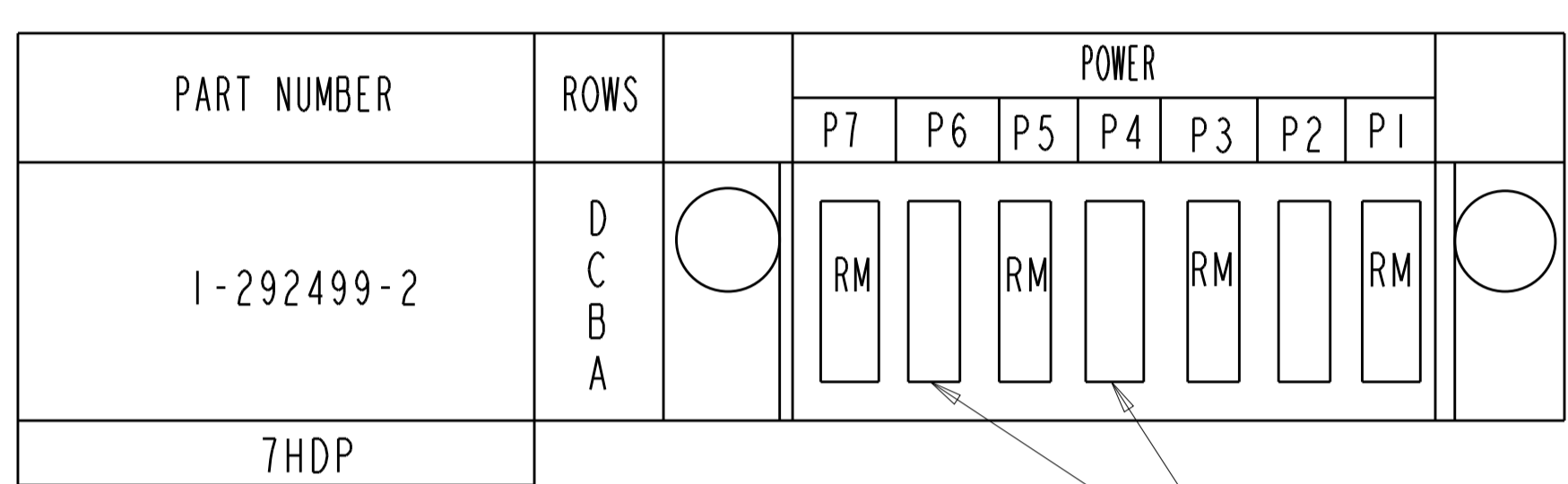
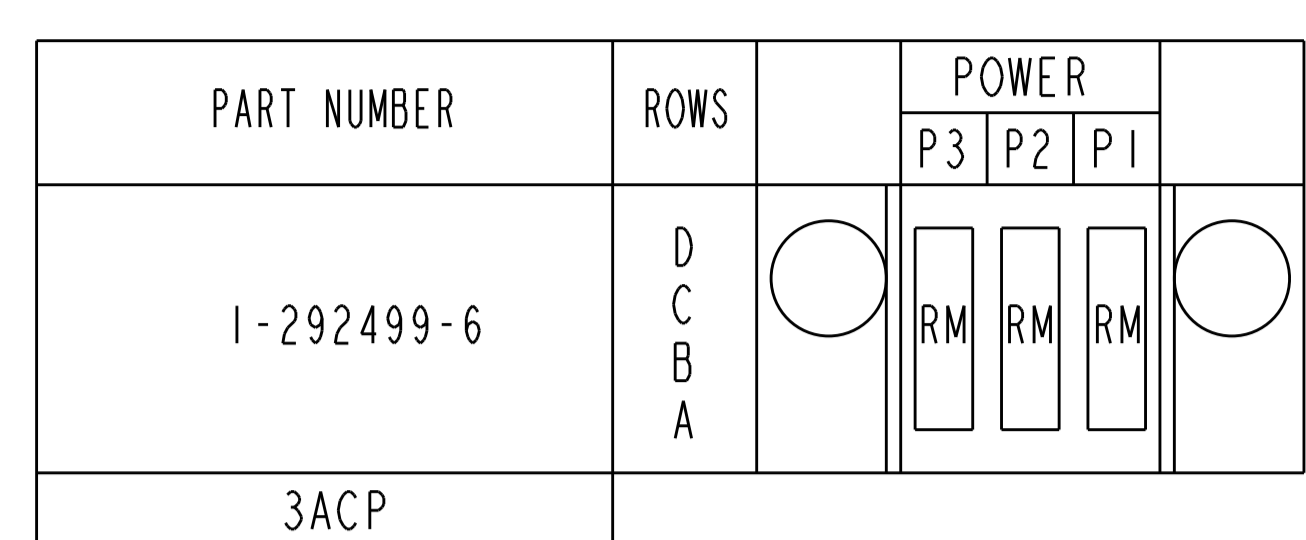
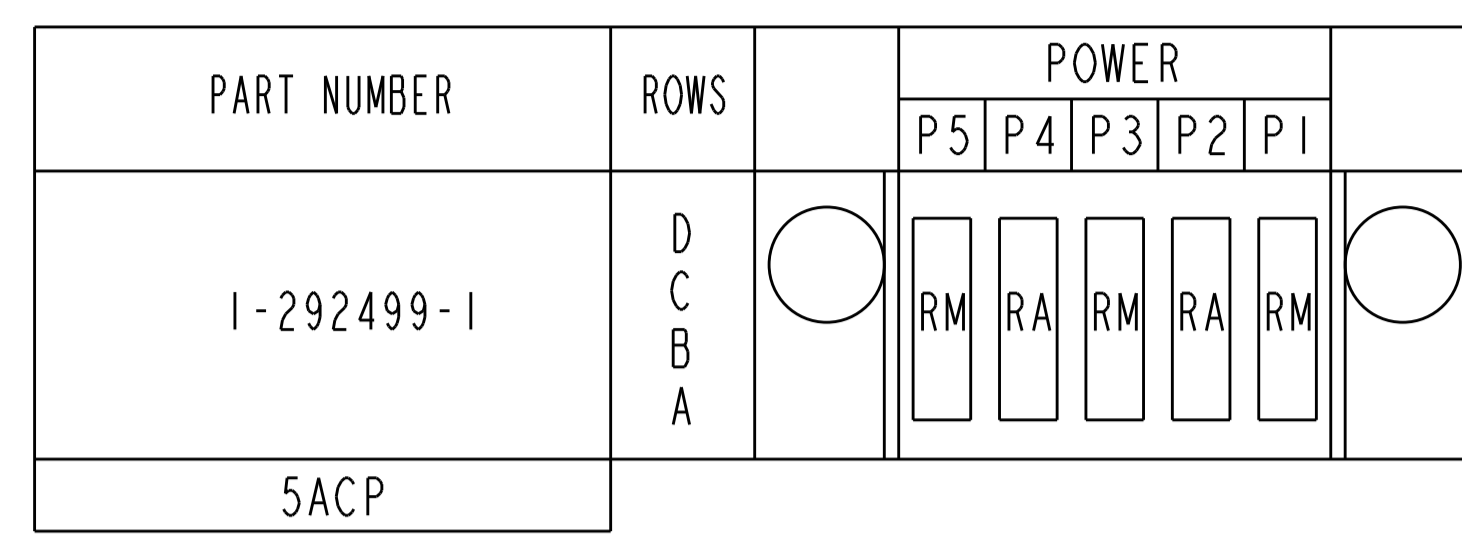
CONTACT TABLE

THIS DRAWING IS A CONTROLLED DOCUMENT.		DWN S. ZHAO CHK S. ZHAO APVD S. YAO	08AUG2006 08AUG2006	<b>STE</b> TE Connectivity
DIMENSIONS: INCHES	TOLERANCES UNLESS OTHERWISE SPECIFIED:	NAME S. YAO	PRODUCT SPEC	
	0 PLC ±. 1 PLC ±.01 2 PLC ±.01 3 PLC ±.005 4 PLC ±.002 ANGLES ±.002	APPLICATION SPEC	RESTRICTED TO	
MATERIAL	FINISH	WEIGHT	SCALE 1:1	
Customer Drawing		SIZE CAGE CODE DRAWING NO A100779C=292499	SHEET 2 OF 3	

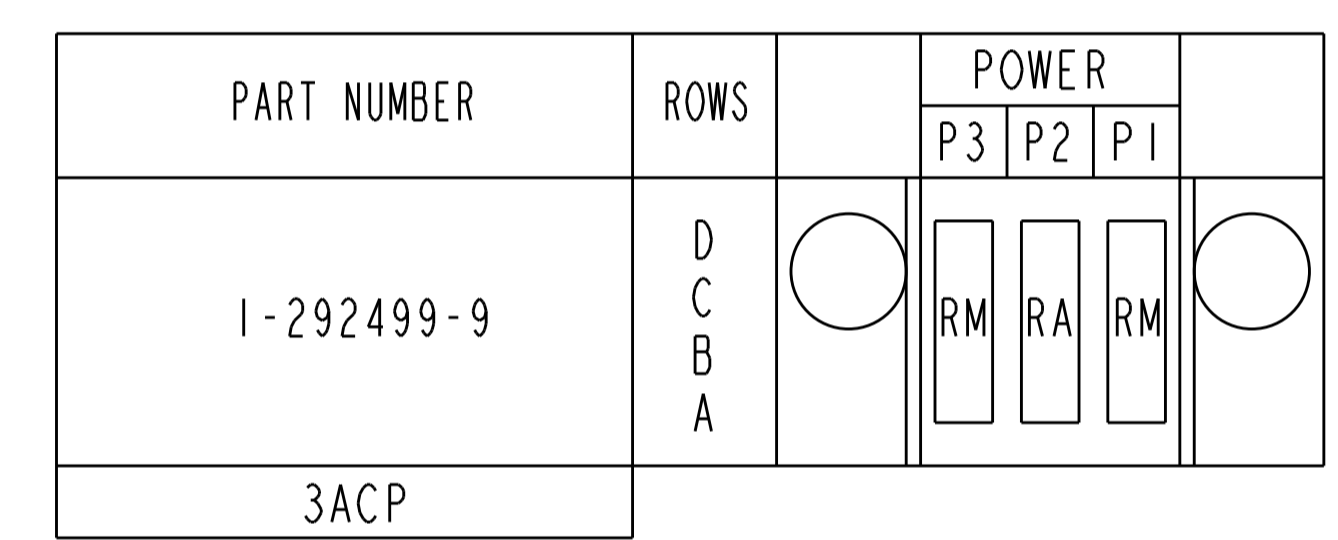
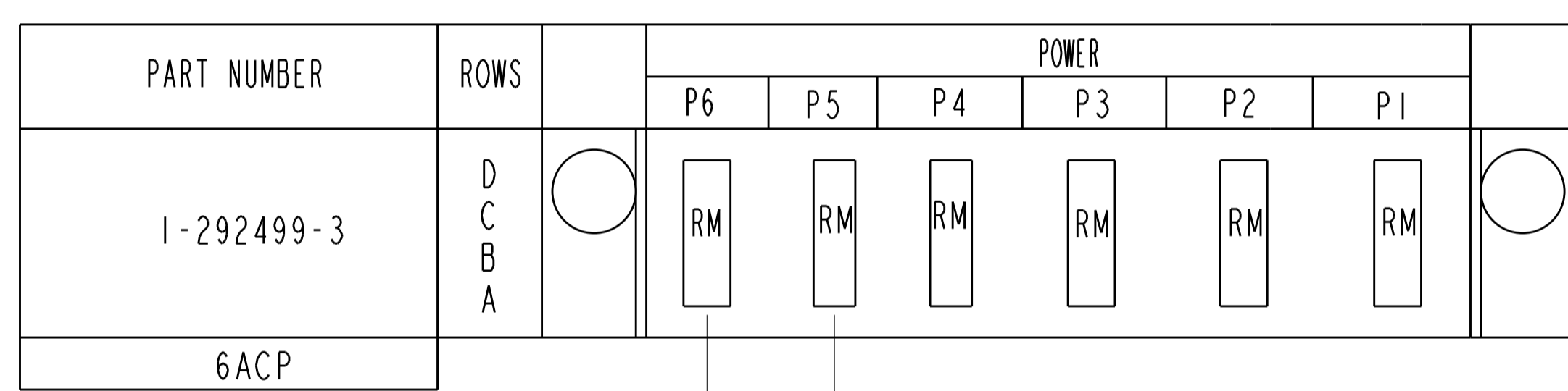
LOC	DIST	REV	DATE	BY	CHK	APPV
ES	00					

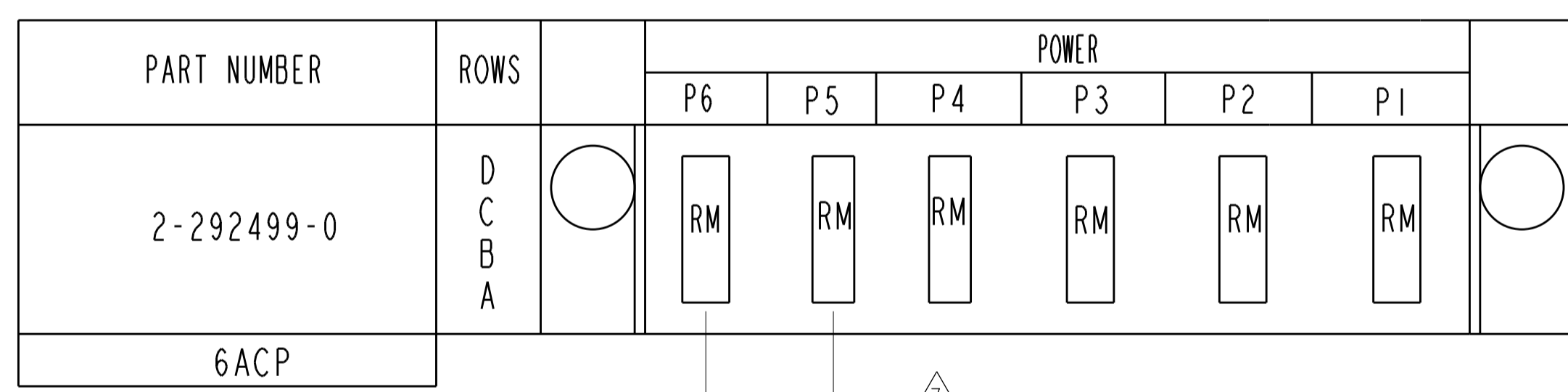
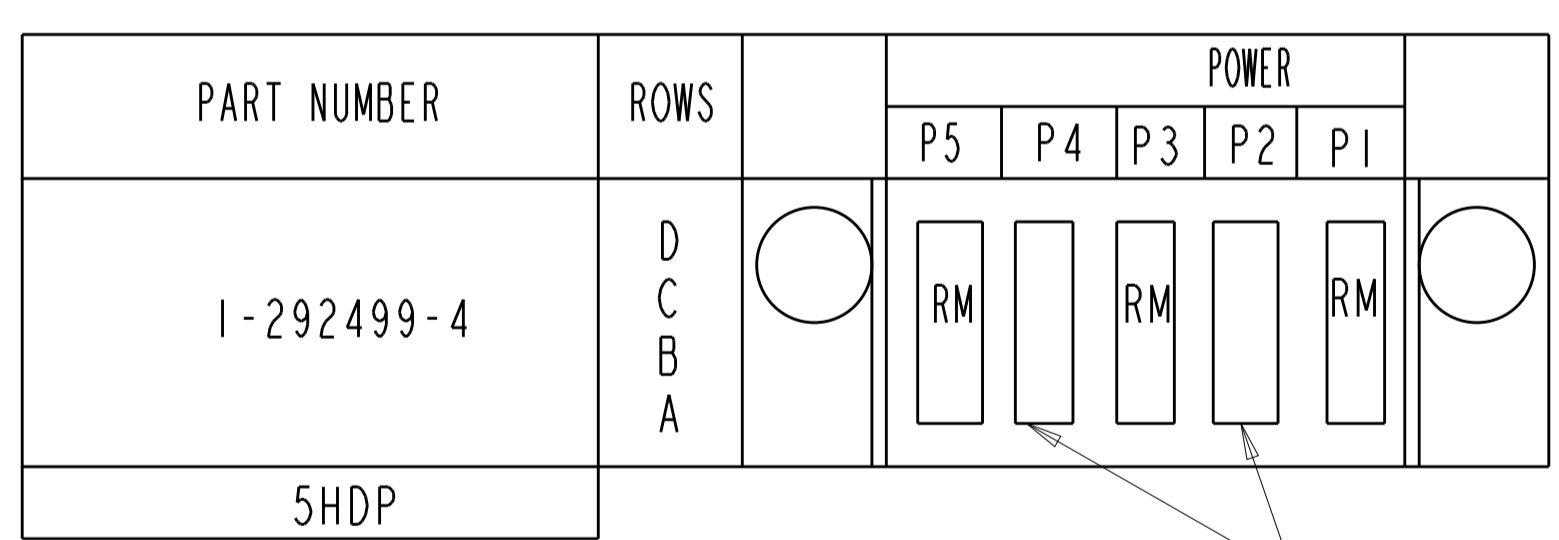
REVISIONS			
REV	DATE	BY	APPV
-	-	-	-
-	-	-	-



NO LOADING CONTACT

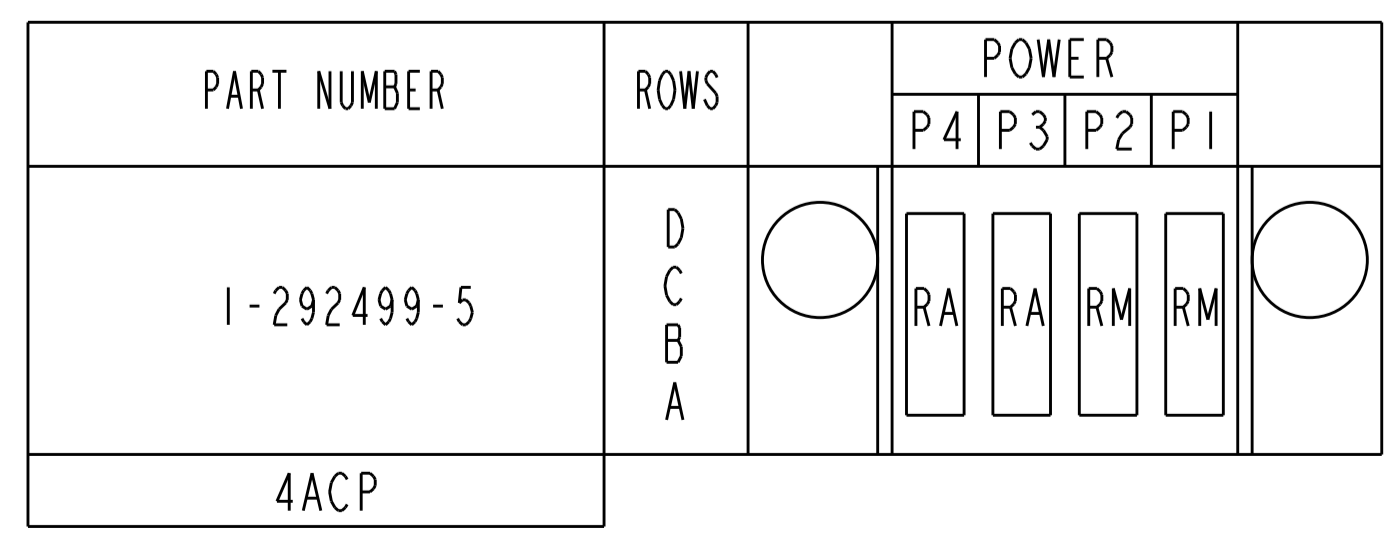


.425  
5PLC



.425  
5PLC

NO LOADING CONTACT



THIS DRAWING IS A CONTROLLED DOCUMENT.		DWN: S.ZHAO 08AUG2006 CHK: S.ZHAO 08AUG2006 APVD: S.YAO PRODUCT SPEC APPLICATION SPEC	TE Connectivity NAME: SLIDE TO LOCK PANEL MOUNT CABLE RECEPTACLE HOUSING, WITH GUIDES, MULTI-BEAM XL SIZE: A100779 C=292499 RESTRICTED TO:
DIMENSIONS: INCHES 	TOLERANCES UNLESS OTHERWISE SPECIFIED: 0 PLC ±. 1 PLC ±.01 2 PLC ±.01 3 PLC ±.005 4 PLC ±.002 ANGLES ±.1°	WEIGHT: - MATERIAL: - FINISH: - Customer Drawing	
DIMENSIONS: INCHES 		SCALE: 1:1 SHEET: 3 OF 3 REV: E	

单击下面可查看定价，库存，交付和生命周期等信息

[>>TE Connectivity\(泰科\)](#)