

4

3

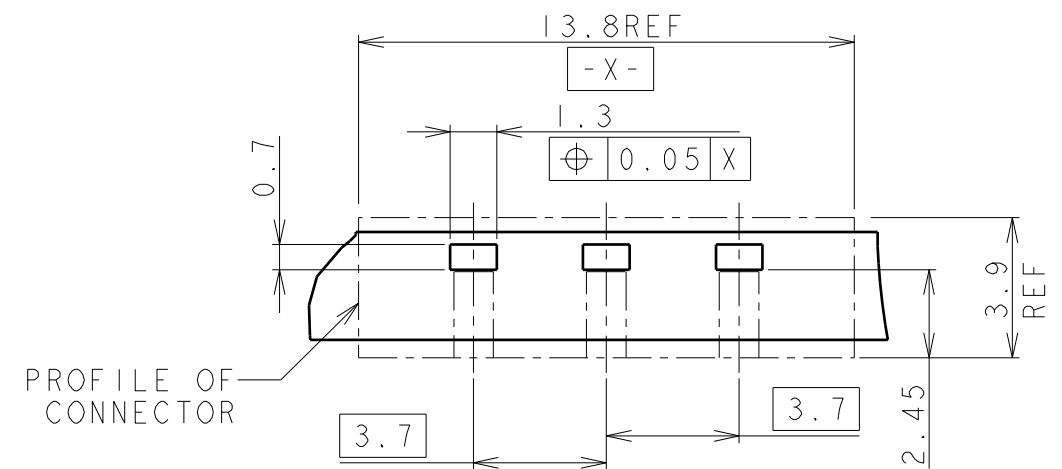
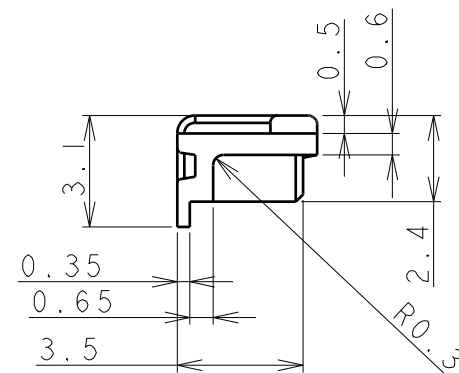
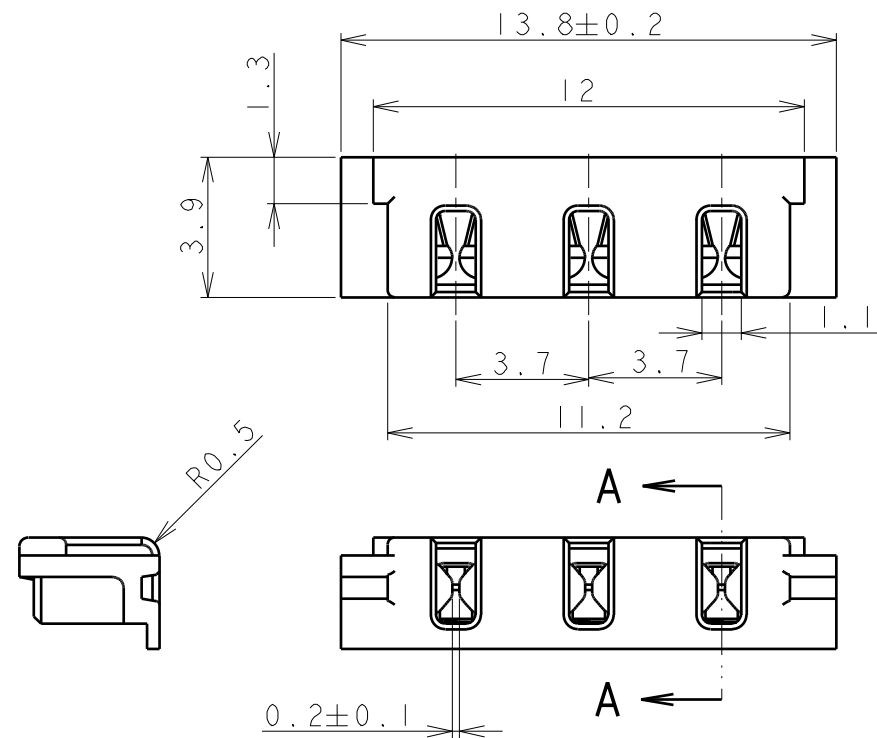
2

1

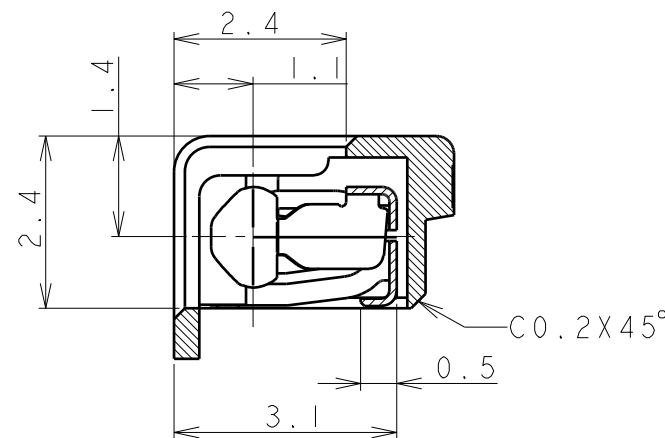
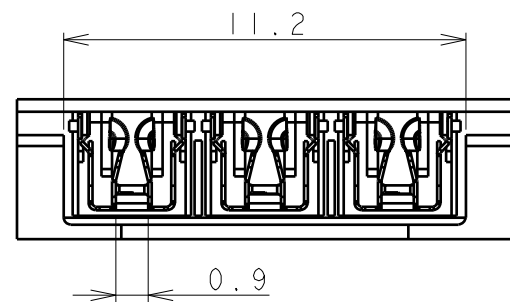
THIS DRAWING IS UNPUBLISHED. RELEASED FOR PUBLICATION 20  
© COPYRIGHT 20 BY TYCO ELECTRONICS CORPORATION. ALL RIGHTS RESERVED.

LOC	DIST	REVISIONS			
P	LTR	DESCRIPTION	DATE	DWN	APVD
ES		A	ORIGINAL RELEASE	07-Jul-09	L.W S.Y

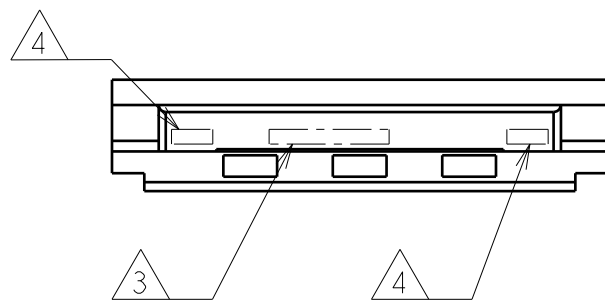
AS SHOWN : - 1



RECOMMENDED PCB LAYOUT  
GENERAL TOLERANCE: ±0.05  
(VIEW FROM CONNECTOR MOUNTING SIDE)



SECTION A - A  
SCALE 10:1



- △ MATERIAL  
CONTACT : COPPER ALLOY  
HOUSING : THERMOPLASTIC, UL94V-0 BLACK
- △ FINISH  
CONTACT : NICKEL ALL OVER UNDER PLATING,  
GOLD PLATING AT CONTACT AREA,  
GOLD FLASH PLATING AT SOLDER AREA.
- △ DATE CODE.
- △ MOLD CAVITY ID ON ONE OF THE INDICATED SIDE SURFACE.

THIS DRAWING IS A CONTROLLED DOCUMENT FOR TYCO ELECTRONICS CORPORATION IT IS SUBJECT TO CHANGE AND THE CONTROLLING ENGINEERING ORGANIZATION SHOULD BE CONTACTED FOR THE LATEST REVISION.		DWN LUCKY WANG 24-Apr-09	Tyco Electronics Corporation Shanghai, P.R.China, 200233	
DIMENSIONS: mm		CHK WENKE HE 24-Apr-09	NAME FBIS RECEPTACLE ASSY	
TOLERANCES UNLESS OTHERWISE SPECIFIED: ±0.3		APVD STEVEN YAO 24-Apr-09	PRODUCT SPEC 108-xxx	
0 PLC ± 1 PLC ± 2 PLC ± 3 PLC ± 4 PLC ± ANGLES ±3°		APPLICATION SPEC -	SIZE A300779	CAGE CODE C-1932372
MATERIAL 1.	FINISH 2.	WEIGHT -	DRAWING NO -	RESTRICTED TO -
CUSTOMER DRAWING			SCALE 5:1	SHEET 1 OF 1 REV A

单击下面可查看定价，库存，交付和生命周期等信息

[>>TE Connectivity\(泰科\)](#)