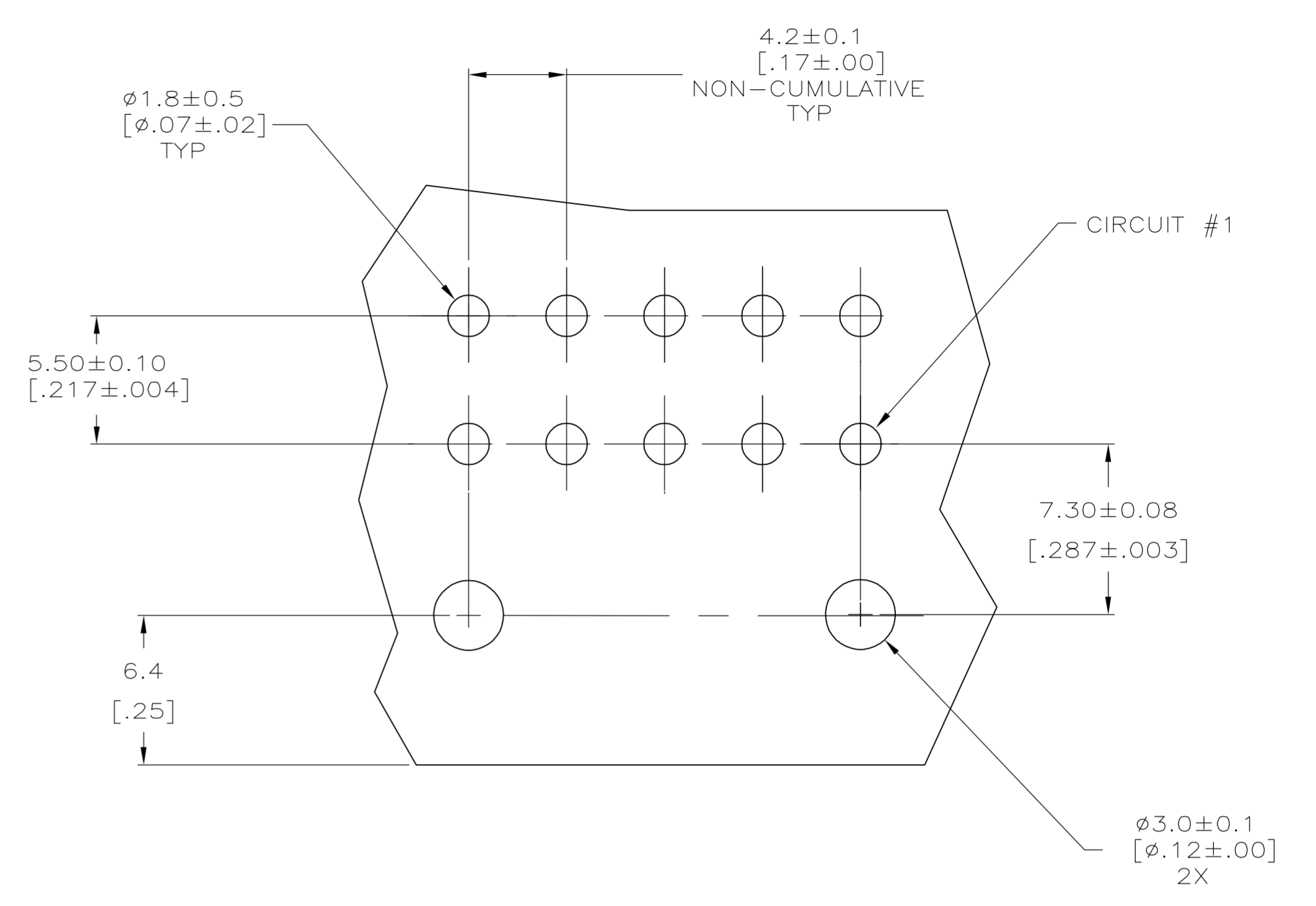
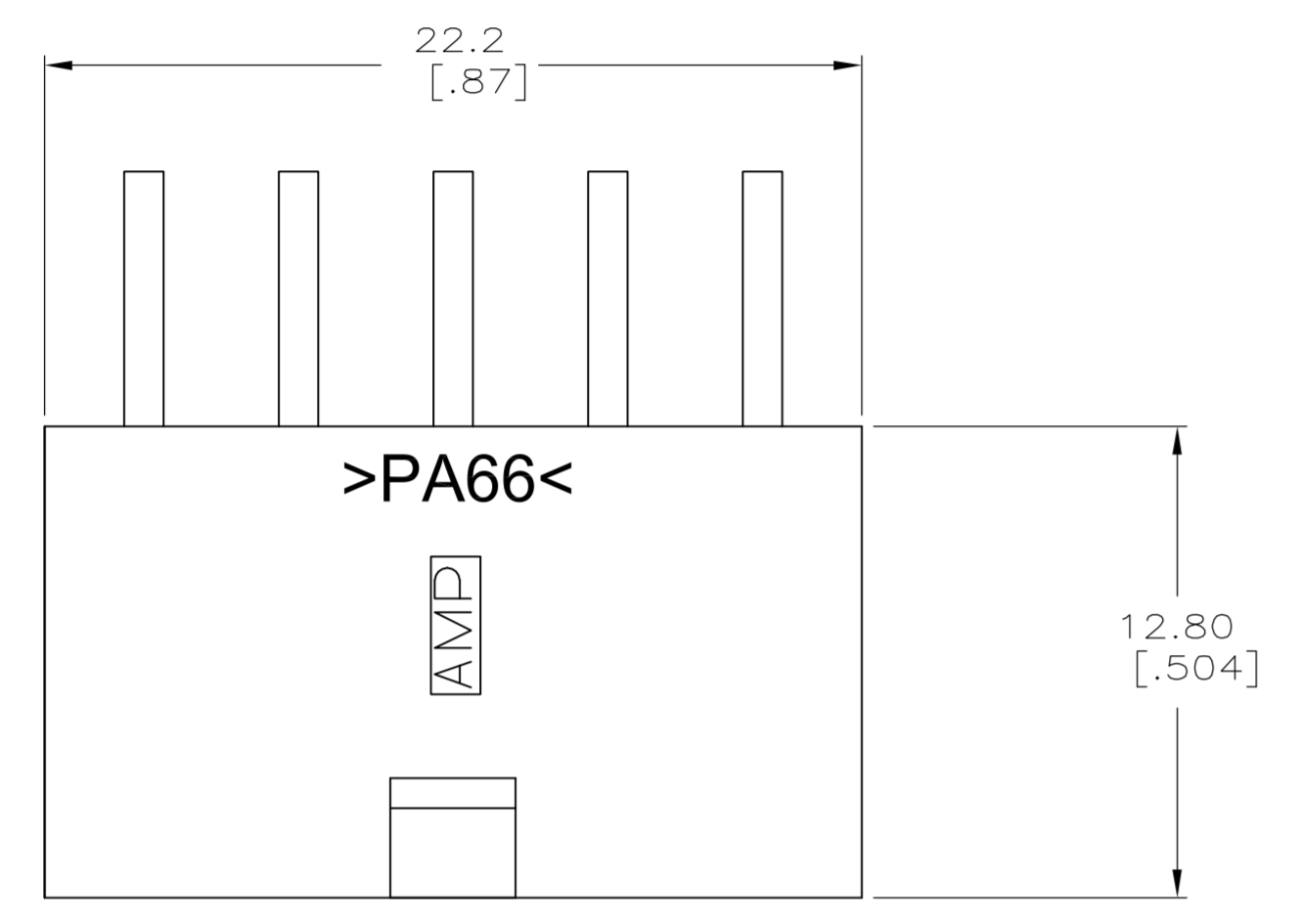
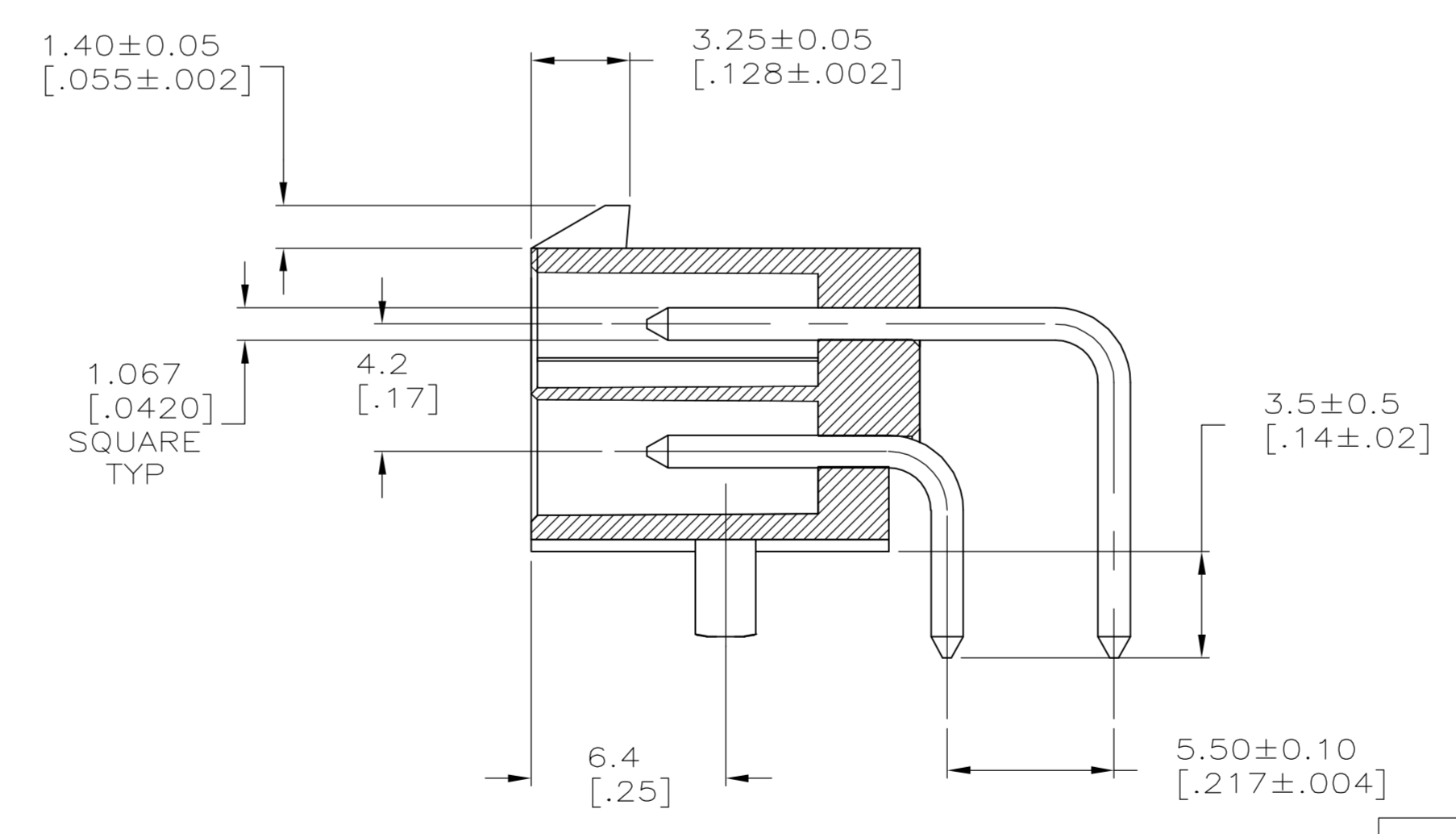
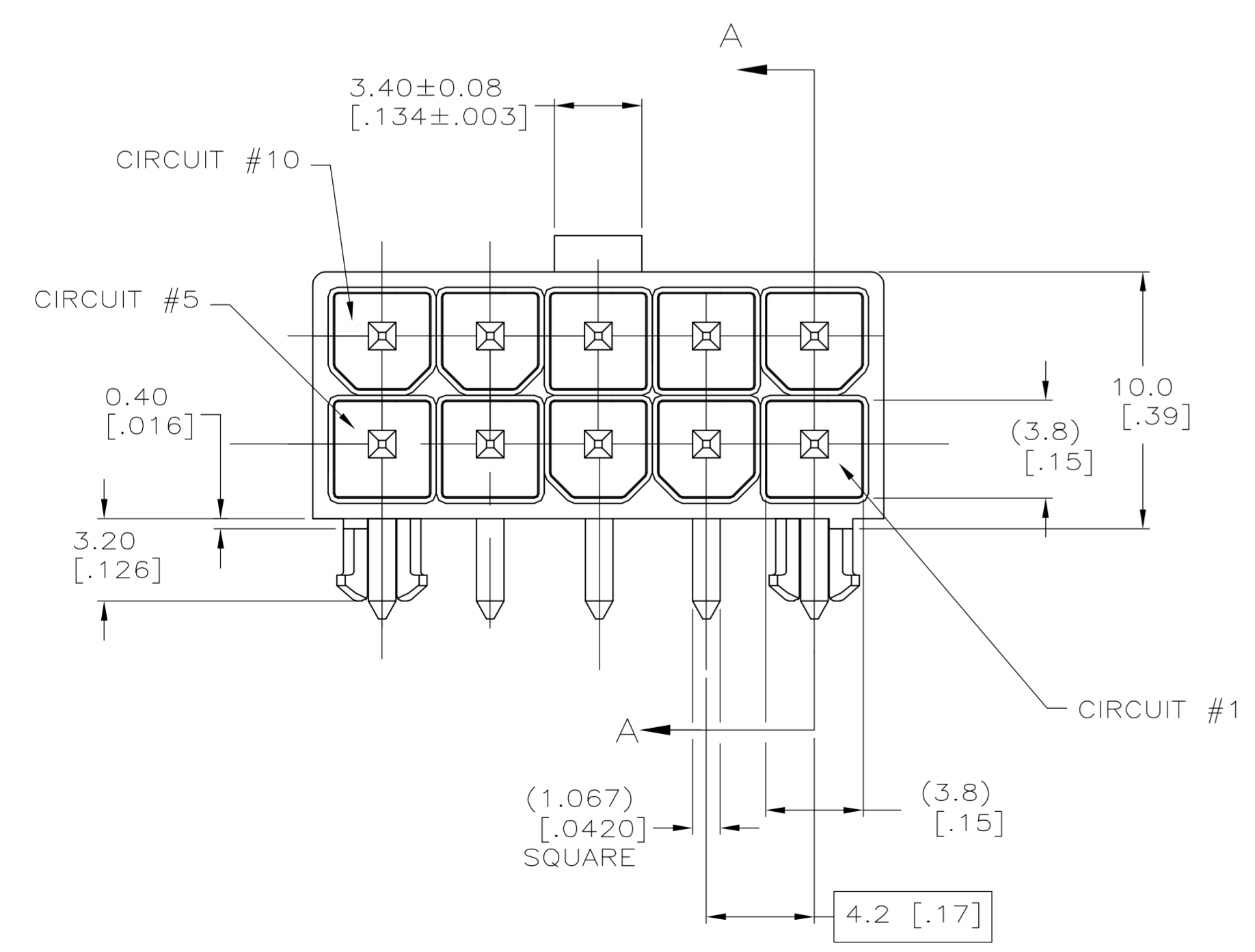


- 1 MATERIAL: HOUSING - NYLON, UL94V-2 (COLOR - NATURAL).
PIN - 1.067mm² [.0017in²] COPPER ALLOY.
- 2 PINS TO COMPLY WITH SOLDERABILITY SPEC 109-11-3.
- 3 0.00381 [.000150] MINIMUM TIN LEAD OVER 0.00127 [.000050] MINIMUM NICKEL, ENTIRE LENGTH OF PIN.
- 4 NOTE DELETED.
- 5 0.00381 [.000150] MINIMUM TIN OVER 0.00127 [.000050] MINIMUM NICKEL, ENTIRE LENGTH OF PIN.



RECOMMENDED MOUNTING HOLE PATTERN FOR 1.78 [.070] MAX THICK P.C. BOARD COMPONENT SIDE SHOWN



SECTION A-A

SUPERSEDED BY 1-794510-1

1	5	1	1	1-794510-1
1	3	1	1	794510-1
MATERIAL	FINISH	MATERIAL	COLOR	
PIN		HOUSING		ASSEMBLY

METRIC

THIS DRAWING IS A CONTROLLED DOCUMENT.

DIMENSIONS:	mm [INCHES]	TOLERANCES UNLESS OTHERWISE SPECIFIED:	0 PLC ± .02 [.01]	1 PLC ± .013 [.005]	2 PLC ± .013 [.005]	3 PLC ± .013 [.005]	4 PLC ± .013 [.005]	ANGLES: ± 30°			
MATERIAL	SEE CHART	FINISH	SEE CHART	DRN S. HOOVER	02-MAR-2005	CHK D. COLEY	02-MAR-2005	APVD D. COLEY	02-MAR-2005	NAME	Tyco Electronics Corporation Harrisburg, Pa 17105-3608
CUSTOMER DRAWING			SCALE 5:1		SHEET 1 OF 1		REV D		Tyco Electronics Corporation ASSEMBLY, HEADER, RIGHT ANGLE, 10 POSITION, W/PEGS, 94V-2, AMP-DUAC™ POWER CONNECTOR APPLICATION SPEC 114-6067 SIZE A1 CASE CODE 00779 ©=794510		

单击下面可查看定价，库存，交付和生命周期等信息

[>>TE Connectivity\(泰科\)](#)