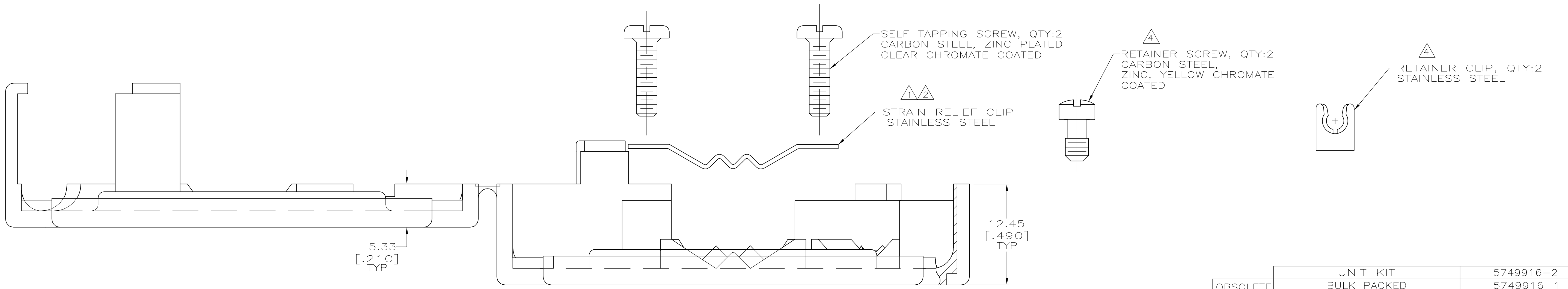
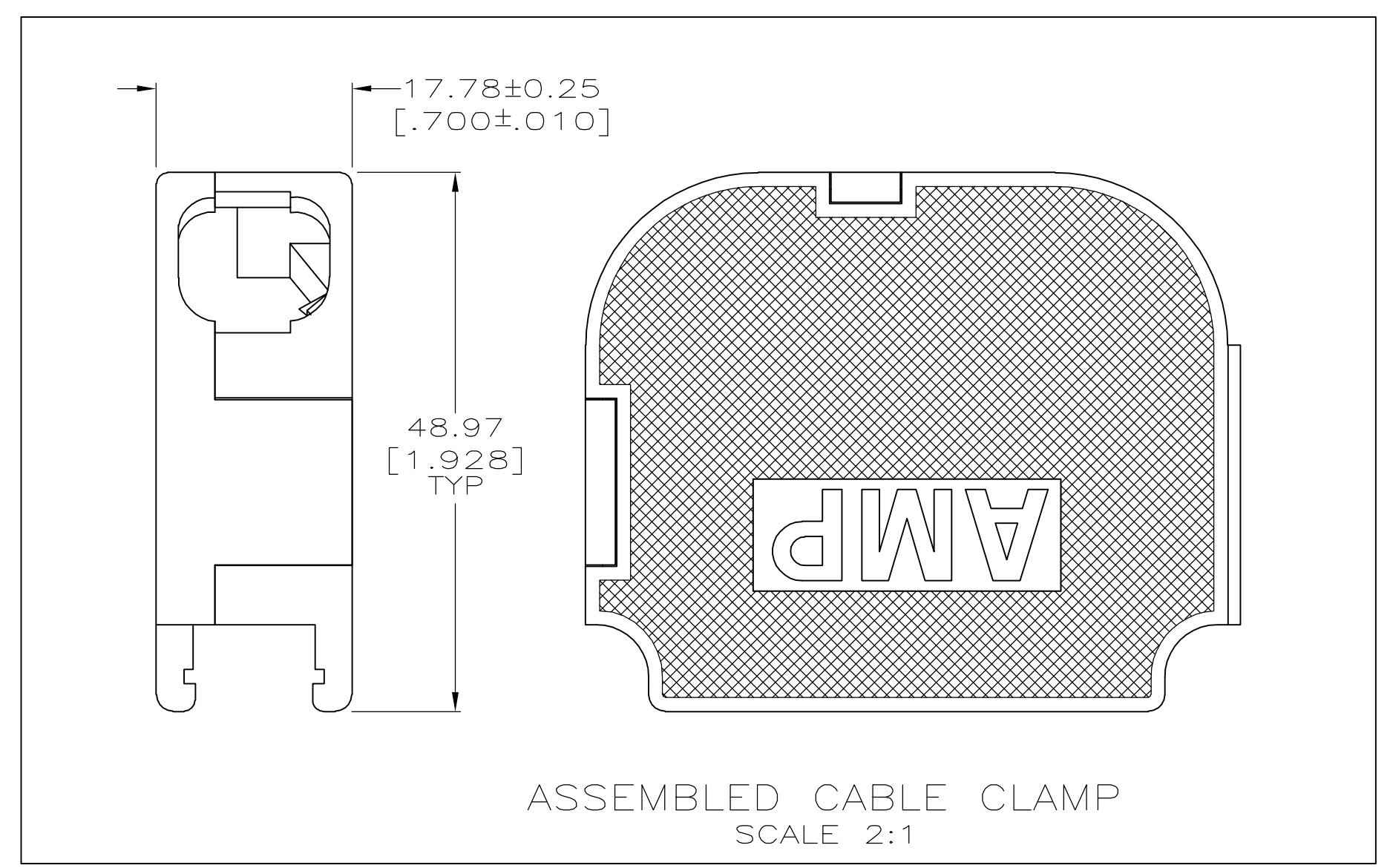
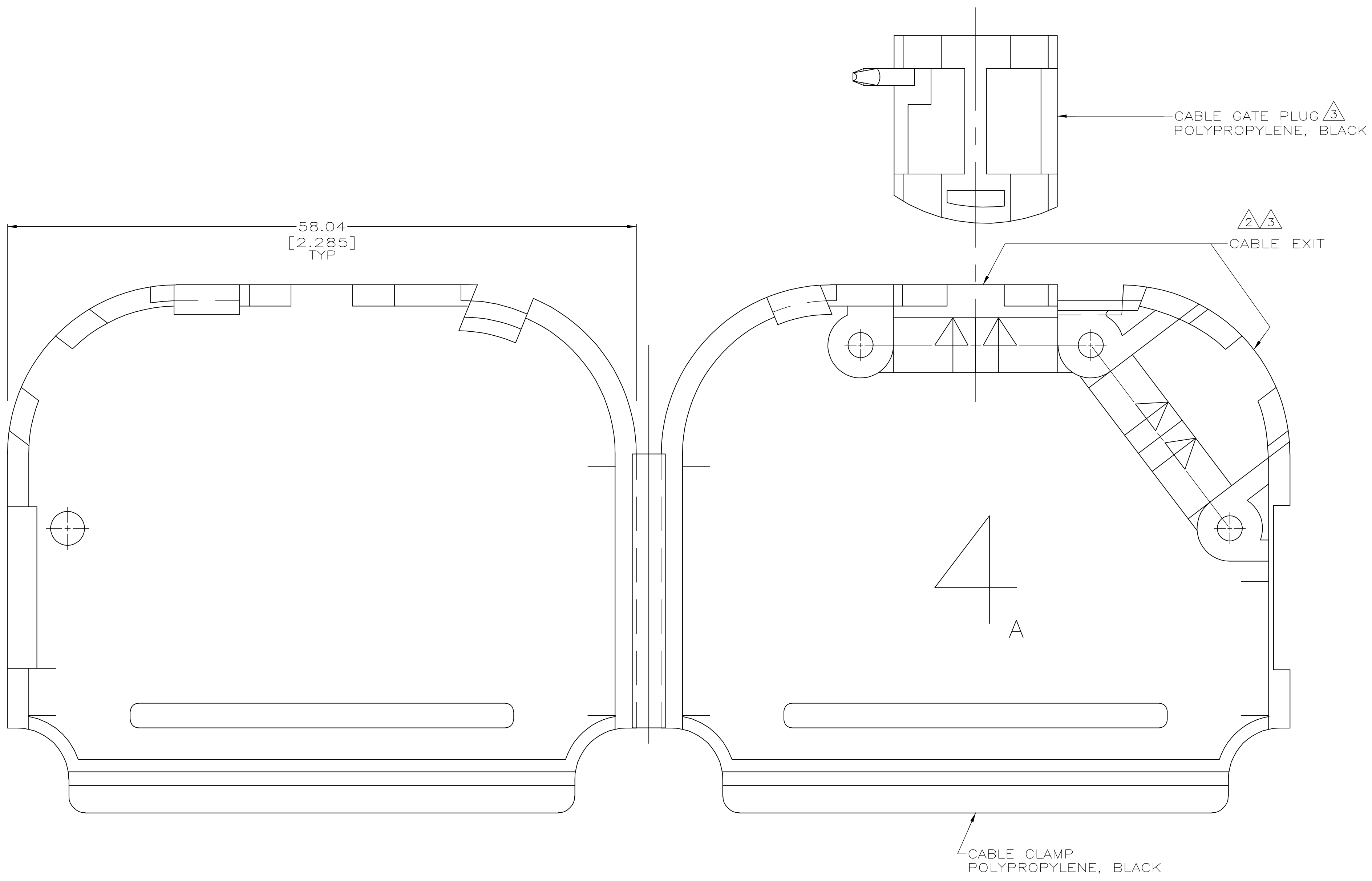


LOC	DIST	REVISIONS			
P	LTR	DESCRIPTION	DATE	OWN	APVD
A		REVISED PER ECN 0513-0326-05	24JUL06	JDP	CWR



- ⚠ CLIP CAN BE INSTALLED AS SHOWN FOR SMALL DIAMETER CABLE, OR REVERSED FOR LARGE DIAMETER CABLE.
- ⚠ CLIP MAY BE USED AT EITHER CABLE EXIT.
- ⚠ CABLE GATE PLUG TO BE PLACED IN CABLE EXIT NOT BEING USED.
- ⚠ RETAINER SCREWS AND RETAINER CLIPS PROVIDED WITH THIS KIT FOR USE WITH METAL SHELL CONNECTORS.
- 5. CABLE DIAMETER RANGE = 6.35-13.97 [.250-.550].

OBSOLETE	UNIT KIT	5749916-2
	BULK PACKED	5749916-1
	PACKAGING	PART NUMBER
THIS DRAWING IS A CONTROLLED DOCUMENT.		DWN: R. RICHARDSON 18SEP05 CHK: C. ROHDE 18SEP05 APVD: M. WALMSLEY 18SEP05 Tyco Electronics Corporation Harrisburg, PA 17105-3608
DIMENSIONS: INCHES TOLERANCES UNLESS OTHERWISE SPECIFIED: 0 PLC ± - 1 PLC ± - 2 PLC ± 0.13 [.005] 3 PLC ± - 4 PLC ± - ANGLES ± -	NAME: CABLE CLAMP KIT, UNASSEMBLED, SIZE 4, QUIK-SNAP, 120° & 180° CABLE EXIT, AMPLIMITE APPLICATION SPEC: - PRODUCT SPEC: -	SIZE: A1 CAGE CODE: 00779 DRAWING NO: 5749916 RESTRICTED TO: -
MATERIAL: SEE CALLOUTS	FINISH: SEE CALLOUTS	WEIGHT: - CUSTOMER DRAWING: - SCALE: 4:1 SHEET: 1 OF 1 REV: A

单击下面可查看定价，库存，交付和生命周期等信息

[>>TE Connectivity\(泰科\)](#)