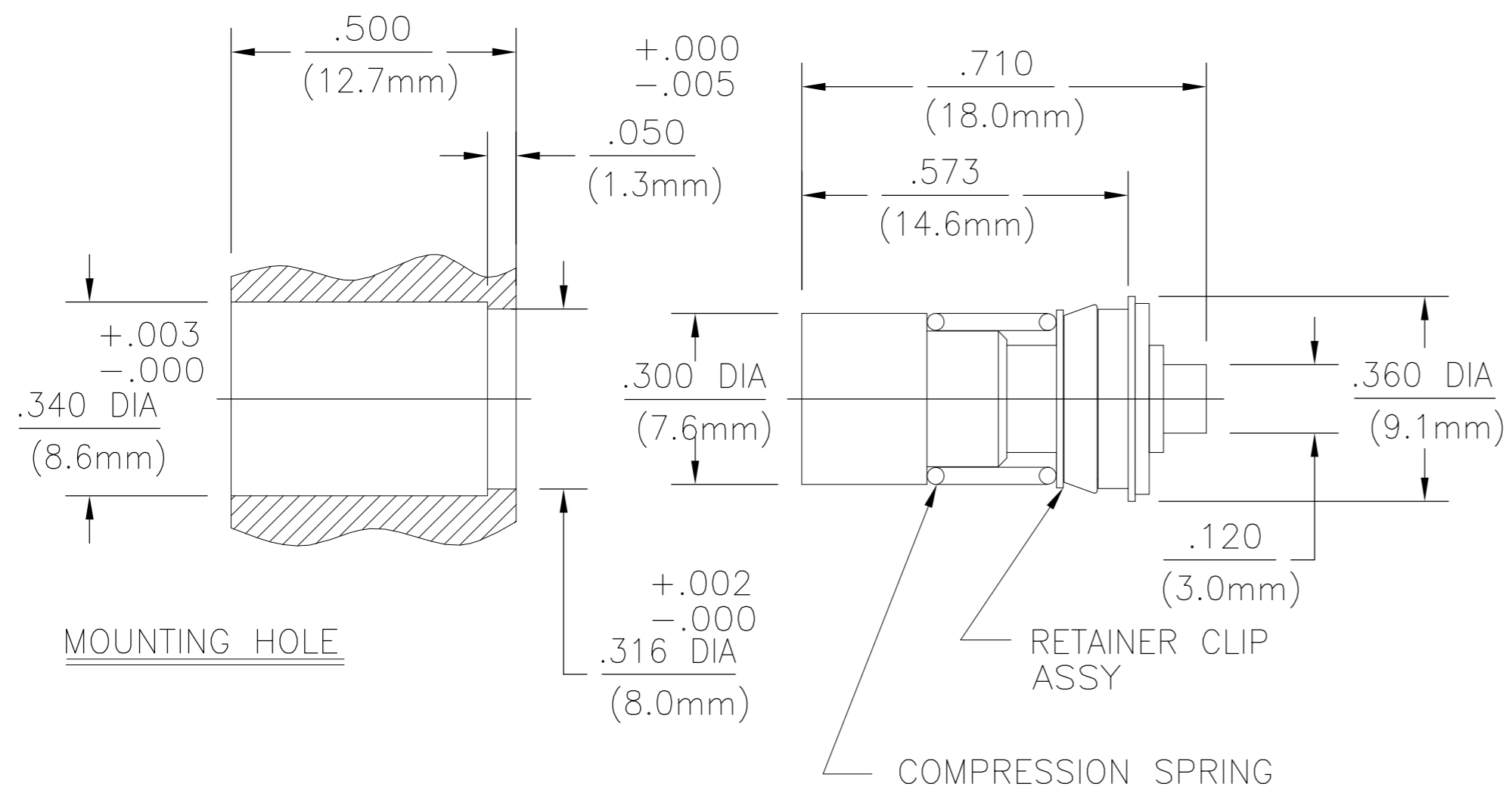


THIS DRAWING IS UNPUBLISHED. RELEASED FOR PUBLICATION
 © COPYRIGHT BY TYCO ELECTRONICS CORPORATION. ALL RIGHTS RESERVED.

DESIGNED FOR USE WITH .085 SEMI-RIGID CABLE	
CABLE ENTRY DIAMETER MINIMUM	
HOUSING	.089
CONTACT	.0215

REVISIONS				
P	LTR	DESCRIPTION	DATE	APVD
A1		REV PER ECO 07-011043	11MAY2007	DW FB

△ BUSHING AND RETAINING CLIP
OMMITED FROM -2 PART NUMBER



△ 1	1059467-2
	1059467-1
	PART NUMBER

ELECTRICAL	MECHANICAL	ENVIRONMENTAL
Nominal Impedance (Ohms) <u>50</u>	Interface Dimensions <u>DESC SPEC 85071</u>	TEMPERATURE RATING <u>-65° TO +125°C</u>
Frequency Range (GHz) DC to <u>22</u>	Mating Characteristics:	Vibration MIL-STD-202, Method 204, Condition D
Volt Rating (VRMS MAX) @ Sea Level <u>335</u>	Insertion (MAX Lbs) <u>3</u>	Shock MIL-STD-202, Method 213, Condition I
VSWR <u>1.05+.005f(GHz)</u> DC to 18 GHz	Withdrawal (MIN Oz) <u>1</u>	Thermal Shock MIL-STD-202, Method 107, Condition B
<u>1.05+.009f(GHz)</u> 18 to 22 GHz	Force to Engage (In-Lbs MAX) <u>3</u>	Moisture Resistance MIL-STD-202, Method 106
Insertion Loss (dB MAX) <u>.03x f(GHz)</u>	& Disengage (In-Lbs MAX) <u>1.5</u>	Corrosion - MIL-STD-202, Method 101, Condition B
RF Leakage (dB MIN) (Interface Only, Fully Mated) <u>-(90-f(GHz))</u>	Center Contact Captivation	
Corona, 70,000 Ft (VRMS MIN) <u>335</u>	Axial (Lbs) <u>6</u>	
Dielectric Withstanding Voltage (VRMS MIN) @ Sea Level <u>1000</u>	Cable Retention	
Contact Resistance (Milliohms MAX)	Axial Force (Lbs MIN) <u>30</u>	
Center Contact <u>2.0</u>	Torque (In-Oz MIN) <u>16</u>	
Outer Contact <u>2.0</u>	Weight (Grams) _____	
Cable to Housing <u>0.5</u>		
RF High Potential @ Sea Level (VRMS MIN @ 5 MHz) <u>670</u>		
I.R.(Megohms MIN) <u>5000</u>		

COMPONENT	MATERIAL	FINISH
HOUSING BUSHING	STAINLESS STEEL PER ASTM-A484 AND ASTM-A582, TYPE 303	GOLD PLATE PER MIL-G-45204 OVER NICKEL PLATE PER QQ-N-290
DIELECTRIC	TFE FLUOROCARBON PER ASTM-D-1457	N/A
CENTER CONTACT	BERYLLIUM COPPER PER ASTM B 196, ALLOY C17300, CONDITION H	GOLD PLATE PER MIL-G-45204 OVER COPPER PLATE PER MIL-C-14550
CONTACT SLEEVE	BERYLLIUM COPPER PER ASTM B 196, ALLOY C17300, CONDITION H	GOLD PLATE PER MIL-G-45204 OVER NICKEL PLATE PER QQ-N-290
RETAINING CLIP CONTACT RING SHIM	BERYLLIUM COPPER PER ASTM B 194, ALLOY C17200, CONDITION H	GOLD PLATE PER MIL-G-45204 OVER COPPER PLATE PER MIL-C-14550
SPRING	STAINLESS STEEL	PASSIVATE PER QQ-P-35
RETAINING RING	BERYLLIUM COPPER PER QQ-C-533	GOLD PLATE PER MIL-G-45204 OVER NICKEL PLATE PER QQ-N-290
BUSHING	STAINLESS STEEL PER ASTM-A484 AND ASTM-A582, TYPE 303	PASSIVATE PER QQ-P-35

THIS DRAWING IS A CONTROLLED DOCUMENT.		DWN JP 11MAY2007	tyco Tyco Electronics Corporation	
DIMENSIONS: INCHES		CHK R.GIERES	Harrisburg, PA 17105-3608	
TOLERANCES UNLESS OTHERWISE SPECIFIED:		APVD T.S.	NAME	
0 PLC ± -		PRODUCT SPEC	OSP FLOATING PANEL FEED THRU	
1 PLC ± -		APPLICATION SPEC	REAR MOUNT CABLE JACK	
2 PLC ± -		WEIGHT -	SOLDER ATTACHMENT (4510-7985-00)	
3 PLC ± .005		SIZE A2	CAGE CODE 00779	DRAWING NO C=1059467
4 PLC ± -		SCALE 1:1	SHEET 1 of 1	REV A1
ANGLES ± 1°		CUSTOMER DRAWING		
FINISH -				

单击下面可查看定价，库存，交付和生命周期等信息

[>>TE Connectivity\(泰科\)](#)