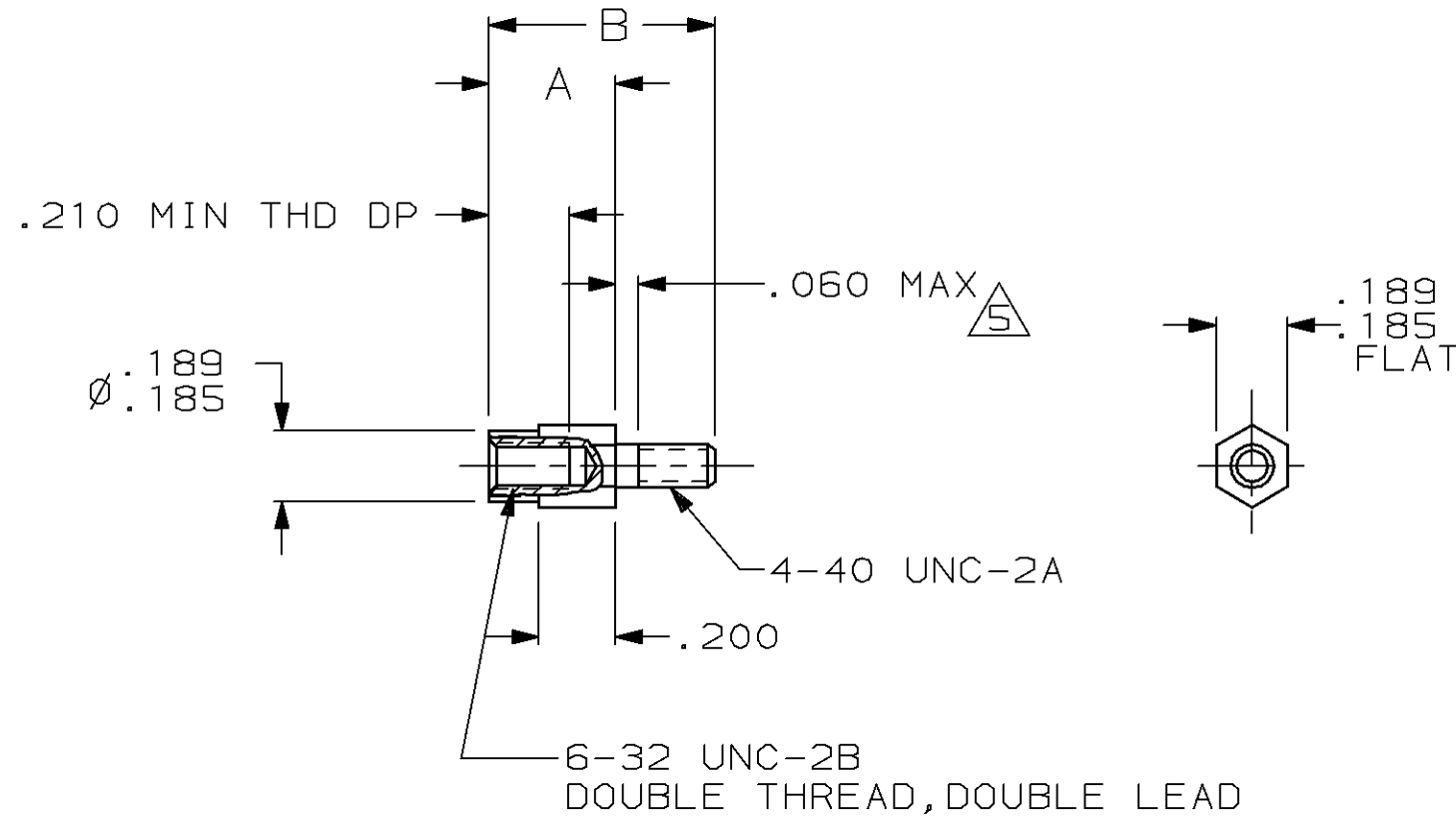


THIS DRAWING IS UNPUBLISHED. RELEASED FOR PUBLICATION, 19 .  
 © COPYRIGHT 19 BY AMP INCORPORATED. ALL INTERNATIONAL RIGHTS RESERVED.

LOC	DIST	P	F	REVISIONS				
				ZONE	LTR	DESCRIPTION	DATE	APPD
AR	39				0	RELEASED TO CUST AR2289	1-89	-
					A	SUPSD -2 PER EC 0020-542-94	12/21/94	GM



- 1 STAINLESS STEEL
- 2 CARBON STEEL
- 3 PASSIVATED
- 4 ZINC PLATED PER QQ-Z-325, CLASS 3, TYPE II
- 5 NO THREAD REQUIRED THIS LENGTH.

	B	A	FINISH	MATERIAL	PART NO.
OBSOLETE	.680	.420	4	2	86937-6
	.589	.330	3	1	86937-3
SUPSD BY 86937-3	.589	.330	4	2	86937-2

DO NOT SCALE PRINT. UNLESS SPECIFIED DIMENSIONS IN INCHES. TOLERANCES ON: 2 PLC DEC ± - 3 PLC DEC ± .005 ANGLES ± -		DR 1-26-89 C. OBERMAN	<b>AMP</b> AMP INCORPORATED Harrisburg, Pa. 17105	
MATERIAL	SEE TABLE	CHK 2-15-89 G.D. MILLER		
FINISH	SEE TABLE	APPD 2-15-89 G.D. MILLER	NAME TIP, JACKSCREW, FEMALE, FIXED	
		APPD 2-15-89 W. PARKER	SIZE <b>B</b>	FSCM NO 00779
		PRODUCT SPEC -	DRAWING NO 86937	
		APPLICATION SPEC -	SCALE 2:1	SHEET 1 OF 1
		WEIGHT -		

单击下面可查看定价，库存，交付和生命周期等信息

[>>TE Connectivity\(泰科\)](#)