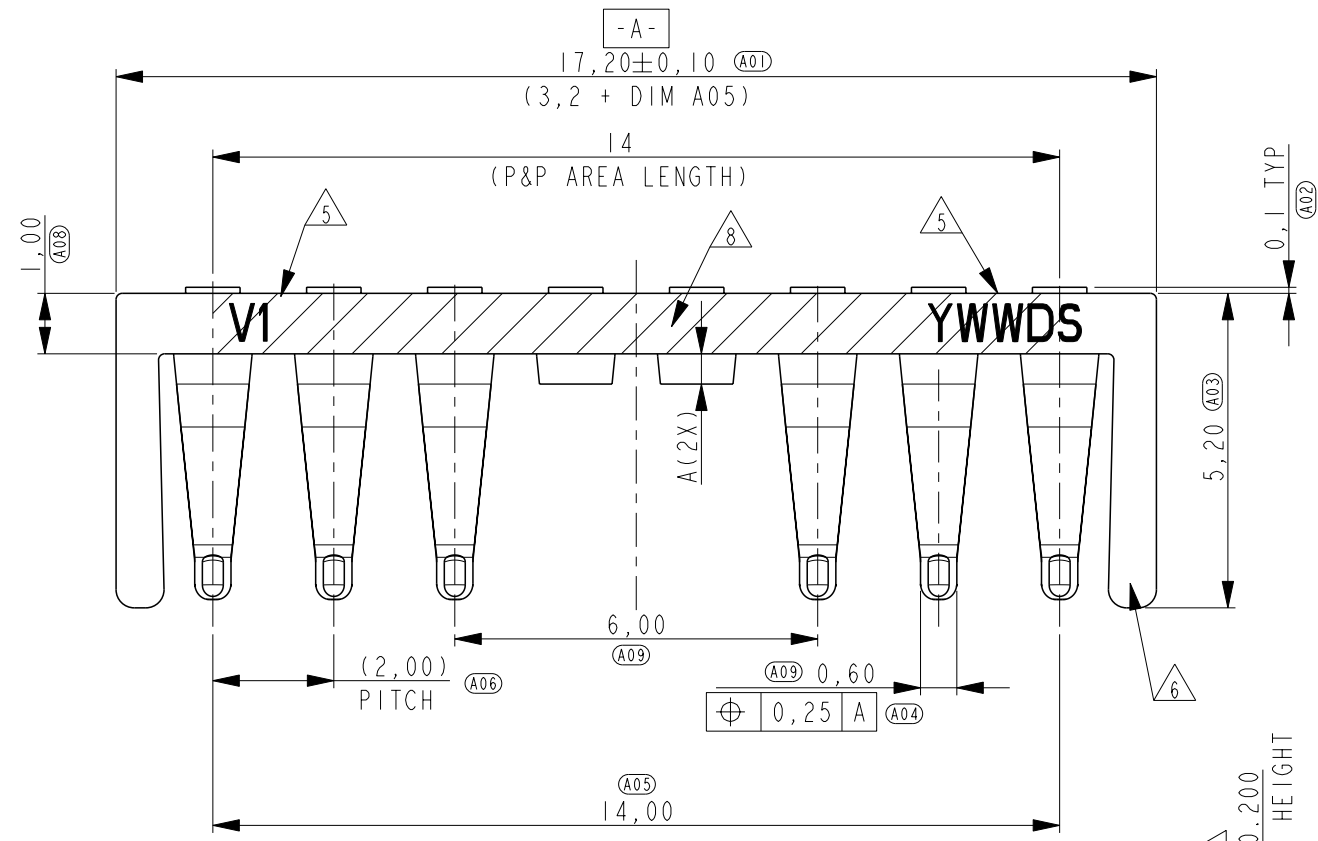


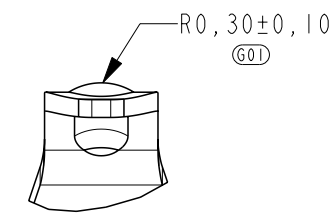
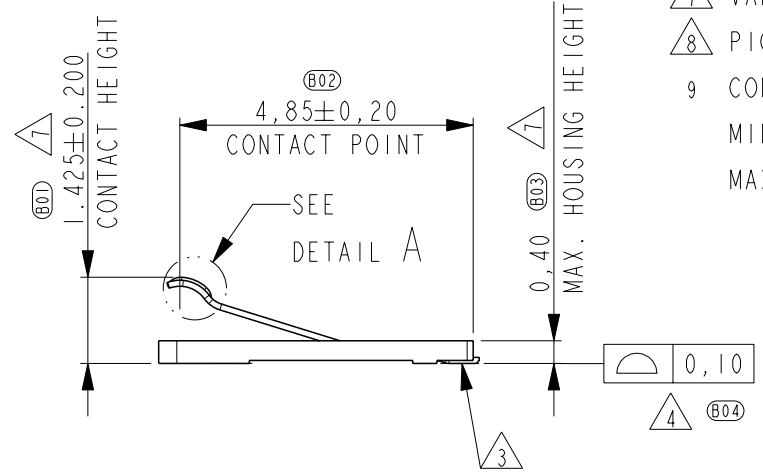
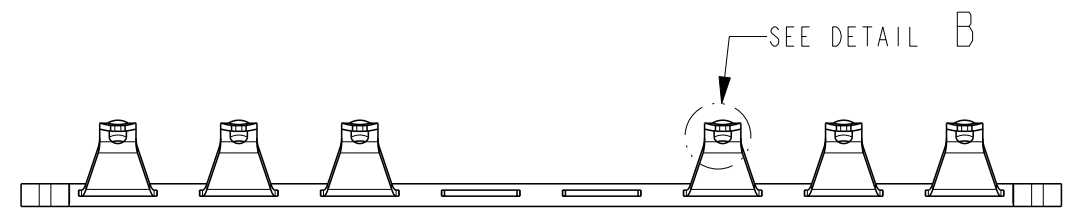
THIS DRAWING IS UNPUBLISHED. RELEASED FOR PUBLICATION

© COPYRIGHT - BY - ALL RIGHTS RESERVED.

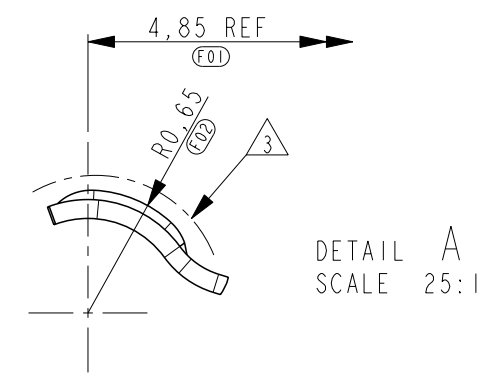
LOC	DIST	REVISIONS			
P	LTR	DESCRIPTION	DATE	DWN	APVD
	A	RELEASE	30JULY2014	E.L	WK.H
	A1	ECR-14-016631	18NOV2014	T.Q	WK.H
	A2	ECR-16-004791	01APR2016	A.W	H.L



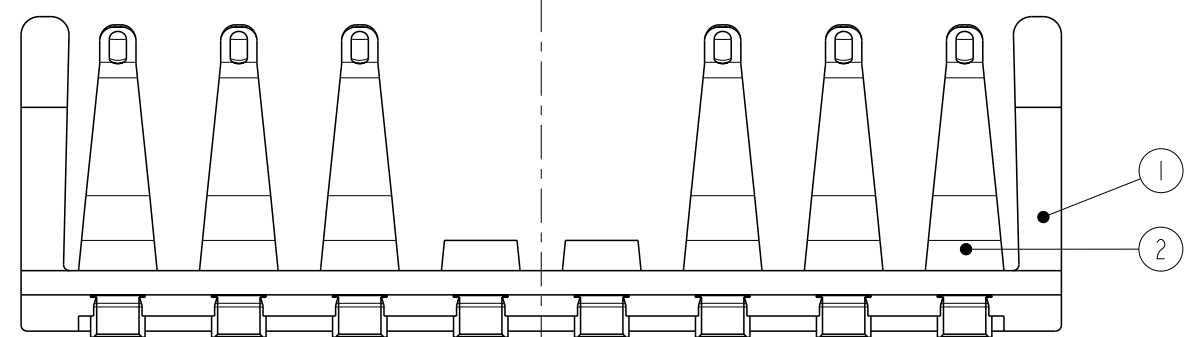
- NOTES:
- P/N: A=0.50MM FOR 2287112-2; A=0 FOR 2287112-3
 - DRAWING REPRESENTS PART VERSION V5.
 - PLATING: - 1,27µm MIN. NICKEL ALL OVER,
- 0,3µm MIN GOLD ON CONTACT POINTS (INDICATED BY DASHED LINE),
- GOLD FLASH ON SOLDER TAILS (INDICATED BY DASHED LINE).
 - COPLANARITY OF SOLDER SURFACES 0,10 MAX.
 - MARKING: VERSION,
PRODUCTION DATE ('YWWDS' YEAR, WEEK, DAY + DAY/NIGHT SHIFT)
 - MARKING: CAVITY ID, RECESSED.
 - VARIABLE VALUE, SEE TABLE SHEET 3.
 - PICK & PLACE SURFACE DEFINED BY HATCHED AREA.
 - CONTACT WORKING HEIGHT 0,70mm±0,30mm,
MIN FORCE 0,20N AT 1,00mm,
MAX FORCE 0,80N AT 0,40mm MEASURED FROM BOTTOM PWB.



DETAIL B SCALE 25:1



DETAIL A SCALE 25:1



ITEM NO.	DESCRIPTION	MATERIAL	FINISH
2	CONTACT	STAINLESS STEEL	GOLD PLATED (3)
1	HOUSING	PLASTIC, GF	-

THIS DRAWING IS A CONTROLLED DOCUMENT.

DIMENSIONS:	TOLERANCES UNLESS OTHERWISE SPECIFIED:
mm	
	0 PLC ±0,30
	1 PLC ±0,20
	2 PLC ±0,15
	3 PLC ±
	4 PLC ±
	ANGLES ±
MATERIAL -	FINISH -

DWN	A.W	01-APR-16	 TE Connectivity	NAME Board to Board 6 pin Connector
CHK	H.L	01-APR-16		
APVD	H.L	01-APR-16		
PRODUCT SPEC	108-19386			
APPLICATION SPEC	-		SIZE	A3
WEIGHT	△-		CAGE CODE	00779
CUSTOMER DRAWING			DRAWING NO	C-2287112
			RESTRICTED TO	-
			SCALE	8:1
			SHEET	1 OF 3
			REV	A2

THIS DRAWING IS UNPUBLISHED.

RELEASED FOR PUBLICATION

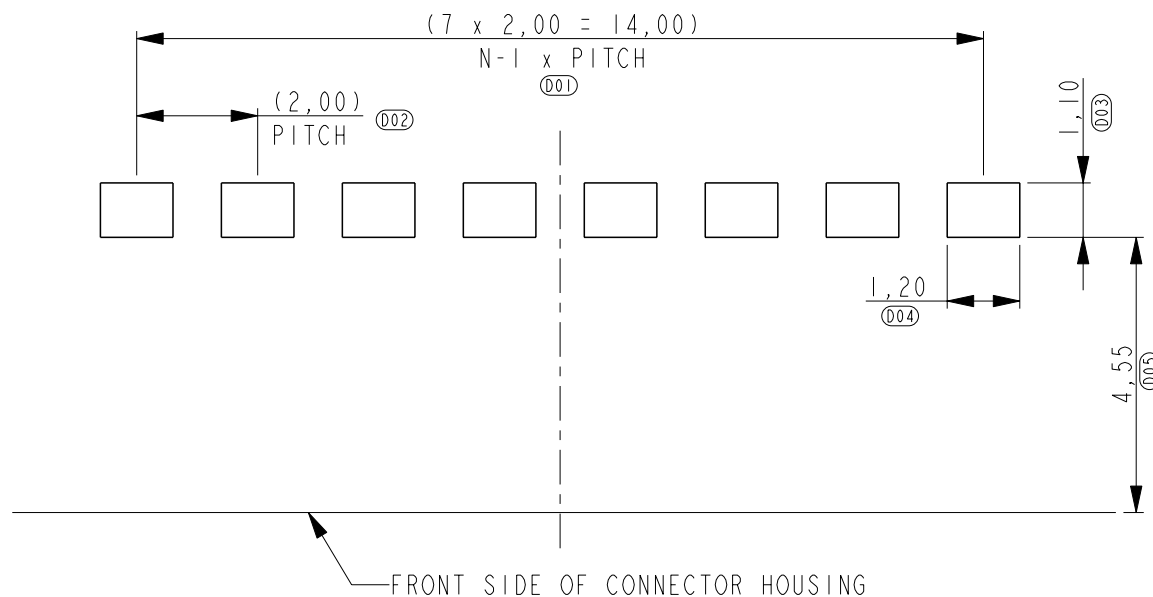
© COPYRIGHT - BY -

ALL RIGHTS RESERVED.

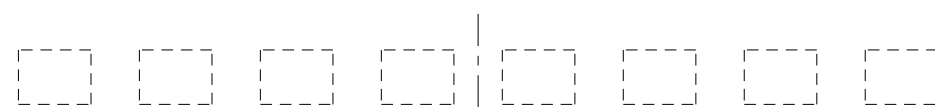
LOC DIST

REVISIONS

P	LTR	DESCRIPTION	DATE	DWN	APVD
-	-	SEE SHEET 1	-	-	-



RECOMMENDED PWB LAY-OUT
PWB SOLDER SIDE
(EXAMPLE FOR 2287112-2/3)



RECOMMENDED PWB LAY-OUT
PWB CONTACT SIDE
(EXAMPLE FOR 2287112-2/3)

THIS DRAWING IS A CONTROLLED DOCUMENT.

DWN A.W 01-APR-16

CHK H.L 01-APR-16

APVD H.L 01-APR-16

PRODUCT SPEC 108-19386

APPLICATION SPEC -

WEIGHT -

CUSTOMER DRAWING

TE Connectivity

NAME Board to Board 6 pin Connector

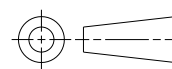
SIZE CAGE CODE DRAWING NO RESTRICTED TO

A3 00779 C-2287112

SCALE 8:1 SHEET 2 OF 3 REV A2

DIMENSIONS: mm

TOLERANCES UNLESS OTHERWISE SPECIFIED:



- 0 PLC ±0,30
- 1 PLC ±0,20
- 2 PLC ±0,15
- 3 PLC ±
- 4 PLC ±
- ANGLES ±

MATERIAL material_2

FINISH finish_spec_2

THIS DRAWING IS UNPUBLISHED.

RELEASED FOR PUBLICATION

© COPYRIGHT - BY -

ALL RIGHTS RESERVED.

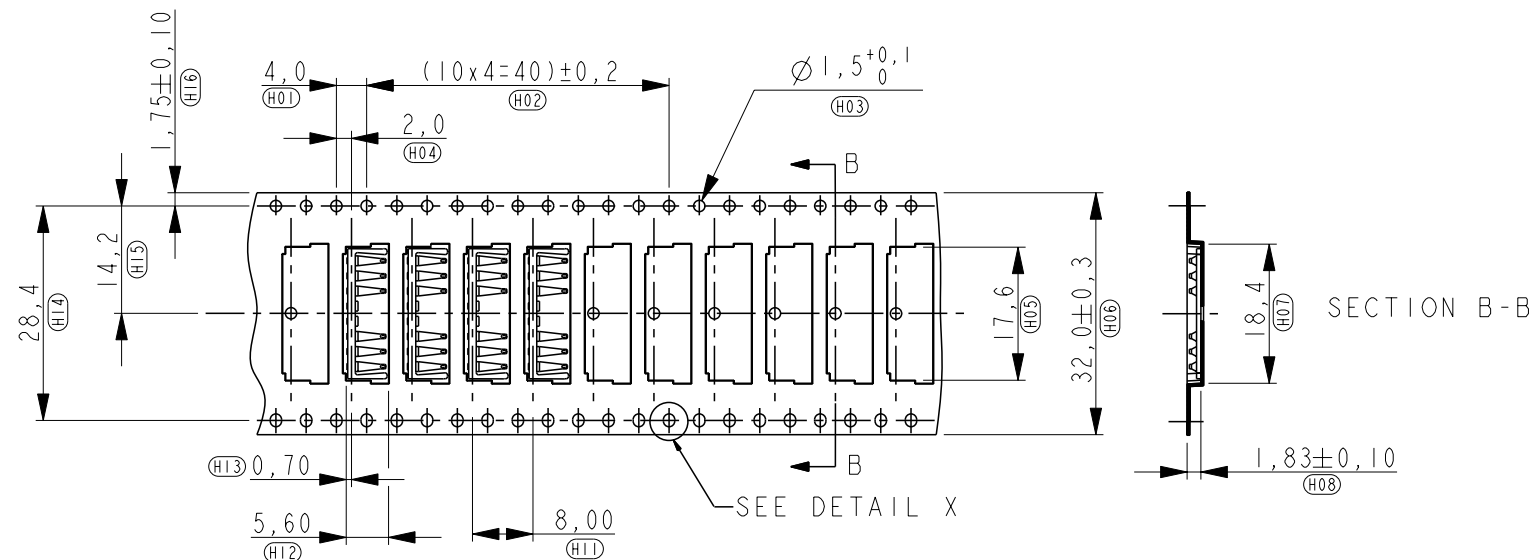
LOC DIST

REVISIONS

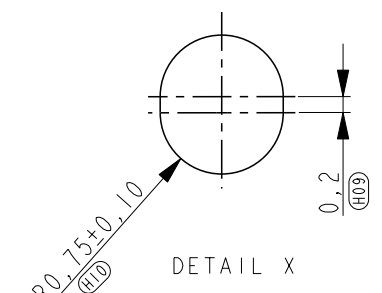
P	LTR	DESCRIPTION	DATE	DWN	APVD
-	-	SEE SHEET 1	-	-	-


2,00mm PITCH		CONTACT POSITIONS
		6
- PWB STACKING HEIGHT	- 0,70±0,30	2287112-2 2287112-3
- CONTACT HEIGHT (DIM B01)	- 1,425	
- HOUSING HEIGHT (DIM B03)	- 0,40 max.	
- WEIGHT	- 0,045 gr.	
- QTY PER REEL	- 4000 PCS	

REEL DIMENSIONS: 330x100x32,4



USER DIRECTION OF UNREELING



THIS DRAWING IS A CONTROLLED DOCUMENT.		DWN A.W	01-APR-16	 TE Connectivity													
DIMENSIONS: mm		CHK H.L	01-APR-16														
TOLERANCES UNLESS OTHERWISE SPECIFIED:		APVD H.L	01-APR-16	NAME Board to Board 6 pin Connector													
<table border="0"> <tr><td>0 PLC</td><td>±0,30</td></tr> <tr><td>1 PLC</td><td>±0,20</td></tr> <tr><td>2 PLC</td><td>±0,15</td></tr> <tr><td>3 PLC</td><td>±</td></tr> <tr><td>4 PLC</td><td>±</td></tr> <tr><td>ANGLES</td><td>±</td></tr> </table>		0 PLC	±0,30	1 PLC	±0,20	2 PLC	±0,15	3 PLC	±	4 PLC	±	ANGLES	±	PRODUCT SPEC 108-19386		SIZE A3	
0 PLC	±0,30																
1 PLC	±0,20																
2 PLC	±0,15																
3 PLC	±																
4 PLC	±																
ANGLES	±																
MATERIAL material_2		APPLICATION SPEC -		CAGE CODE 00779	DRAWING NO C-2287112												
FINISH finish_spec_2		WEIGHT -		RESTRICTED TO -	SCALE 8:1												
CUSTOMER DRAWING				SHEET 3 OF 3	REV A2												

单击下面可查看定价，库存，交付和生命周期等信息

[>>TE Connectivity\(泰科\)](#)