

THIS DRAWING IS UNPUBLISHED.

RELEASED FOR PUBLICATION

-. - .

© COPYRIGHT - By -

ALL RIGHTS RESERVED.

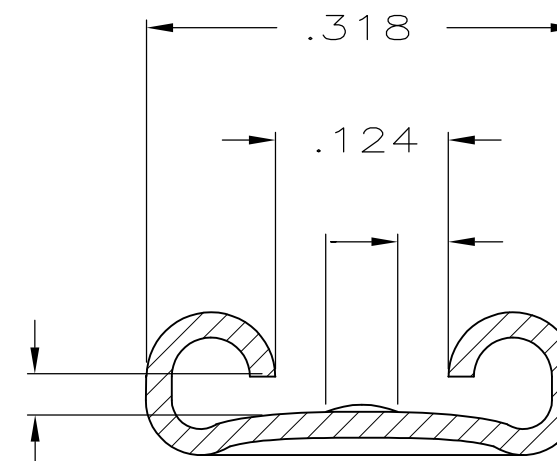
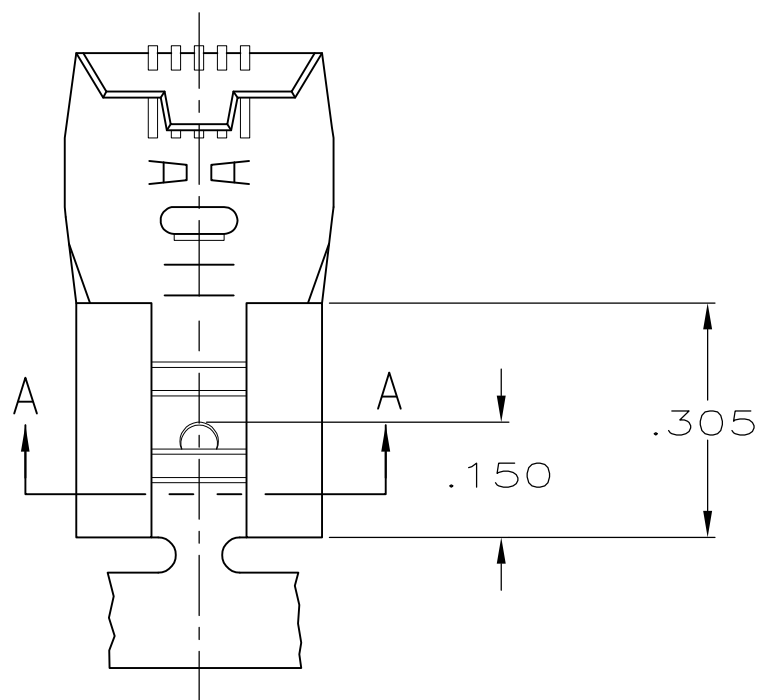
LOC
AF

DIST
50

REVISIONS

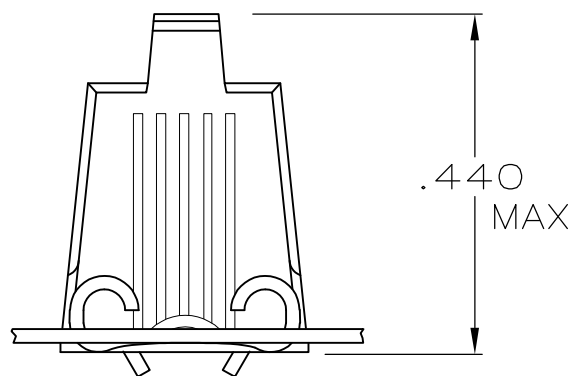
P	LTR	DESCRIPTION	DATE	DWN	APVD
	J	REVISED PER ECR-12-013459	28NOV2012	KH	PD

1 CONTINUOUS STRIP ON REELS.


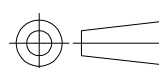


.055
.050
DIA DIMPLE

FITS .250 SERIES
FASTON TAB
SECTION A-A



12-10	.032 ±.001	TIN	BRASS	62022-2
12-10	.032 ±.001	SILVER	.018 PHOS. BRONZE	62022-1
WIRE SIZE	TAB THK	FINISH	MATERIAL	PART NO

THIS DRAWING IS A CONTROLLED DOCUMENT.		DWN JR RUTH 2/3/86	 TE Connectivity					
DIMENSIONS: INCHES		CHK M FEHER 2/6/86				NAME		
		APVD C MEYERS 2/7/86				.250 SERIES FLAG FASTON RECEPTACLE		
TOLERANCES UNLESS OTHERWISE SPECIFIED:		PRODUCT SPEC				RESTRICTED TO		
MATERIAL SEE TABLE		FINISH SEE TABLE	APPLICATION SPEC	SIZE A3	CAGE CODE 00779	DRAWING NO C-62022		
CUSTOMER DRAWING			WEIGHT -	SCALE NTS	SHEET 1 OF 1	REV J		

单击下面可查看定价，库存，交付和生命周期等信息

[>>TE Connectivity\(泰科\)](#)