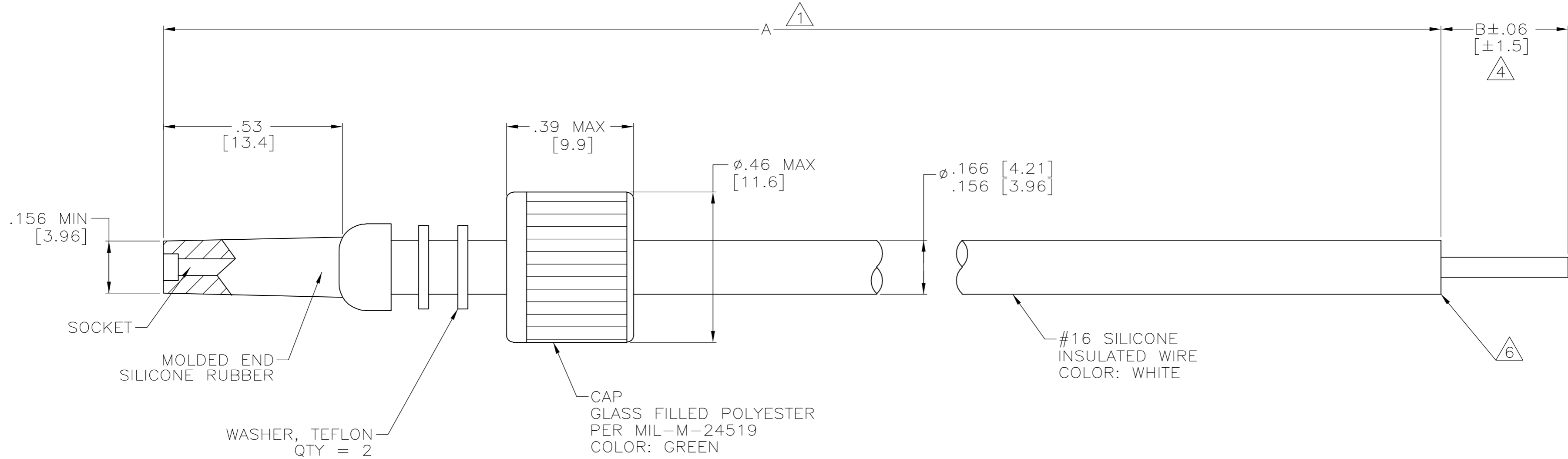


THIS DRAWING IS UNPUBLISHED. RELEASED FOR PUBLICATION - N/A .
 © COPYRIGHT N/A BY TYCO ELECTRONICS CORPORATION. ALL RIGHTS RESERVED.

LOC	DIST	REVISIONS					
DF	SO	P	LTR	DESCRIPTION	DATE	DWN	APVD
		J		REV PER ECO-05-002828	08-05	AA	DE

PART NO.	A ¹	B	CUSTOMER P/N INK STAMPED	REMARKS
867961-1	8.00 [203.2]	.25 [6.3]	301-0002-170	⁴
867961-2	6.00 [152.4]	.25 [6.3]	301-0002-200	⁴
867961-3	14.00 [355.6]	.38 [9.7]	301-0002-240	⁴
867961-4	5.00 [127.0]	.25 [6.3]	301-0002-300	⁴ OBSOLETE
5-867961-2	6.00 [152.4]	.25 [6.3]	-	⁶

- ¹ TOLERANCE OF LEAD LENGTH:
UP TO 24 INCHES [609.6] = ±.12 [±3.0]
24 INCHES [609.6] & UP = ±1%
- 2. MARKED PER MIL-STD-130.
- 3. TO MATE WITH AMP LGH-1/2
RECEPTACLE WITH .53 [13.4] BARREL DEPTH.
- ⁴ WHERE APPLICABLE "B" STRIP LENGTH IS SOLDER DIPPED.
- 5. OPERATING VOLTAGE: 10 KVDC AT 0 TO 70,000 FEET,
-55°C TO 125°C.
- ⁶ INSULATION CUT, BUT NOT REMOVED.



THIS DRAWING IS A CONTROLLED DOCUMENT.		DWN C.C.THOMAS 13-DEC-89	tyco Electronics	Tyco Electronics Corporation Harrisburg, Pa 17105-3608	
DIMENSIONS: INCHES [mm]		CHK D.EABY 27-FEB-90		NAME LEAD ASSY SGL MOLDED END LGH-1/2L	
TOLERANCES UNLESS OTHERWISE SPECIFIED:		APVD D.EABY 27-FEB-90	PRODUCT SPEC		
0 PLC ± -		APPLICATION SPEC			
1 PLC ± -		WEIGHT			
2 PLC ± .02 [0.5]		SCALE 4:1 SHEET 1 OF 1 REV J			
3 PLC ± -		CUSTOMER DRAWING			
4 PLC ± -		SIZE A2 CAGE CODE 00779 C=867961			
ANGLES ± -		RESTRICTED TO			
FINISH -		-			

867961

A

单击下面可查看定价，库存，交付和生命周期等信息

[>>TE Connectivity\(泰科\)](#)