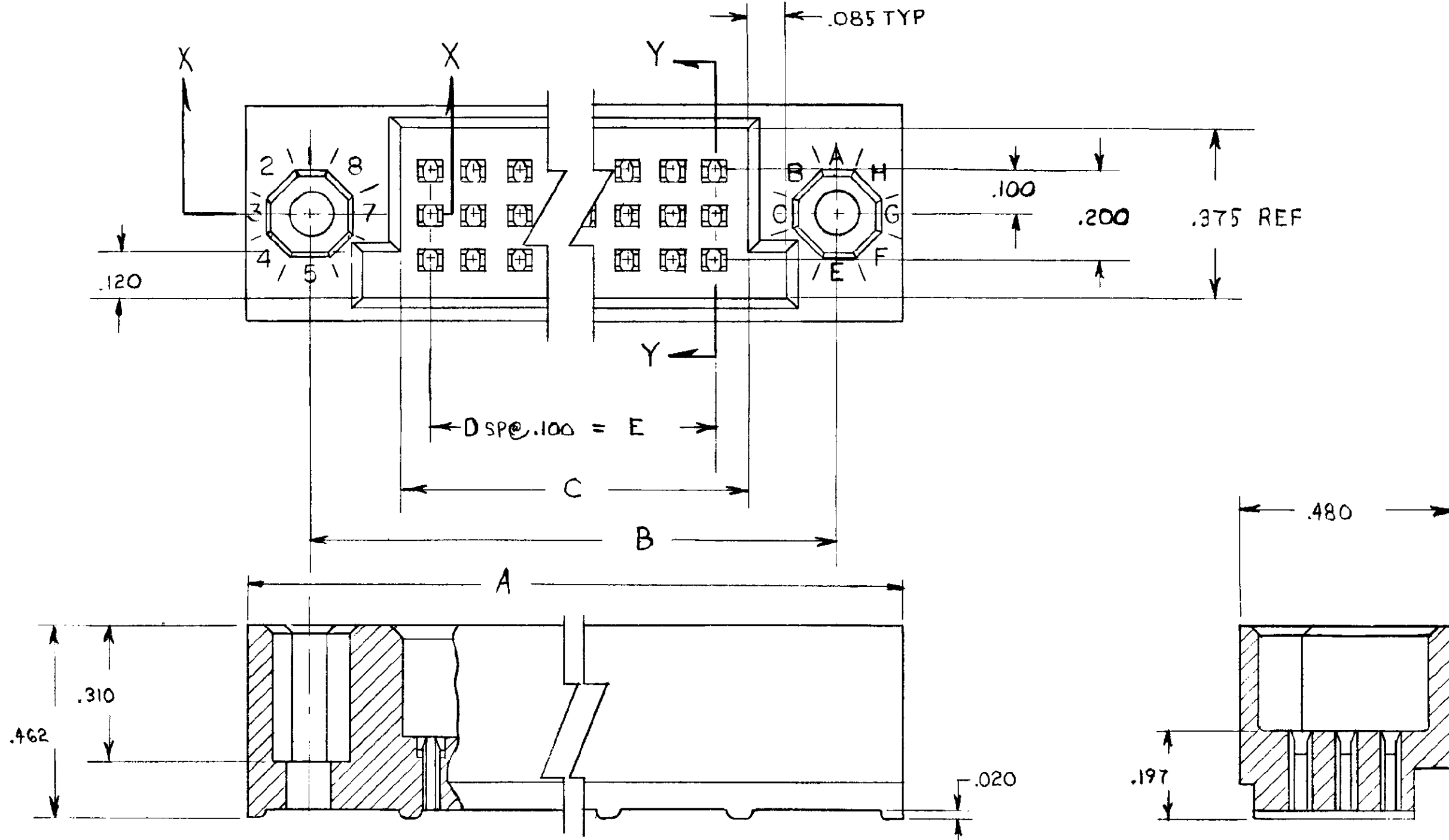


THIS DRAWING IS UNPUBLISHED. RELEASED FOR PUBLICATION . 19 .
 © COPYRIGHT 19 BY AMP INCORPORATED, HARRISBURG, PA. ALL INTERNATIONAL RIGHTS RESERVED. AMP PRODUCTS MAY BE COVERED BY U.S. AND FOREIGN PATENTS AND/OR PATENTS PENDING.

REVISIONS						
P	F	ZONE	LTR	DESCRIPTION	DATE	APPROVED
✓	L		0	REL.	R 2/8	
✓			01	OBS. 1--8 THRU 3--3 PER ECN AB0582	11-20-84	
✓			02	REV. PER AB-0731	4-01-85	



SECTION X-X

SECTION Y-Y
ROTATED 90° CLOCKWISE

⚠ 1-532402-8 THROUGH 3-532402-3 INCLUSIVE ARE OBSOLETE

UNLESS OTHERWISE SPECIFIED DIMENSIONS ARE IN INCHES. TOLERANCES ON: DECIMALS ±.005, ANGLES ±0°30'		CONTRACT NO DR. <i>AB</i> 10-11-84		PART NO	
MATERIAL THERMOPLASTIC COLOR: NATURAL		CHK <i>5-74</i>		AMP AMP INCORPORATED Harrisburg, Pa. 17105	
FINISH		APPD. <i>0-27-84</i>		NAME HOUSING, HDI, PIN, 3-ROW	
		APPD. <i>10-11-84</i>		DRAWING NO 532402	
		DSGN APPD		SIZE C	
		OTHER APPD		FSCM NO 00779	
				DRAWING NO 532402	
				SCALE 4:1	
				SHEET 1 OF 2	

THIS DRAWING IS UNPUBLISHED. RELEASED FOR PUBLICATION, 19
 © COPYRIGHT 19 BY AMP INCORPORATED, HARRISBURG, PA. ALL INTERNATIONAL RIGHTS RESERVED. AMP PRODUCTS MAY BE COVERED BY U.S. AND FOREIGN PATENTS AND/OR PATENTS PENDING.

P		F		Z		L		R		REVISIONS	
DATE	APPROVED	DESCRIPTION						DATE	APPROVED		
		SEE SHEET 1									

10.300	103	10.050	10.450	11.150	312	4-532402-1
5.700	57	5.850	6.250	6.550	174	4- -0
3.200	32	3.350	3.750	4.050	99	3- -9
11.600	116	11.750	12.150	12.450	351	3- -8
8.300	83	8.450	8.850	9.150	252	3- -7
9.600	96	9.750	10.150	10.450	291	3- -6
7.100	71	7.250	7.650	7.950	216	3- -5
6.600	66	6.750	7.150	7.450	201	3- -4
9.900	99	10.050	10.450	10.750	300	1- -7
9.400	94	9.550	9.950	10.250	285	1- -6
8.900	89	9.050	9.450	9.750	270	1- -5
8.400	84	8.550	8.950	9.250	255	1- -4
7.900	79	8.050	8.450	8.750	240	1- -3
7.400	74	7.550	7.950	8.250	225	1- -2
6.900	69	7.050	7.450	7.750	210	1- -1
6.400	64	6.550	6.950	7.250	195	1- -0
5.900	59	6.050	6.450	6.750	180	-9
5.400	54	5.550	5.950	6.250	165	-8
4.900	49	5.050	5.450	5.750	150	-7
4.400	44	4.550	4.950	5.250	135	-6
3.900	39	4.050	4.450	4.750	120	-5
3.400	34	3.550	3.950	4.250	105	-4
3.100	31	3.250	3.650	3.950	96	-3
2.900	29	3.050	3.450	3.750	90	-2
2.400	24	2.550	2.950	3.250	75	532402-1

532402

UNLESS OTHERWISE SPECIFIED DIMENSIONS ARE IN INCHES. TOLERANCES ON: DECIMALS ± .005 ANGLES ±	CONTRACT NO DR <i>R.R.</i> 10-22-84		AMP AMP INCORPORATED Harrisburg, Pa. 17105	
	MATERIAL			
FINISH	CHK <i>D.J. W. 10-31-84</i>		NAME HOUSING, HDI, PIN, 3-ROW	
	APPR <i>D.J. W. 10-31-84</i>			
OTHER APPD		SIZE C	FSCM NO 00779	DRAWING NO 532402
		SCALE	SHEET 2	

单击下面可查看定价，库存，交付和生命周期等信息

[>>TE Connectivity\(泰科\)](#)