

THIS DRAWING IS UNPUBLISHED.

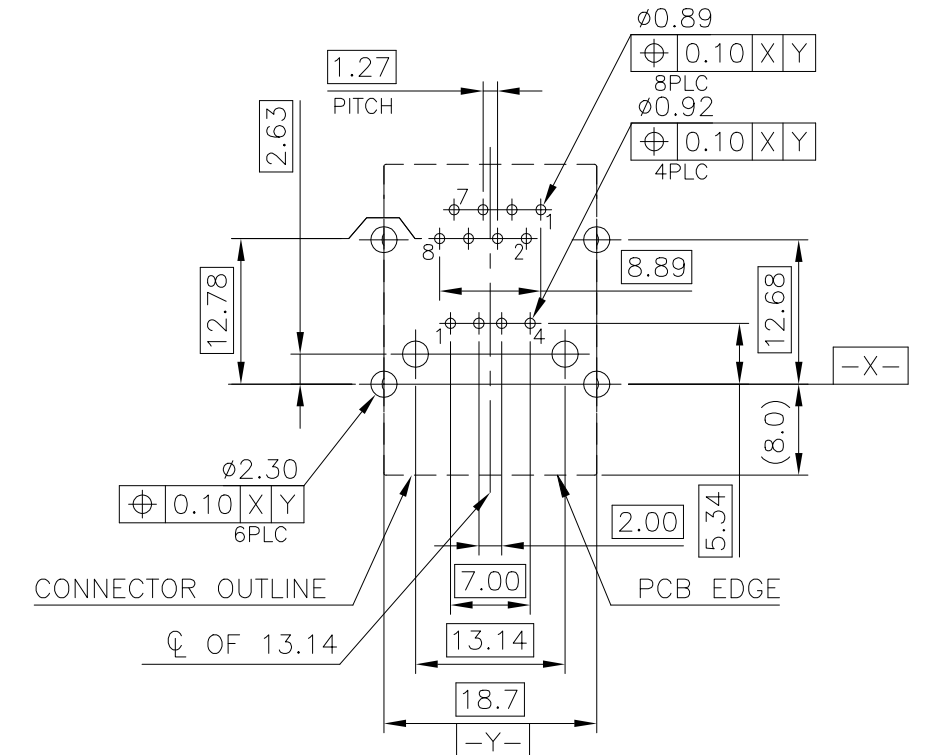
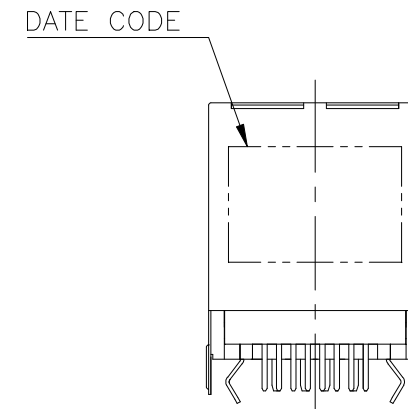
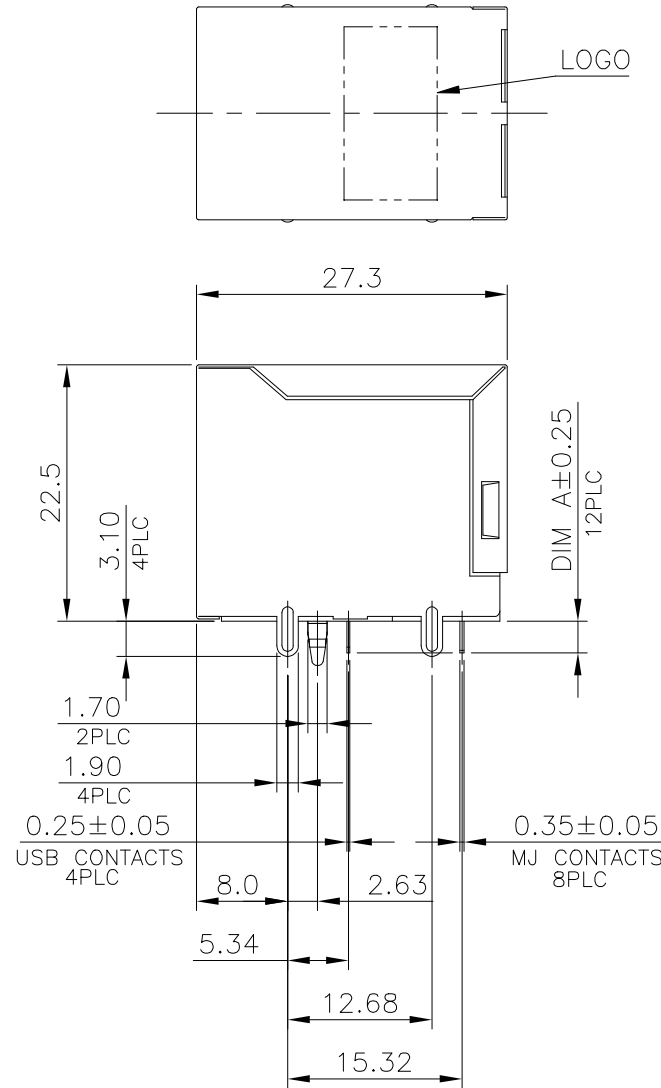
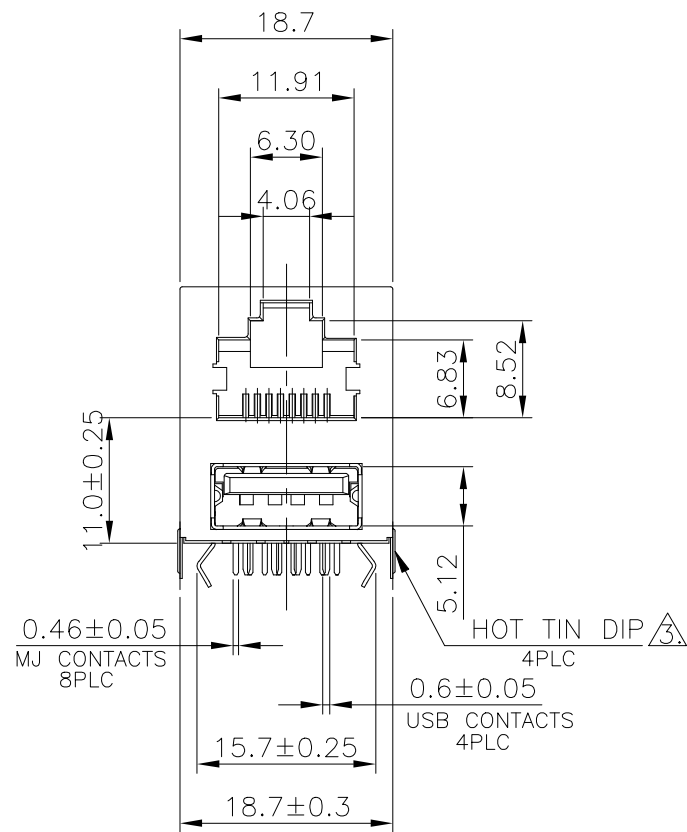
RELEASED FOR PUBLICATION

© COPYRIGHT - TE Connectivity Ltd.

ALL RIGHTS RESERVED.

REVISIONS

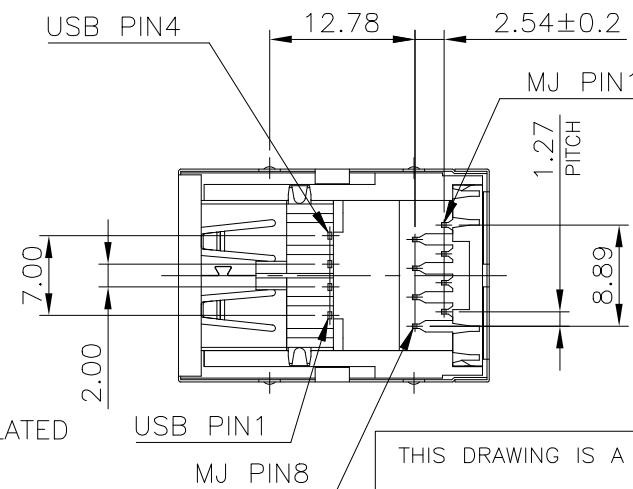
P	LTR	DESCRIPTION	DATE	DWN	APVD
E		REVISE PER ECO-18-001534	30JAN2018	LL	SH



RECOMMENDED PCB LAYOUT
 RECOMMENDED PCB THICKNESS: 1.6mm
 TOLERANCE: ±0.05 (TOP VIEW)

NOTE:

- MATERIAL:
 - MJ HOUSING: PBT, WITH 30% GF, UL94 V-0, COLOR: SEE TABLE.
 - MJ CONTACTS: PHOSPHOR BRONZE.
 - MJ SHIELD: BRASS.
 - USB HOUSING: PBT, UL94 V-0, COLOR: SEE TABLE.
 - USB CONTACTS: BRASS.
 - USB SHIELD: SPCC.
 - FINISH:
 - MJ CONTACTS: SELECTIVE GOLD PLATED (SEE TABLE) ON CONTACT AREA, GOLD FLASH ON SOLDER TAILS, 1.27um [50u"] MIN. NICKEL UNDERPLATED OVERALL.
 - MJ SHIELD: 0.508um [20u"] MIN. NICKEL PLATED.
 - USB CONTACT: SELECTIVE GOLD PLATED (SEE TABLE) ON CONTACT AREA, 2.54um [100u"] MIN. BRIGHT-TIN PLATED ON SOLDER TAILS, 1.27um [50u"] MIN. NICKEL UNDERPLATED OVERALL.
 - USB SHIELD: 2.032um [80u"] MIN. NICKEL PLATED.
- HOT TIN DIP ON SHELL'S LEGS.
- WAVE SOLDER CAPABLE TO 265°C PER TE CONNECTIVITY SPEC. 109-202, CONDITION B.
 - RJ45 CAVITY CONFIRMS TO FCC RULES AND REGULATIONS PART 68, SUBPART F.



STATUS	HTD	HTD	DIM A	HOUSING COLOR	MIN. GOLD THICKNESS	PART NUMBER
OBSOLETE	WITHOUT HTD	2.8	2.8	BLACK	0.762um [30u"]	3-1775855-1
			2.6	BLACK	GOLD FLASH	2-1775855-2
12.61	WITH HTD	2.8	2.8	BLACK	0.762um [30u"]	1-1775855-1
			2.6	BLACK	GOLD FLASH	1775855-3
			2.8	GOOL GRAY 1C	GOLD FLASH	1775855-2
			2.8	BLACK	GOLD FLASH	1775855-1
WEIGHT (gram)	HOT TIN DIP ON SHELL'S LEGS	DIM A	HOUSING COLOR	MIN. GOLD THICKNESS	PART NUMBER	

THIS DRAWING IS A CONTROLLED DOCUMENT.

DIMENSIONS:	TOLERANCES UNLESS OTHERWISE SPECIFIED:
mm	
	0 PLC ± -
	1 PLC ± 0.3
	2 PLC ± 0.2
	3 PLC ± 0.15
	4 PLC ± -
	ANGLES ± 3'
MATERIAL	FINISH
SEE TABEL	-

DWN	B. HSING	12JUN2009
CHK	S. CHIEN	12JUN2009
APVD	W. KODAMA	12JUN2009
PRODUCT SPEC	108-57802	
APPLICATION SPEC	-	
WEIGHT	-	
CUSTOMER DRAWING		

TE Connectivity Ltd.			
NAME MODULAR JACK, RJ45, STACKED OVER, USB CONN., DIP TYPE			
SIZE	CAGE CODE	DRAWING NO	RESTRICTED TO
A3	00779	C=1775855	-
SCALE		SHEET	REV
1:1		1 of 5	E

THIS DRAWING IS UNPUBLISHED.

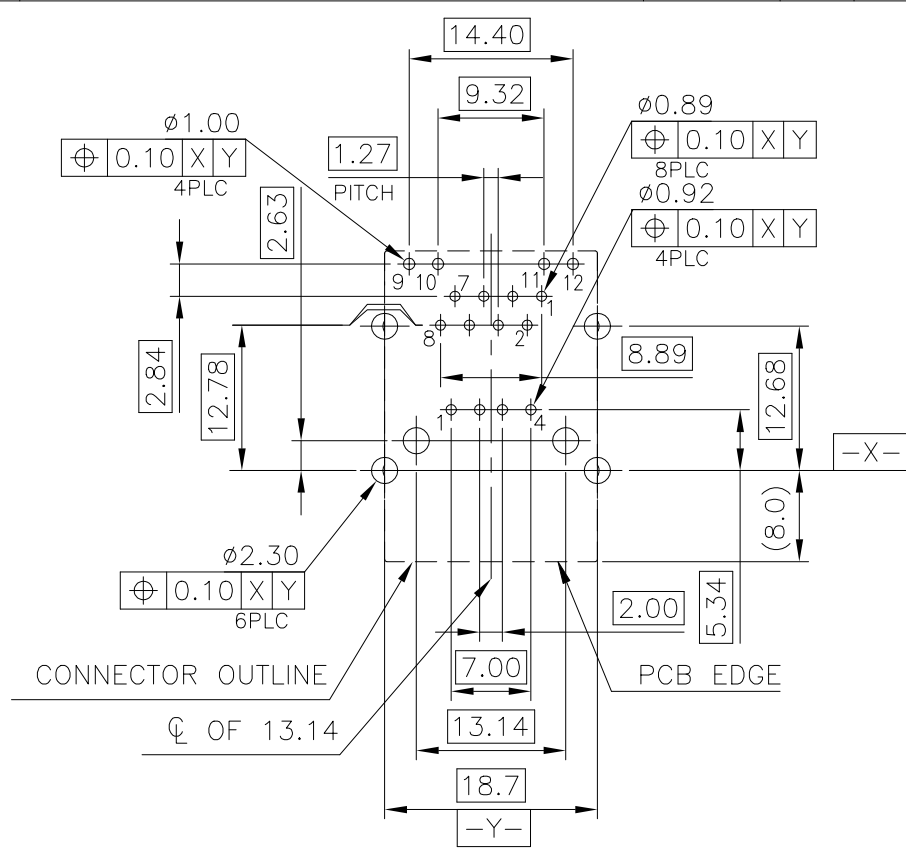
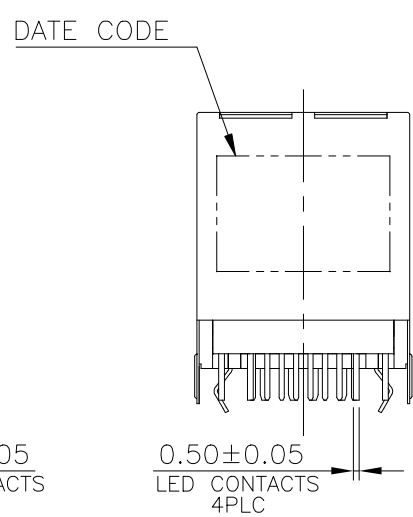
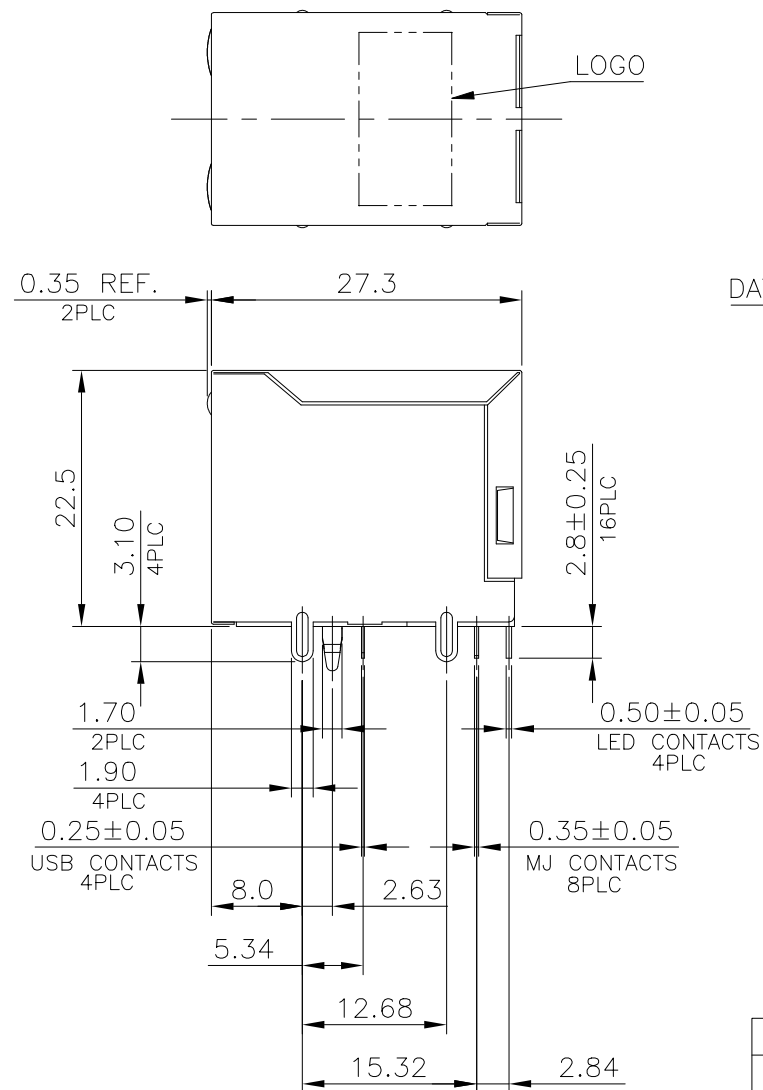
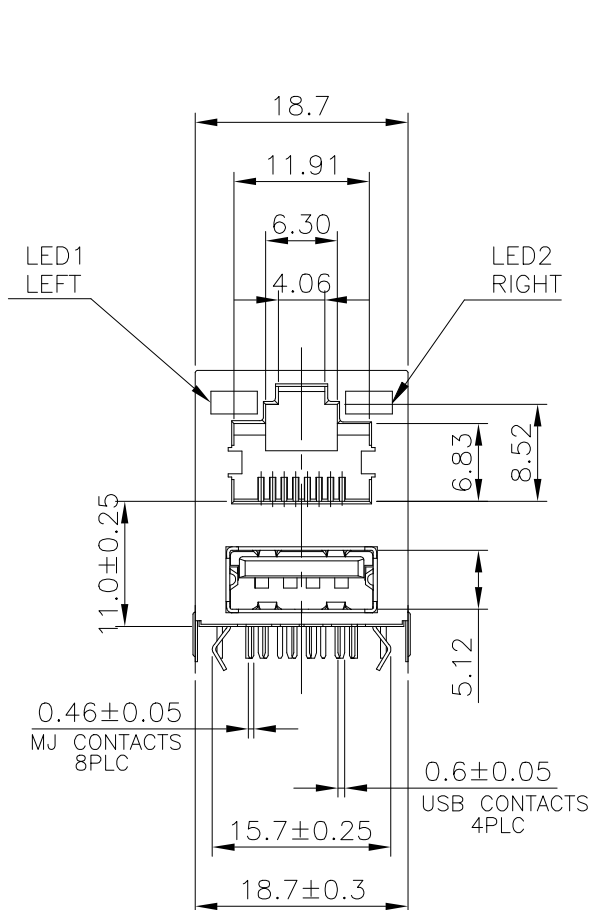
RELEASED FOR PUBLICATION

© COPYRIGHT - TE Connectivity Ltd.

ALL RIGHTS RESERVED.

REVISIONS

P	LTR	DESCRIPTION	DATE	DWN	APVD
-	-	SEE SHEET 1	-	-	-



RECOMMENDED PCB LAYOUT
 RECOMMENDED PCB THICKNESS: 1.6mm
 TOLERANCE: ±0.05 (TOP VIEW)

NOTE:

- MATERIAL:
 - MJ HOUSING & LED COVER: PBT, WITH 30% GF, UL94V-0, BLACK COLOR.
 - MJ CONTACTS: PHOSPHOR BRONZE.
 - MJ SHIELD: BRASS.
 - LED SOLDER TAIL: EPOXY, STEEL.
 - USB HOUSING: PBT, UL94V-0, BLACK COLOR.
 - USB CONTACTS: BRASS.
 - USB SHIELD: SPCC.
- FINISH:
 - MJ CONTACTS: GOLD FLASH PLATED ON CONTACT AREA, GOLD FLASH ON SOLDER TAILS, 1.27um [50u"] MIN. NICKEL UNDERPLATED OVERALL.
 - MJ SHIELD: 0.508um [20u"] MIN. NICKEL PLATED.
 - LED SOLDER TAIL: 1.02um [40u"] COPPER UNDERPLATED OVERALL, 1.27um [50u"] NICKEL OVERALL, 1.27um [50u"] SILVER ON BONDING AREA, 2.54um [100u"] BRIGHT-TIN ON SOLDER AREA.
 - USB CONTACT: GOLD FLASH PLATED ON CONTACT AREA, 2.54um [100u"] MIN. BRIGHT-TIN PLATED ON SOLDER TAILS, 1.27um [50u"] MIN. NICKEL UNDERPLATED OVERALL.
 - USB SHIELD: 2.032um [80u"] MIN. NICKEL PLATED.
- WAVE SOLDER CAPABLE TO 265°C PER TE CONNECTIVITY SPEC. 109-202, CONDITION B.

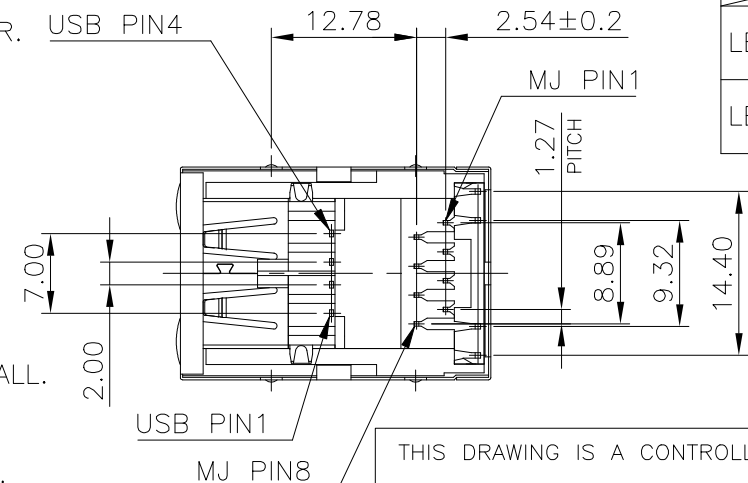
FOR 4-1775855-1

LED ELECTRICAL CHARACTERISTIC			
	NODE	COLOR	
LED LEFT	9(+)	10(-)	ORANGE
	9(-)	10(+)	GREEN
LED RIGHT	11(+)	12(-)	ORANGE
	11(-)	12(+)	GREEN

FOR 4-1775855-2

LED ELECTRICAL CHARACTERISTIC			
	NODE	COLOR	
LED LEFT	9(+)	10(-)	GREEN
	9(-)	10(+)	ORANGE
LED RIGHT	11(+)	12(-)	GREEN
	11(-)	12(+)	ORANGE

13.11	GREEN/ORANGE	GREEN	4-1775855-2
	ORANGE/GREEN	ORANGE/GREEN	4-1775855-1
WEIGHT (gram)	LEFT	RIGHT	PART NUMBER
	LED COLORS		



THIS DRAWING IS A CONTROLLED DOCUMENT.

DIMENSIONS: mm	TOLERANCES UNLESS OTHERWISE SPECIFIED:	DWN B. HSING 12JUN2009	TE Connectivity Ltd. NAME MODULAR JACK, RJ45, STACKED OVER, USB CONN., DIP TYPE
	0 PLC ± - 1 PLC ± 0.3 2 PLC ± 0.2 3 PLC ± 0.15 4 PLC ± - ANGLES ± 3° FINISH	CHK S. CHIEN 12JUN2009	
		APVD W. KODAMA 12JUN2009	
		PRODUCT SPEC 108-57802	
MATERIAL SEE TABEL	WEIGHT -	APPLICATION SPEC -	SIZE A3 CAGE CODE 00779 DRAWING NO C-1775855 RESTRICTED TO - CUSTOMER DRAWING SCALE 1:1 SHEET 2 of 5 REV E

THIS DRAWING IS UNPUBLISHED.

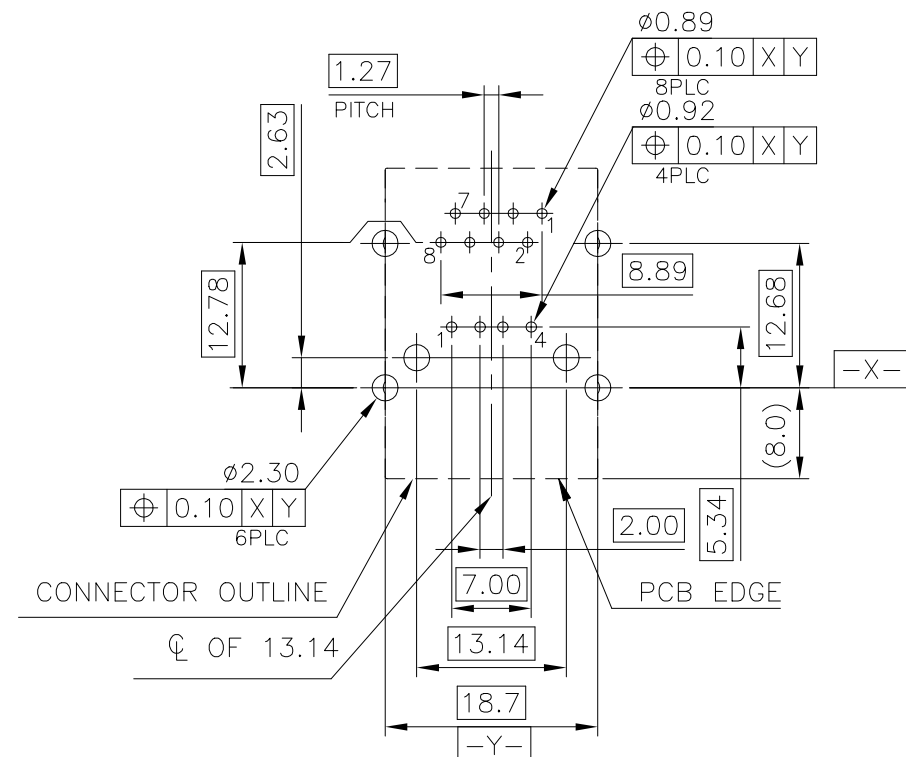
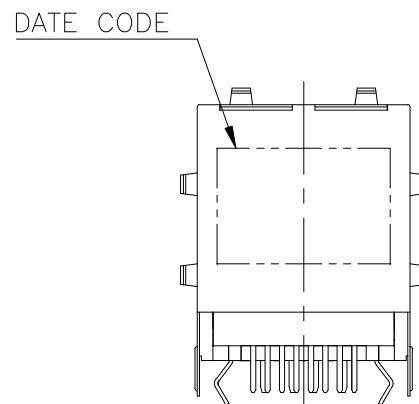
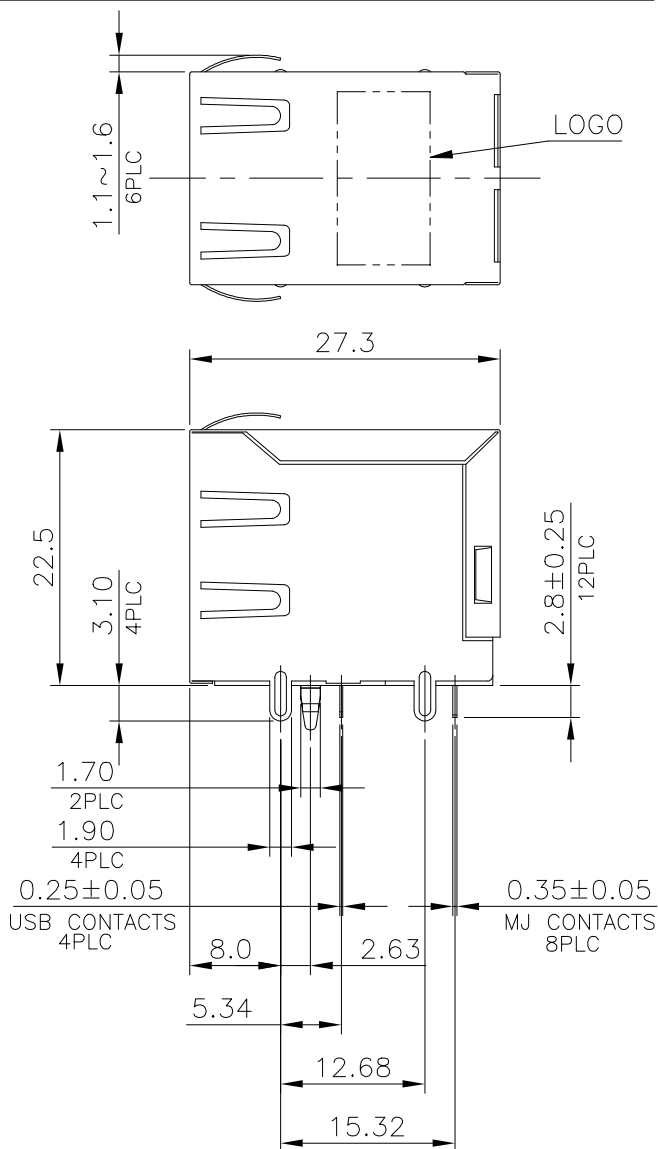
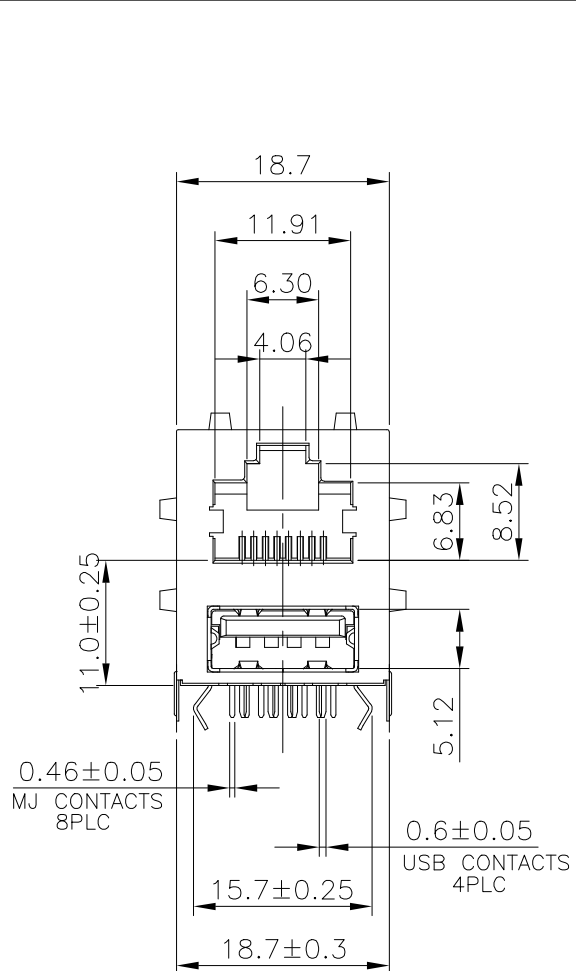
RELEASED FOR PUBLICATION

© COPYRIGHT - TE Connectivity Ltd.

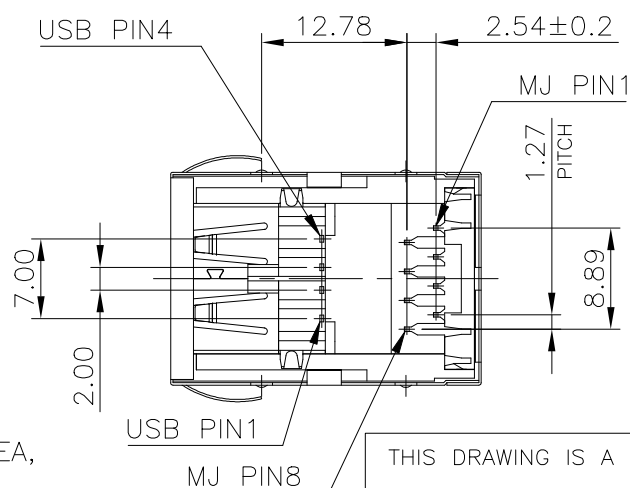
ALL RIGHTS RESERVED.

REVISIONS

P	LTR	DESCRIPTION	DATE	DWN	APVD
-	-	SEE SHEET 1	-	-	-



RECOMMENDED PCB LAYOUT
 RECOMMENDED PCB THICKNESS: 1.6mm
 TOLERANCE: ±0.05 (TOP VIEW)



NOTE:

- MATERIAL:
 - MJ HOUSING: PBT, WITH 30% GF, UL94V-0, COLOR: SEE TABLE.
 - MJ CONTACTS: PHOSPHOR BRONZE.
 - MJ SHIELD: BRASS.
 - USB HOUSING: PBT, UL94V-0, COLOR: SEE TABLE.
 - USB CONTACTS: BRASS.
 - USB SHIELD: SPCC.
- FINISH:
 - MJ CONTACTS: GOLD FLASH PLATED ON CONTACT AREA, GOLD FLASH ON SOLDER TAILS, 1.27um [50u"] MIN. NICKEL UNDERPLATED OVERALL.
 - MJ SHIELD: 0.508um [20u"] MIN. NICKEL PLATED.
 - USB CONTACT: GOLD FLASH PLATED ON CONTACT AREA, 2.54um [100u"] MIN. BRIGHT-TIN PLATED ON SOLDER TAILS, 1.27um [50u"] MIN. NICKEL UNDERPLATED OVERALL.
 - USB SHIELD: 2.032um [80u"] MIN. NICKEL PLATED.
- WAVE SOLDER CAPABLE TO 265°C PER TE CONNECTIVITY SPEC. 109-202, CONDITION B.

12.69	5-1775855-1
WEIGHT (gram)	PART NUMBER

THIS DRAWING IS A CONTROLLED DOCUMENT.		DWN	12JUN2009	TE Connectivity Ltd.	NAME MODULAR JACK, RJ45, STACKED OVER, USB CONN., DIP TYPE
DIMENSIONS: mm		CHK	12JUN2009		
TOLERANCES UNLESS OTHERWISE SPECIFIED:		APVD	12JUN2009		
0 PLC ± - 1 PLC ± 0.3 2 PLC ± 0.2 3 PLC ± 0.15 4 PLC ± - ANGLES ± 3°		PRODUCT SPEC	108-57802		
MATERIAL SEE TABEL		APPLICATION SPEC	-	SIZE	A3
		WEIGHT	-	CAGE CODE	00779
		CUSTOMER DRAWING		DRAWING NO	1775855
				RESTRICTED TO	-
		SCALE	1:1	SHEET	3 of 5
				REV	E

THIS DRAWING IS UNPUBLISHED.

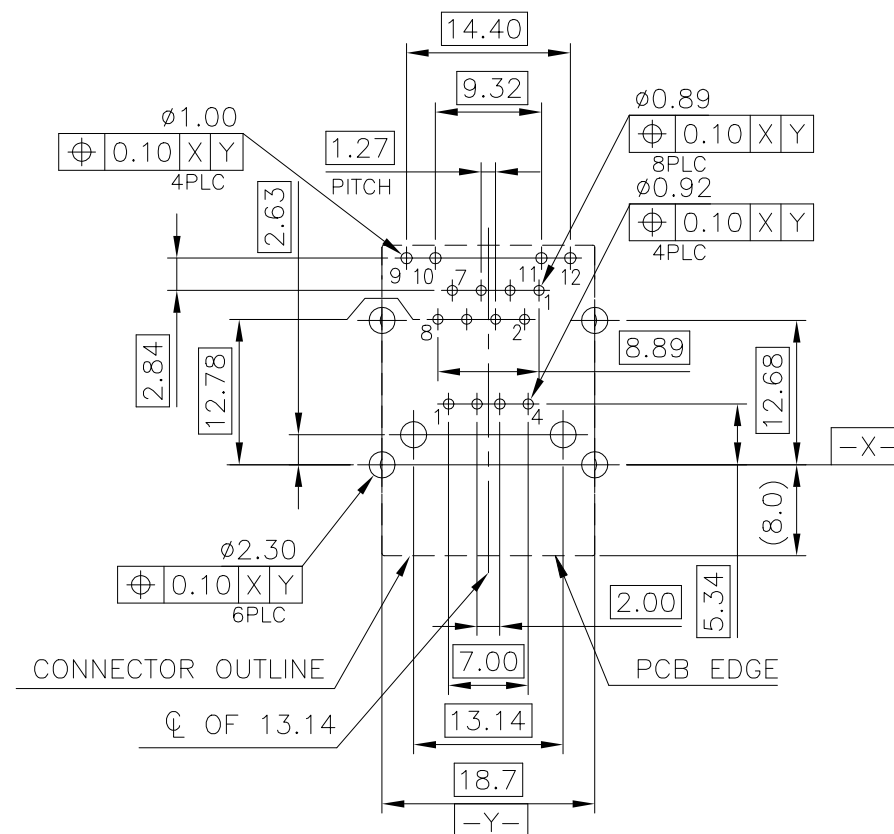
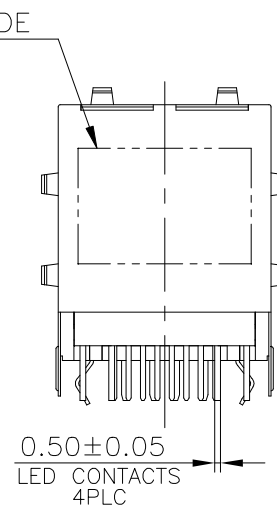
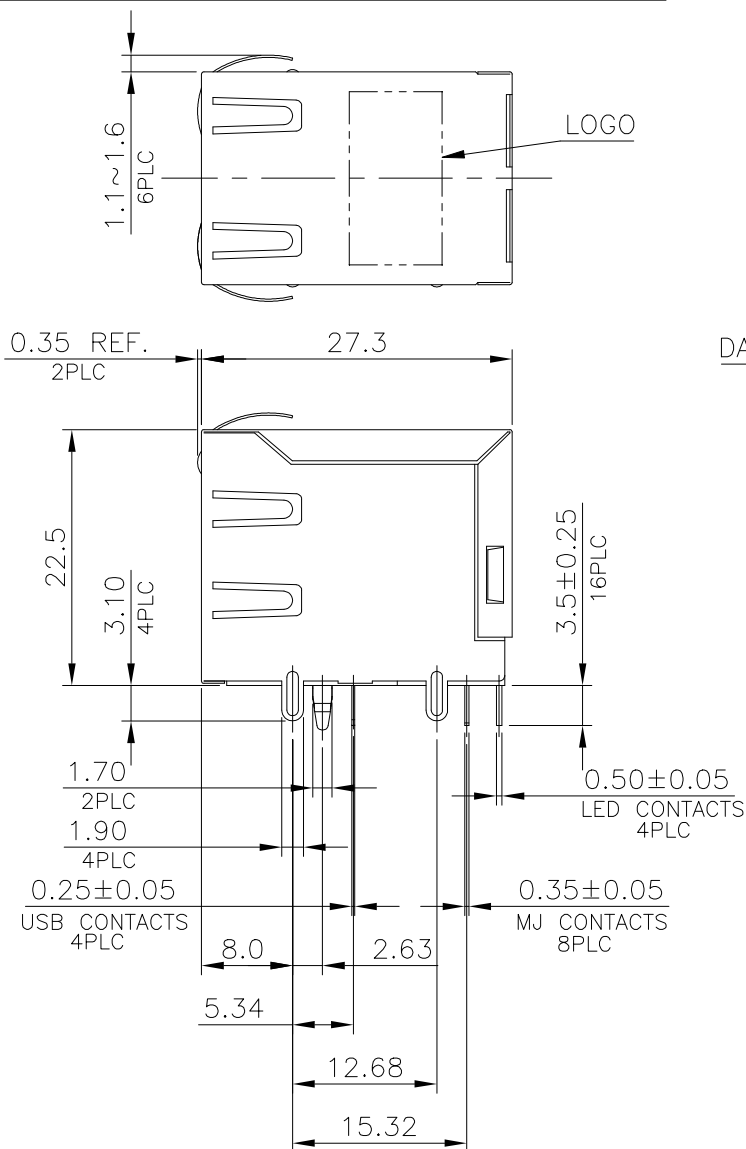
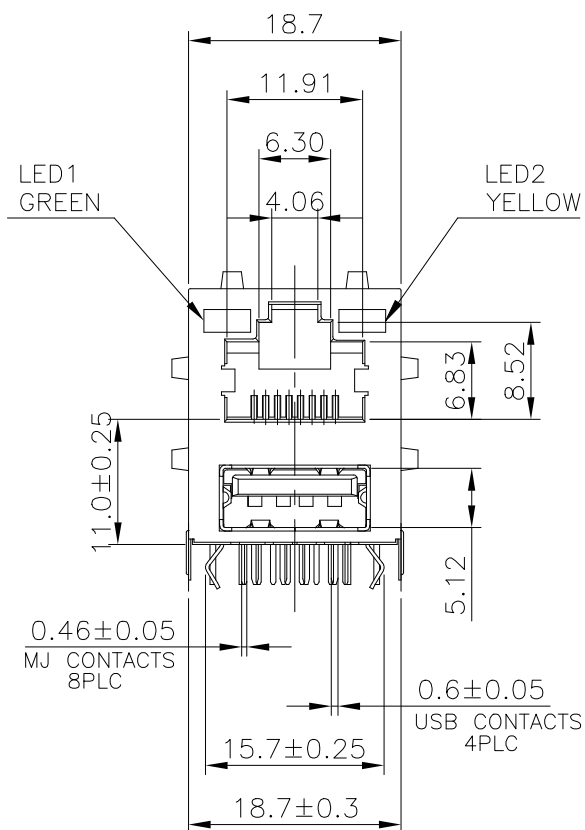
RELEASED FOR PUBLICATION

© COPYRIGHT - TE Connectivity Ltd.

ALL RIGHTS RESERVED.

REVISIONS

P	LTR	DESCRIPTION	DATE	DWN	APVD
-	-	SEE SHEET 1	-	-	-



RECOMMENDED PCB LAYOUT
 RECOMMENDED PCB THICKNESS: 1.6mm
 TOLERANCE: ±0.05 (TOP VIEW)

NOTE:

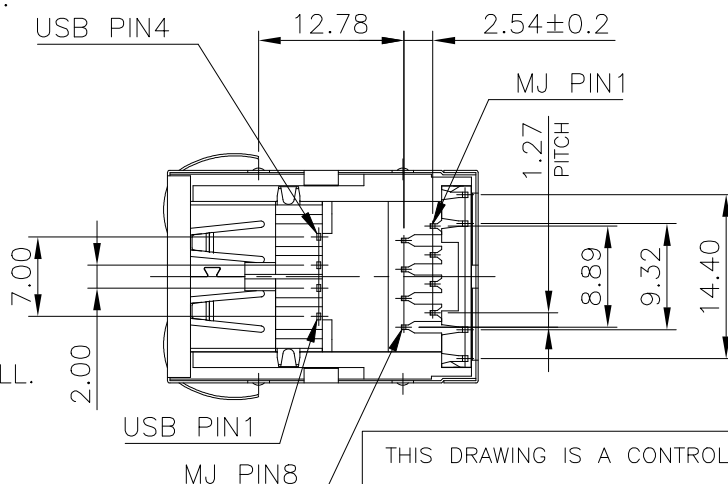
1. MATERIAL:

- 1.1 MJ HOUSING & LED COVER: PBT, WITH 30% GF, UL94V-0, BLACK COLOR.
- 1.2 MJ CONTACTS: PHOSPHOR BRONZE.
- 1.3 MJ SHIELD: BRASS.
- 1.4 LED SOLDER TAIL: EPOXY, STEEL.
- 1.5 USB HOUSING: PBT, UL94V-0, BLACK COLOR.
- 1.6 USB CONTACTS: BRASS.
- 1.7 USB SHIELD: SPCC.

2. FINISH:

- 2.1 MJ CONTACTS: SELECTIVE GOLD PLATED (SEE TABLE) ON CONTACT AREA, GOLD FLASH ON SOLDER TAILS, 1.27um [50u"] MIN. NICKEL UNDERPLATED OVERALL.
- 2.2 MJ SHIELD: 0.508um [20u"] MIN. NICKEL PLATED.
- 2.3 LED SOLDER TAIL: 1.02um [40u"] COPPER UNDERPLATED OVERALL, 1.27um [50u"] NICKEL OVERALL, 1.27um [50u"] SILVER ON BONDING AREA, 2.54um [100u"] BRIGHT-TIN ON SOLDER AREA.
- 2.4 USB CONTACT: SELECTIVE GOLD PLATED (SEE TABLE) ON CONTACT AREA, 2.54um [100u"] MIN. BRIGHT-TIN PLATED ON SOLDER TAILS, 1.27um [50u"] MIN. NICKEL UNDERPLATED OVERALL.
- 2.5 USB SHIELD: 2.032um [80u"] MIN. NICKEL PLATED.

- 3. WAVE SOLDER CAPABLE TO 265°C PER TE CONNECTIVITY SPEC. 109-202, CONDITION B.



LED ELECTRICAL CHARACTERISTIC			
NO.	NODE	COLOR	
LED1	9(+)	10(-)	GREEN 9-10
LED2	11(+)	12(-)	YELLOW 11-12

OBSOLETE	12.90	0.762um [30u"]	6-1775855-3
		GOLD FLASH	6-1775855-1
	WEIGHT (gram)	MIN. GOLD THICKNESS	PART NUMBER

THIS DRAWING IS A CONTROLLED DOCUMENT.

DIMENSIONS: mm	TOLERANCES UNLESS OTHERWISE SPECIFIED:	DWN B. HSING 12JUN2009	TE Connectivity Ltd. NAME: MODULAR JACK, RJ45, STACKED OVER, USB CONN., DIP TYPE
	0 PLC ± -	CHK S. CHIEN 12JUN2009	
	1 PLC ± 0.3	APVD W. KODAMA 12JUN2009	
	2 PLC ± 0.2	PRODUCT SPEC	
MATERIAL	FINISH	APPLICATION SPEC	SIZE: A3 CAGE CODE: 00779 DRAWING NO: 1775855 RESTRICTED TO: -
SEE TABEL	-	WEIGHT: -	CUSTOMER DRAWING SCALE: 1:1 SHEET: 4 of 5 REV: E

THIS DRAWING IS UNPUBLISHED.

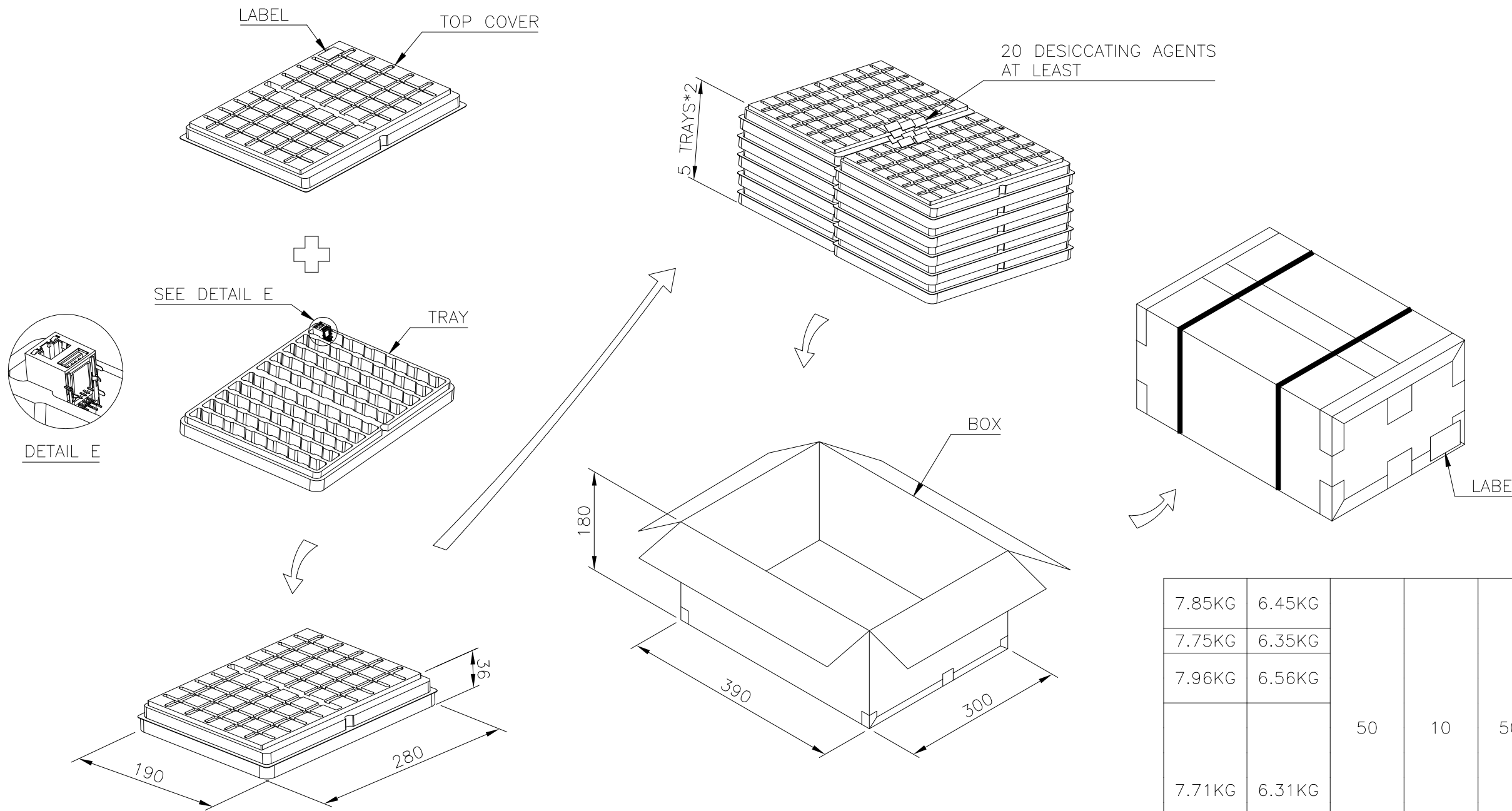
RELEASED FOR PUBLICATION

ALL RIGHTS RESERVED.

© COPYRIGHT - TE Connectivity Ltd.

REVISIONS

P	LTR	DESCRIPTION	DATE	DWN	APVD
-	-	SEE SHEET 1	-	-	-



- NOTES:
- MATERIAL:
TRAY: PVC.
BOX: CORRUGATED FIBER.
 - DIMENSION: SEE DRAWING
 - QUANTITY: SEE TABLE
 - WEIGHT: SEE TABLE

7.85KG	6.45KG				6-1775855-3
					6-1775855-1
7.75KG	6.35KG				5-1775855-1
					4-1775855-2
7.96KG	6.56KG				4-1775855-1
					3-1775855-1
		50	10	500	2-1775855-2
					2-1775855-1
7.71KG	6.31KG				1-1775855-1
					1775855-3
					1775855-2
					1775855-1
GROSS WEIGHT	NET WEIGHT	PCS/ TRAY	TRAY/ BOX	PCS/ BOX	PART NUMBER

THIS DRAWING IS A CONTROLLED DOCUMENT.		DWN	B. HSING	12JUN2009	 TE Connectivity Ltd.
		CHK	S. CHIEN	12JUN2009	
		APVD	W. KODAMA	12JUN2009	
		PRODUCT SPEC			
DIMENSIONS: mm 		TOLERANCES UNLESS OTHERWISE SPECIFIED: 0 PLC ± - 1 PLC ± 0.3 2 PLC ± 0.2 3 PLC ± 0.15 4 PLC ± - ANGLES ± 3°			NAME MODULAR JACK, RJ45, STACKED OVER, USB CONN., DIP TYPE
MATERIAL SEE TABEL		FINISH -			APPLICATION SPEC 108-57802 - WEIGHT -
		CUSTOMER DRAWING			SIZE A3
		SCALE 1:1			CAGE CODE 00779
		SHEET 5 of 5			DRAWING NO 1775855
		REV E			RESTRICTED TO -

单击下面可查看定价，库存，交付和生命周期等信息

[>>TE Connectivity\(泰科\)](#)