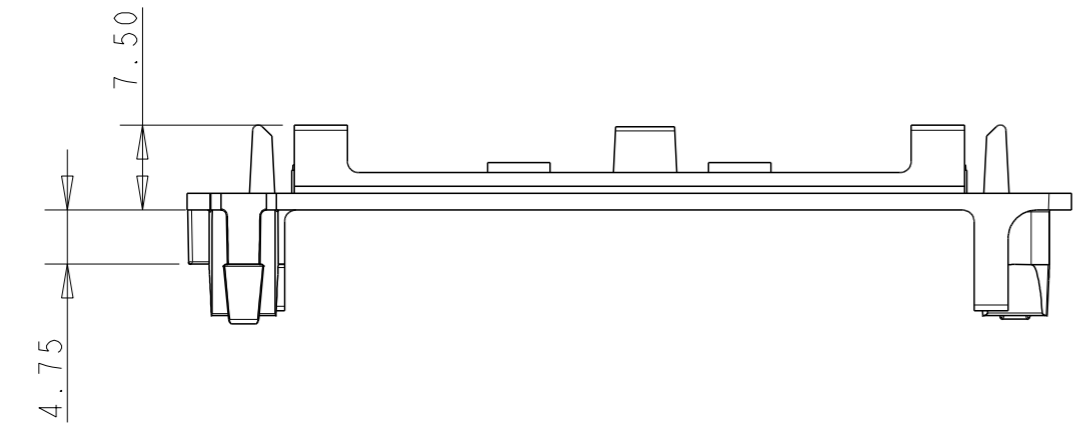
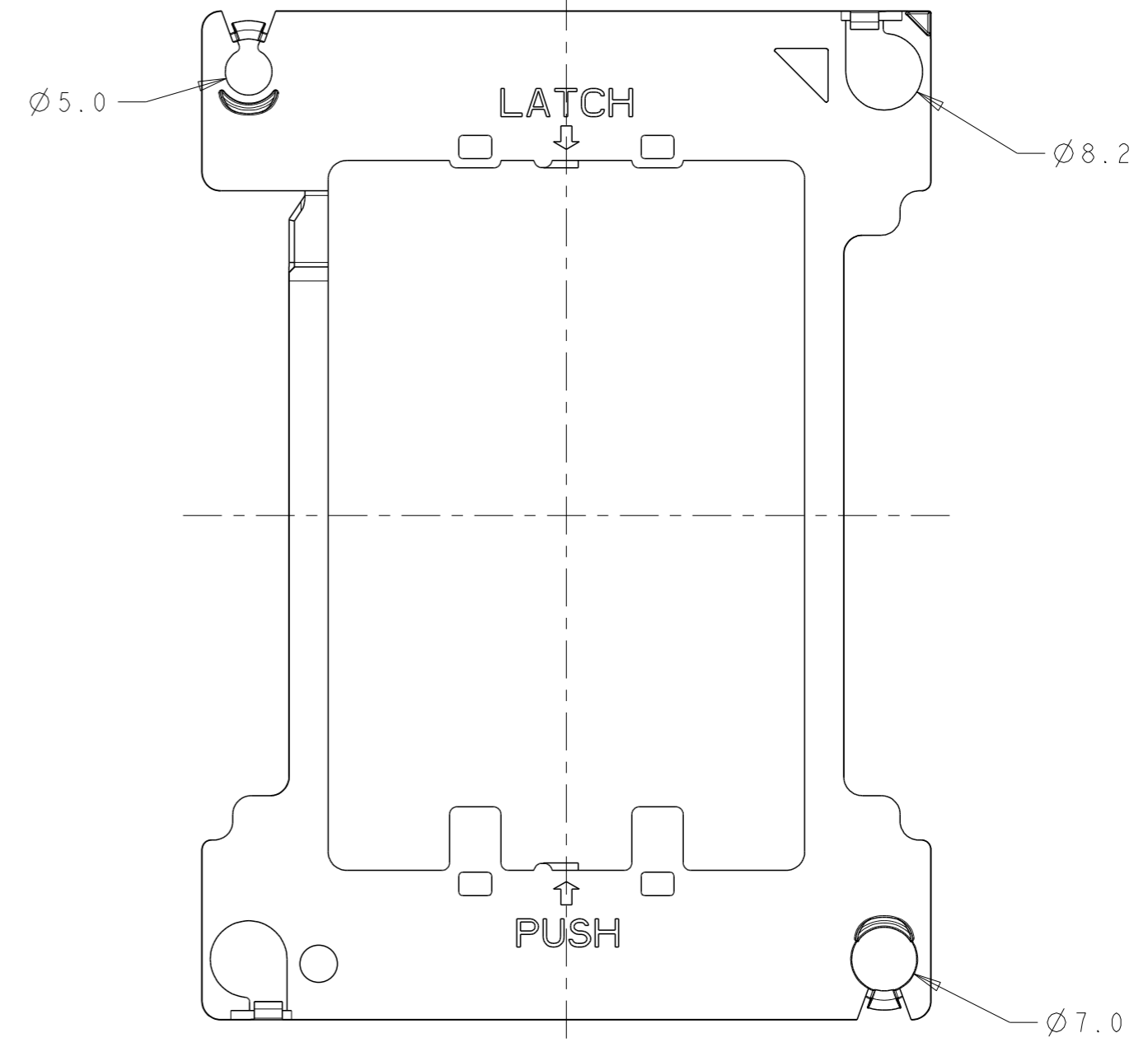
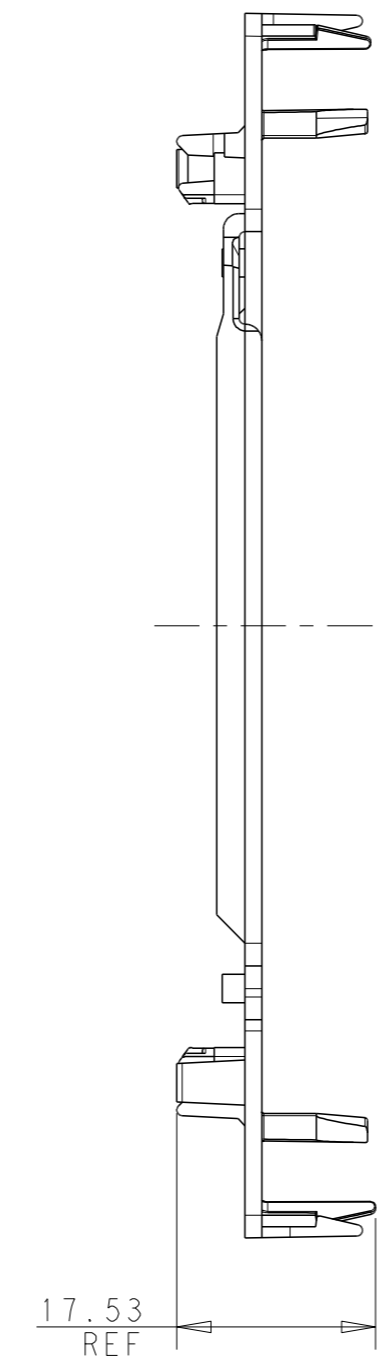
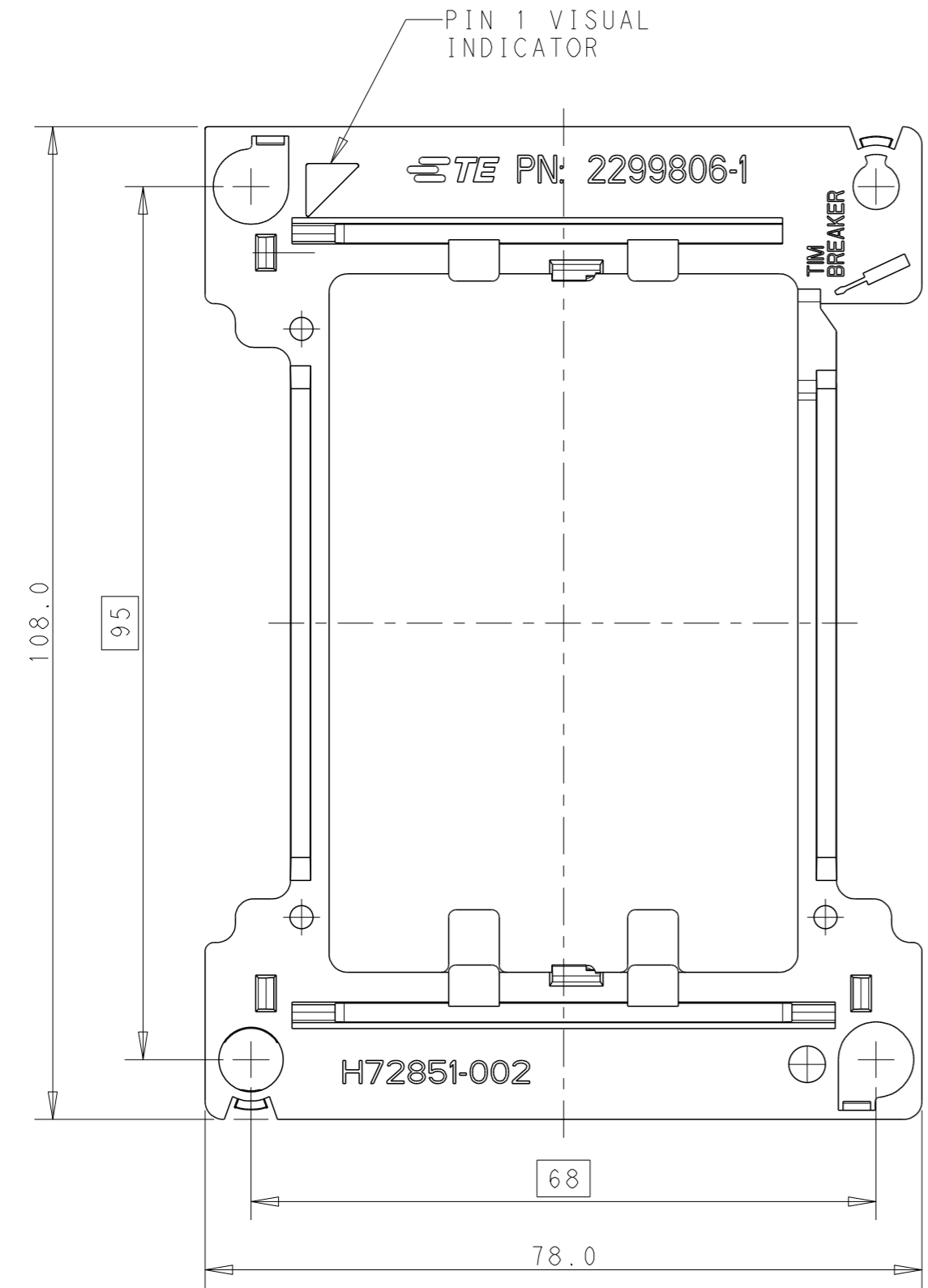


THIS DRAWING IS UNPUBLISHED. RELEASED FOR PUBLICATION  
 © COPYRIGHT - BY - ALL RIGHTS RESERVED.

REVISIONS				
P	LTR	DESCRIPTION	DATE	APVD
	A	RELEASED	27NOV16	J.W C.W



PN 2299806-1 AS SHOWN

NOTE:  
 1. MATERIAL:  
 - TYPE: PC-ABS  
 - COLOR: BLACK  
 - UL94V-0  
 2. THIS PRODUCT IS APPLICABLE FOR LGA3647 SOCKET.

THIS DRAWING IS A CONTROLLED DOCUMENT.		DWN: 23JUN2016 JEFF WANG	TE Connectivity	
DIMENSIONS: mm		CHK: 23JUN2016 SIMON LI		
TOLERANCES UNLESS OTHERWISE SPECIFIED:		APVD: 23JUN2016 COREI WANG	NAME: SKX-EP NRW-NF CPU CARRIER	
0 PLC ±0.3 1 PLC ±0.3 2 PLC ±0.3 3 PLC ± 4 PLC ± ANGLES ±3° FINISH -		PRODUCT SPEC	SIZE: A2	CAGE CODE: -
MATERIAL: -		APPLICATION SPEC	DRAWING NO: C-2299806	RESTRICTED TO: -
WEIGHT: -		WEIGHT	SCALE: 1:1	SHEET: 1 OF 1
CUSTOMER DRAWING		SCALE: 1:1	SHEET: 1 OF 1	REV: A

单击下面可查看定价，库存，交付和生命周期等信息

[>>TE Connectivity\(泰科\)](#)