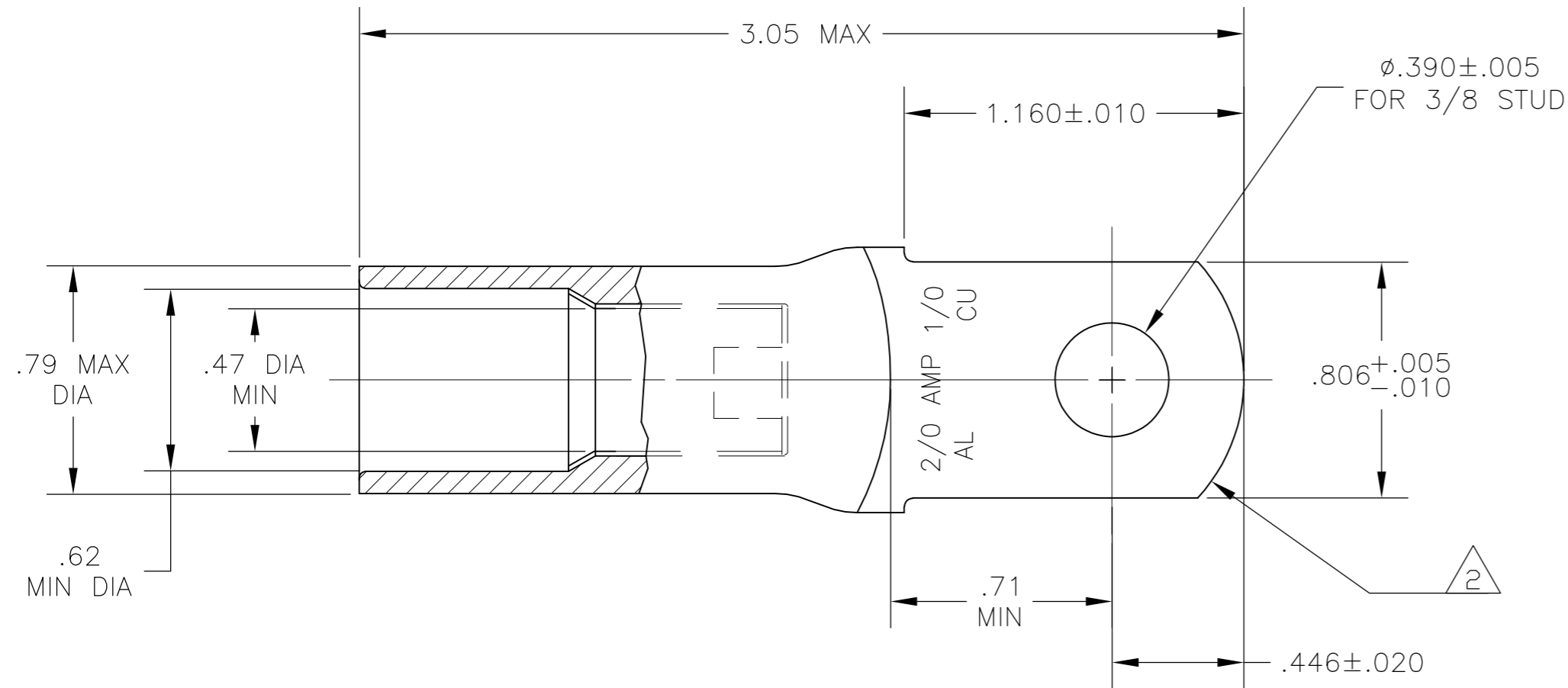
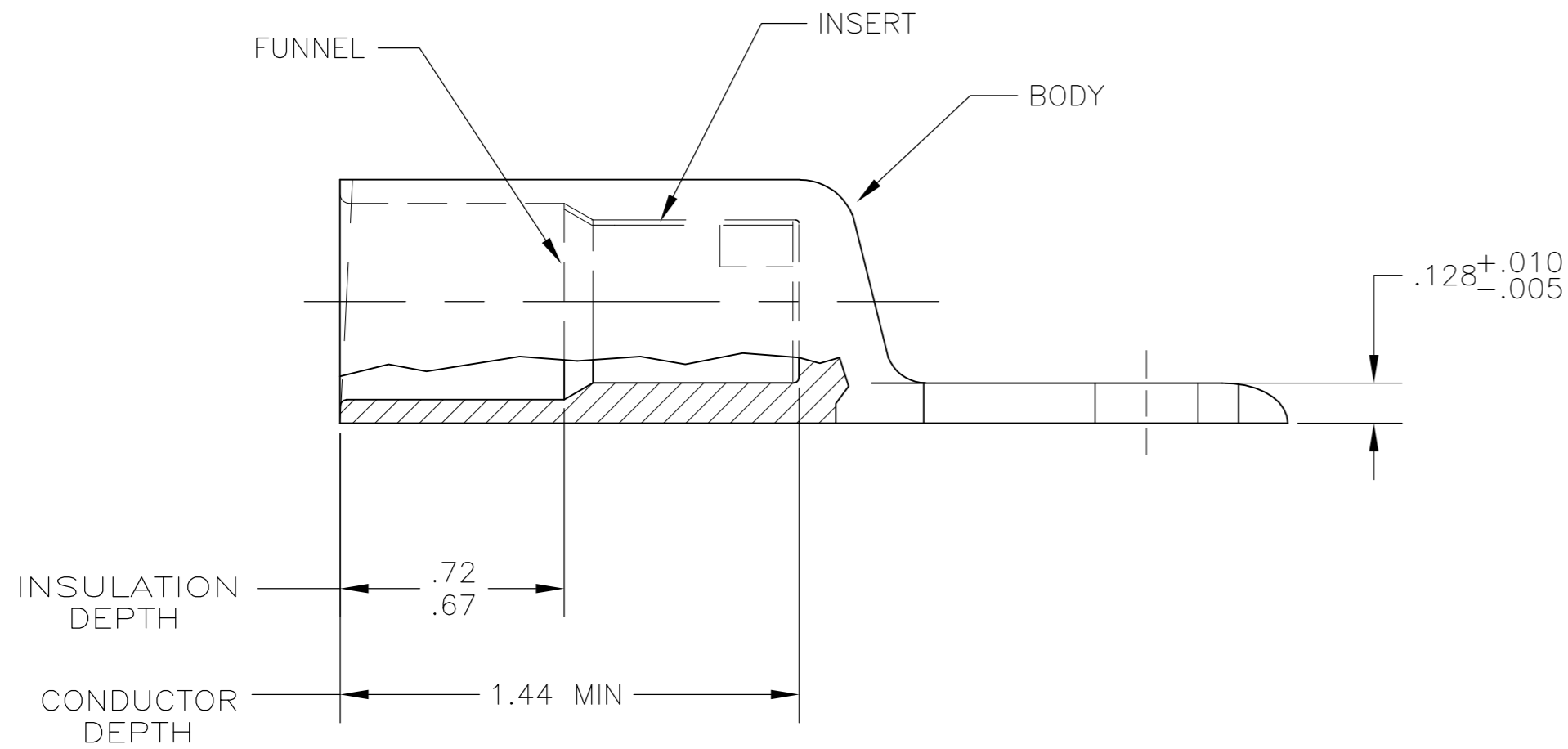


THIS DRAWING IS UNPUBLISHED. RELEASED FOR PUBLICATION
 © COPYRIGHT - By - ALL RIGHTS RESERVED.

LOC		DIST		REVISIONS			MS		
P	LTR	DESCRIPTION			DATE	DWN	APVD		
	G	REV PER ECO 15-005109			27APR15	KG	PD		



- 1 WIRE INSULATION: .500-.550 DIA
- 2 THE TONGUE RADIUS FEATURE IS NOT A TOOLING CONTROLLED DIMENSION AND MAY NOT BE A TRUE RADIUS.



BODY: COPPER ASTM-B187 ANNEALED TIN PL PER ASTM B-545 .000150 MIN THK INSERT & FUNNEL: BRASS ASTM B36 NICKEL PL SAE AMS QQ-N-290A, DATED JULY 2000, .000100 MIN THK	696972-1
MATERIAL & FINISH	PART NO.

THIS DRAWING IS A CONTROLLED DOCUMENT.		DWN	JR RUTH	23MAY06	 TE Connectivity
DIMENSIONS: INCHES		CHK	MJ SPICER	23MAY06	
TOLERANCES UNLESS OTHERWISE SPECIFIED:		APVD	MJ SPICER	23MAY06	
0 PLC ± - 1 PLC ± - 2 PLC ± - 3 PLC ± .008 4 PLC ± - ANGLES ± -		PRODUCT SPEC	NAME		
MATERIAL SEE TABLE		FINISH	SEE TABLE		WIRE TERMINAL, RING, NARROW TONGUE SEALED COPALUM, WIRE SIZE: 2/0 AL - 1/0 CU
WEIGHT		81 GRAMS		SIZE	RESTRICTED TO
CUSTOMER DRAWING		SCALE	2:1	SHEET	1 of 1
		REV	G		

单击下面可查看定价，库存，交付和生命周期等信息

[>>TE Connectivity\(泰科\)](#)