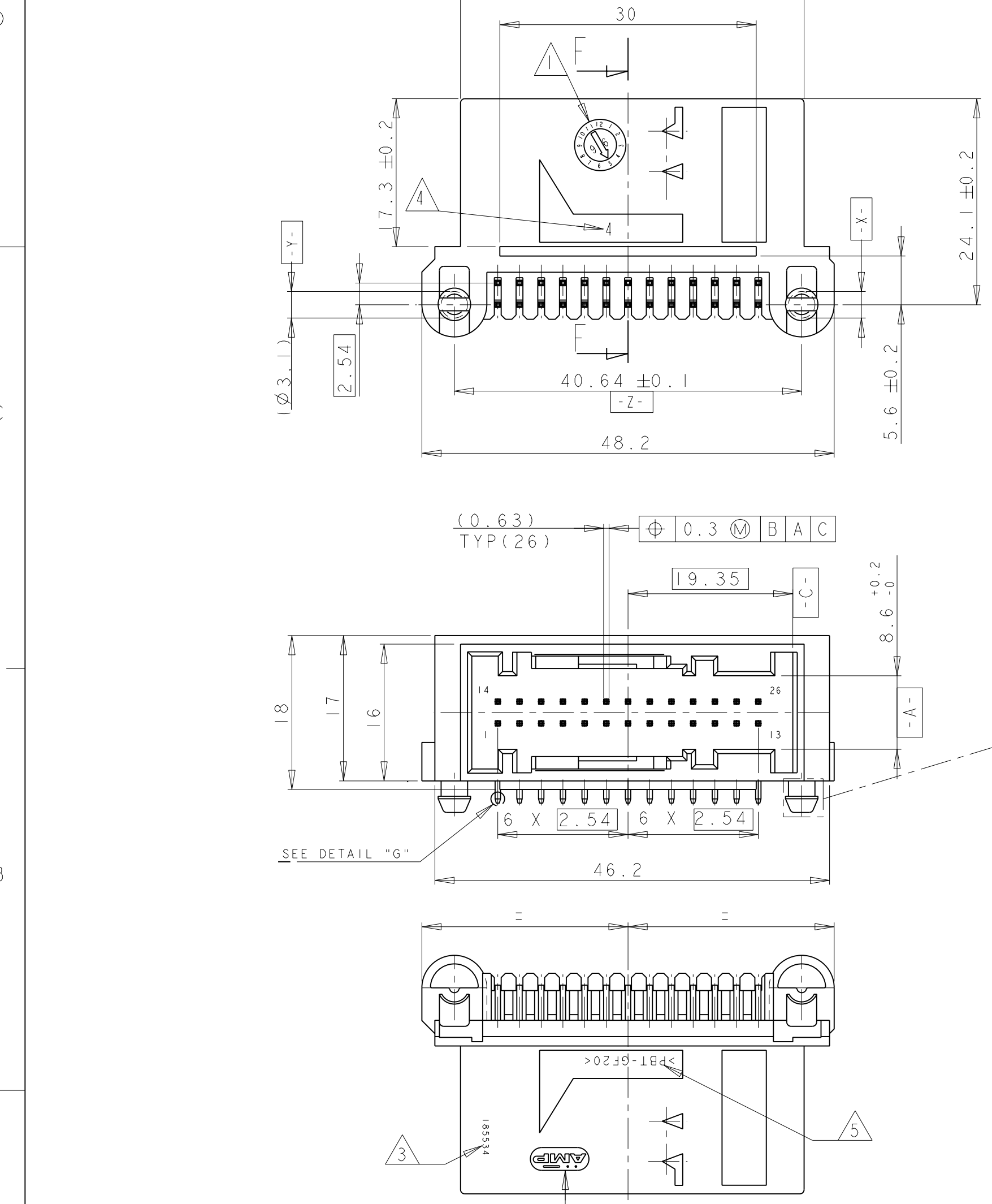
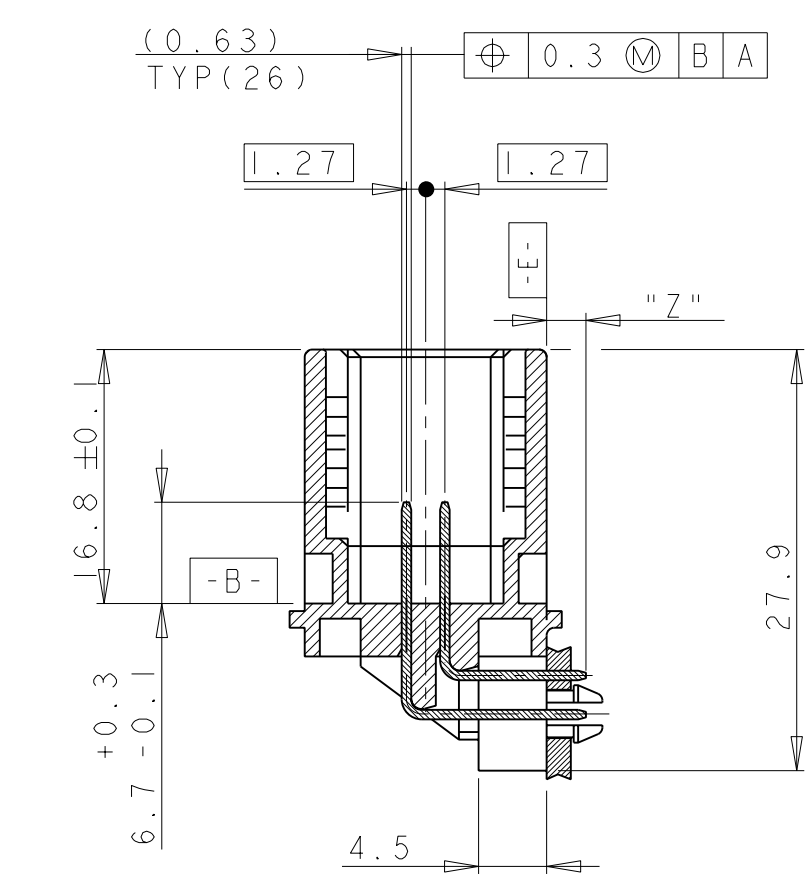


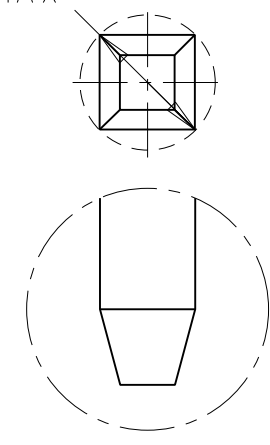
| LOC | DIST | REVISIONS | | | |
|-----|------|----------------------|-----------|-----|------|
| P | LTR | DESCRIPTION | DATE | DWN | APVD |
| A | | MISE A JOUR | 07-AUG-96 | NT | - |
| B | | NEW REFERENCES ADDED | 15-NOV-96 | NT | - |
| C | | LEAD REMOVED | 05-FEB-08 | MV | - |



SECTION F-F



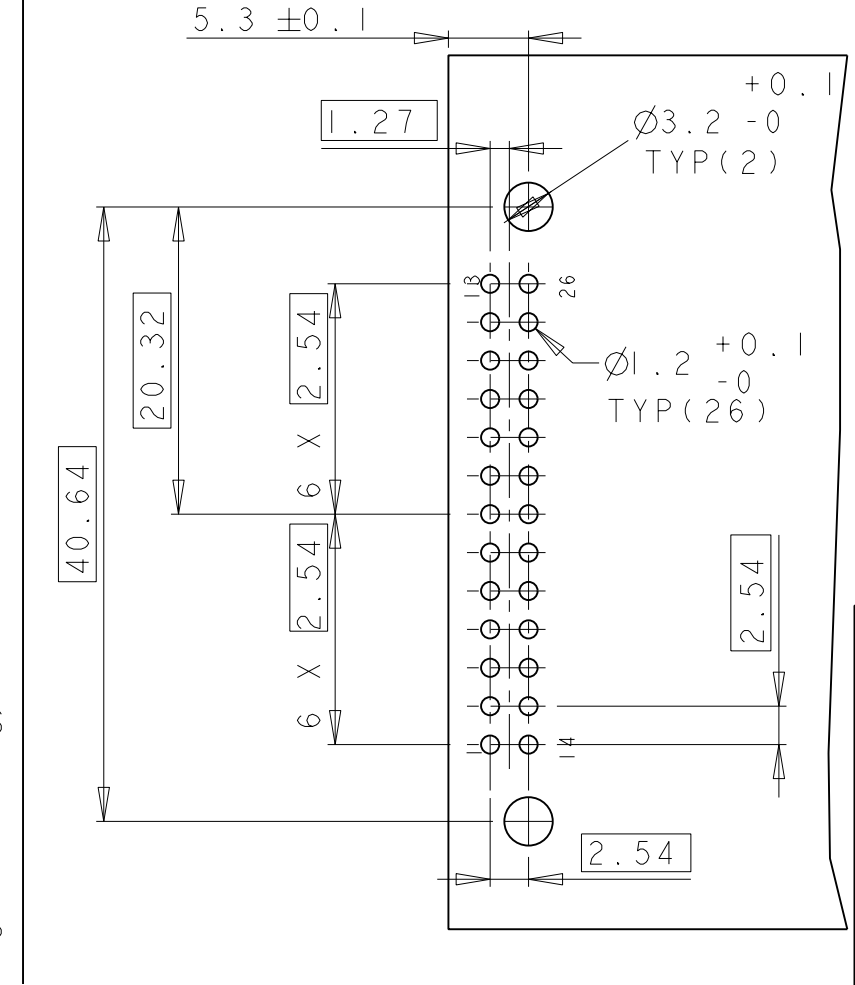
| | | | | |
|-----------|------|---|---|-------|
| ⊕ | ∅0.4 | M | | |
| ⊕ | ∅0.6 | M | E | X-Y Z |
| ∅0.89 MAX | | | | |



DETAIL G
(SCALE: 20:1)

- NOTES:
- | | | | |
|---|--|---|------------------------------------|
| ① | DATE CODE | ① | DATE CODE |
| ② | "AMP" LOGO | ② | LOGO D' "AMP" |
| ③ | TYCO ELECTRONICS PART NUMBER | ③ | REFERENCE PRODUIT TYCO ELECTRONICS |
| ④ | MOLD CAVITY MARKING | ④ | N° EMPREINTE MOULE |
| ⑤ | MATERIAL REFERENCE | ⑤ | REFERENCE MATIERE |
| ⑥ | DIMENSIONS REQUIRED FOR CONNECTOR MATING | ⑥ | ZONE LIBRE POUR MONTAGE PORTE CLIP |

RECOMMENDED PCB LAYOUT
(PRECONISATION DE L'IMPLANTATION DU CIRCUIT IMPRIME)



| | | | |
|---------------------|-----------------|---------|--------------------------------|
| | BLUE (bleu) | 3.5±0.2 | 185534-4 |
| | YELLOW (jaune) | 3.5±0.2 | 185534-3 |
| | | 2.6±0.2 | 185534-2 |
| | | 2.6±0.2 | 185534-1 |
| CODING (Detrompage) | COLOR (Couleur) | "Z" | P/N ASS'Y (reference-assemble) |

| | | |
|--|--------------------------------|--|
| PBT 20% GLASS FIBER (PBT 20% FIBRE DE VERRE) | COPPER ALLOY (ALLIAGE CUIVRE) | TIN OVER NICKEL (ETAIN SUR SOUS-COUCHE NICKEL) |
| HOUSING MATERIAL (MATIERE EMBASE) | PIN MATERIAL (MATIERE CONTACT) | PIN FINISH (FINITION CONTACT) |

| | | | | |
|--|------------|--------------------------|---|---------------------|
| THIS DRAWING IS A CONTROLLED DOCUMENT FOR TYCO ELECTRONICS CORPORATION IT IS SUBJECT TO CHANGE AND THE CONTROLLING ENGINEERING ORGANIZATION SHOULD BE CONTACTED FOR THE LATEST REVISION. | | DWN T NGUYEN 29-FEB-96 | Tyco Electronics France SAS 95300 Pontoise, France | |
| DIMENSIONS: mm | | CHK J LAQUERBE 28-NOV-96 | NAME HEADER ASSY, 26 POSN, MQS, RIGHT ANGLE WITH BOARD-LOCK | |
| TOLERANCES UNLESS OTHERWISE SPECIFIED: | | APVD JJ REVII 28-NOV-96 | EMBASE ASSEMBLEE, 26 POSITIONS, MQS, COUDEE AVEC BOARD-LOCK | |
| 0 PLC ± | 1 PLC ± | PRODUCT SPEC 108-15140 | SIZE | CAGE CODE |
| 2 PLC ±0.3 | 3 PLC ± | APPLICATION SPEC | A200779 | DRAWING NO C-185534 |
| 4 PLC ± | ANGLES ±5° | FINISH | WEIGHT | RESTRICTED TO |
| SEE TABLE | | CUSTOMER DRAWING | SCALE 2:1 | SHEET 1 OF 1 REV C |

单击下面可查看定价，库存，交付和生命周期等信息

[>>TE Connectivity\(泰科\)](#)