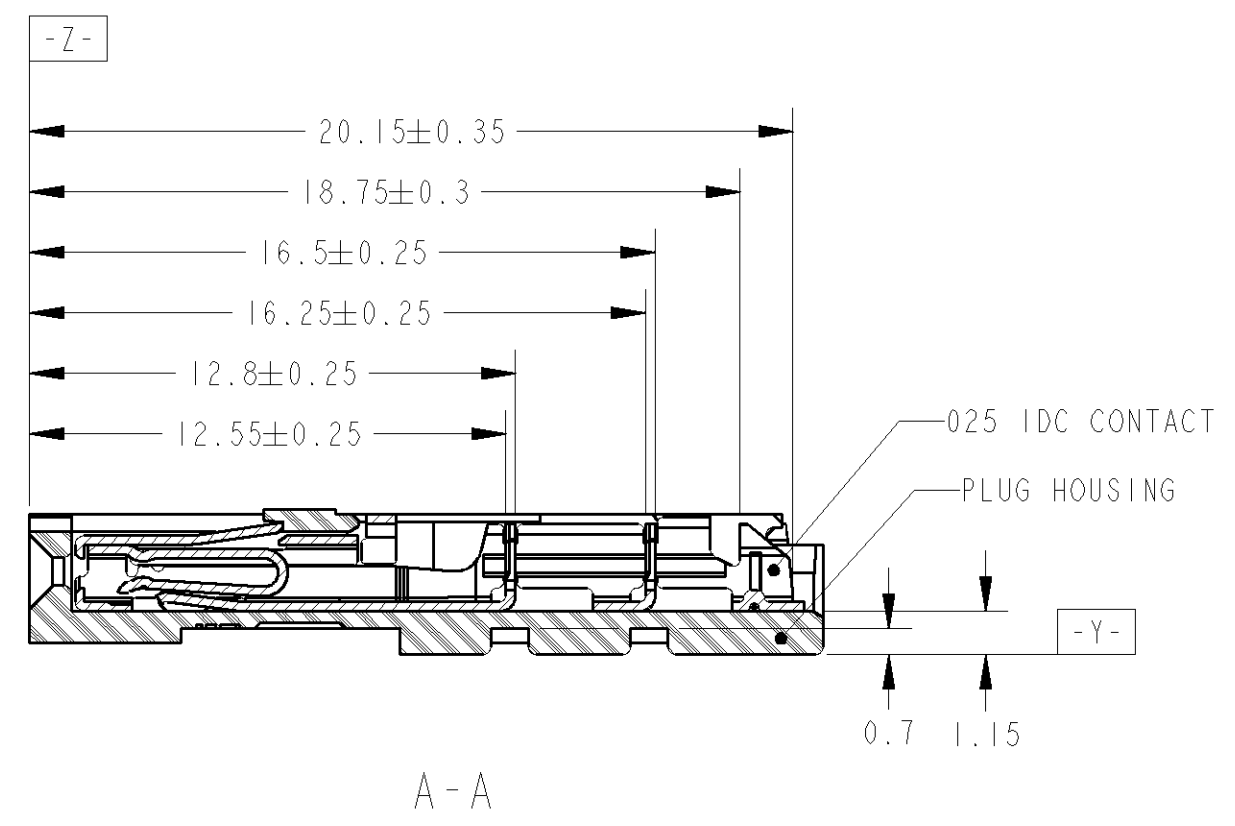
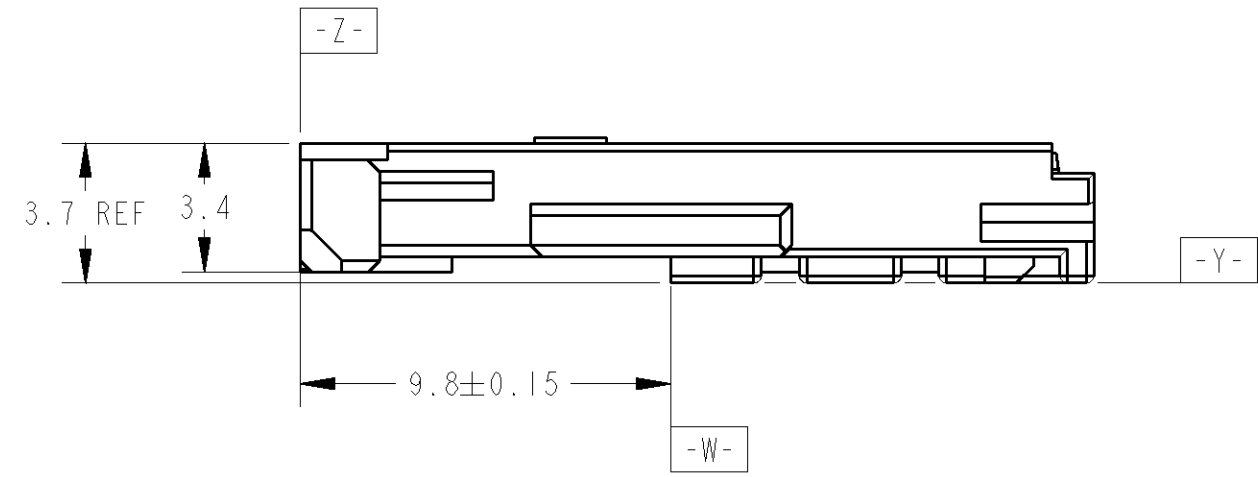
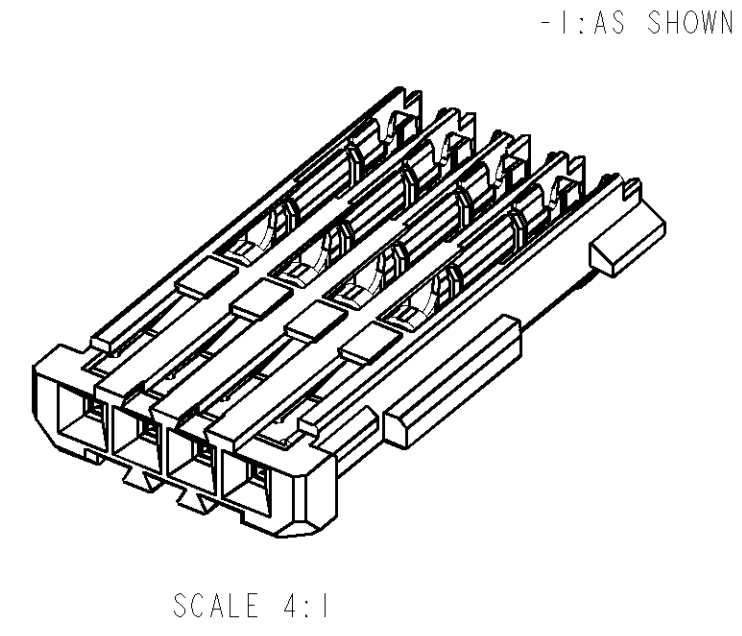
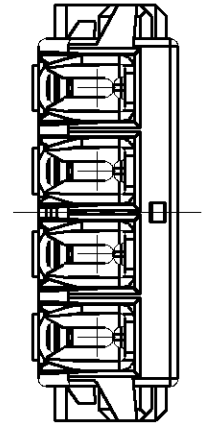
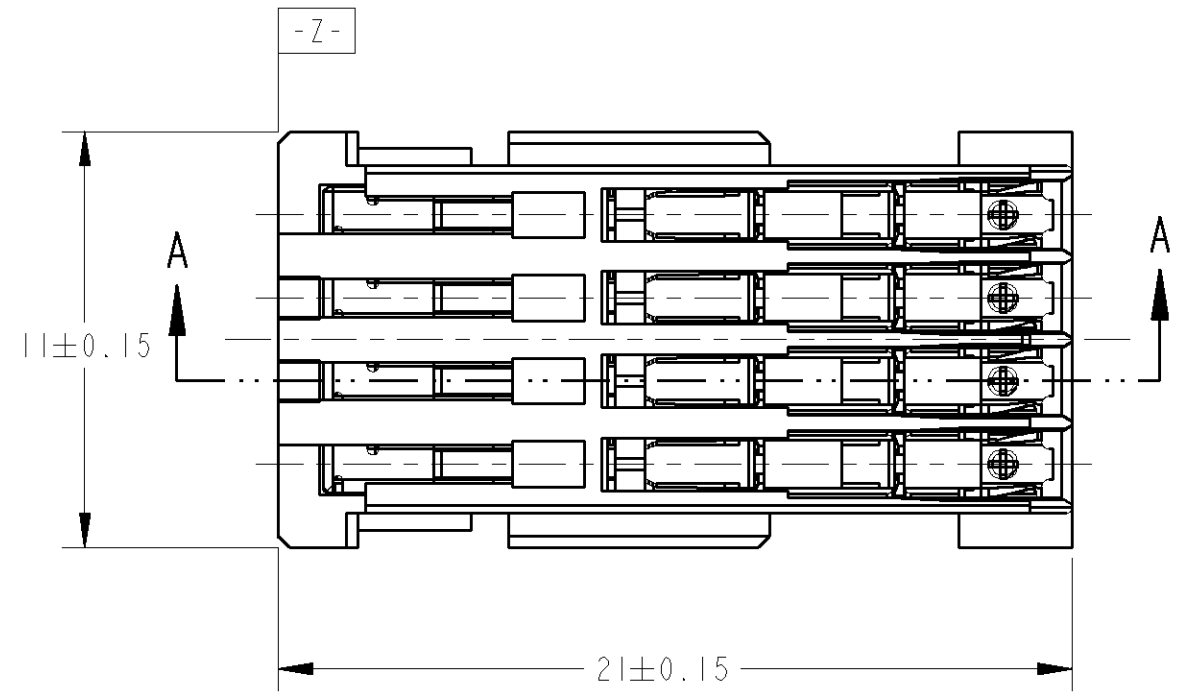
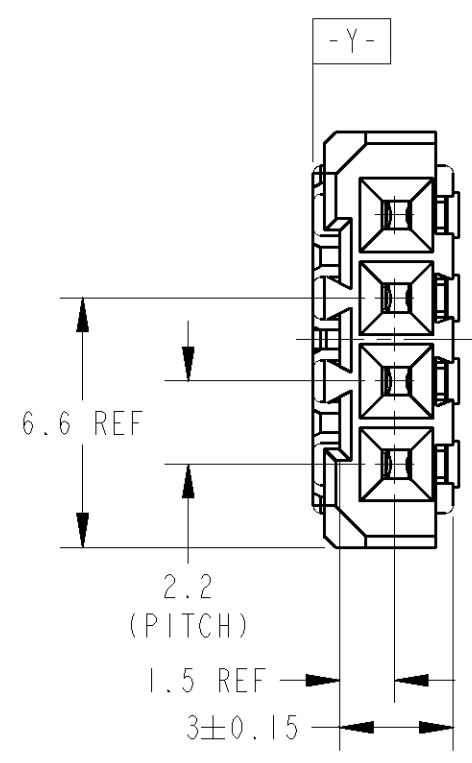
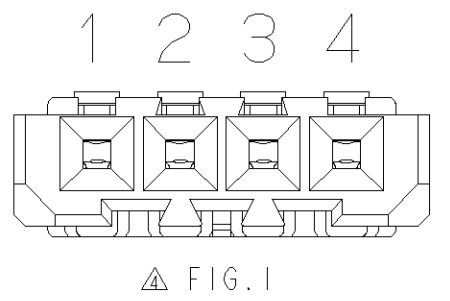
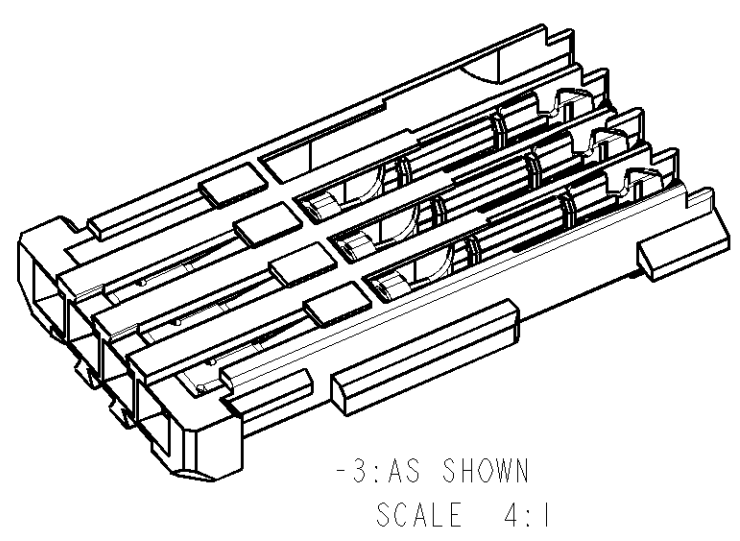
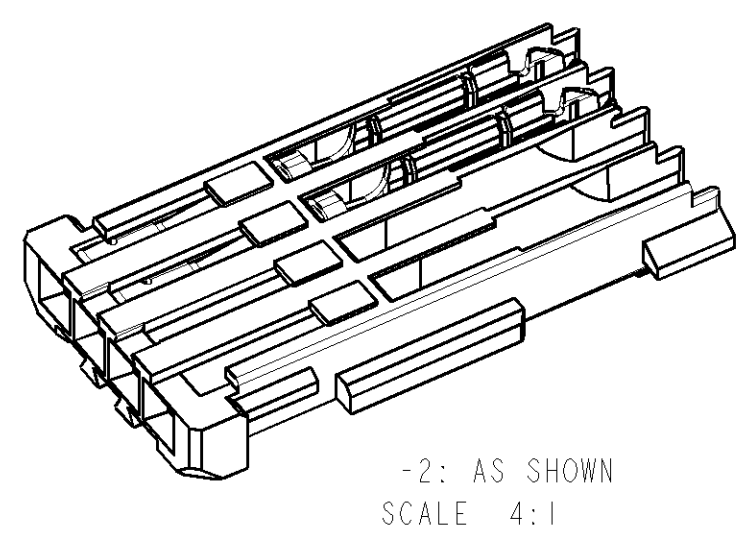


THIS DRAWING IS UNPUBLISHED. RELEASED FOR PUBLICATION 20
 © COPYRIGHT 20 ALL RIGHTS RESERVED.

LOC	DIST	REVISIONS						
		P	LTR	DESCRIPTION	ECN	DATE	DWN	APVD
J	-	O		RELEASED	FJA0-0457-03	25AUG03	TS	KB
		A		REVISED	ECR-06-011679	12MAY06	KF	HY
		AI		REVISED	ECR-12-000570	11JAN12	TS	KB



- 取扱説明書: 411-5912
 - 本品はロックハウジング型番 1473801 を装着して使用する。
 - 嵌合相手型番: 1473790
 - 回路番号: FIG. 1 参照
- INSTRUCTION SHEET: 411-5912
 - PLUG HOUSING MUST BE USED WITH LOCK HOUSING PN 1473801
 - PART NUMBER OF HOUSING TO BE MATED: 1473790
 - CIRCUIT NUMBER: SEE FIG. 1



NO	欠番	△	COLOR	PART NUMBER
1			NATURAL 自然色	1717248-3
3-4			NATURAL 自然色	1717248-2
—//—			NATURAL 自然色	1717248-1

THIS DRAWING IS A CONTROLLED DOCUMENT.

DIMENSIONS: 単位: 稀 mm	TOLERANCES UNLESS OTHERWISE SPECIFIED: 公差: ±0.3	DWN T. SHINOHARA 21MAY03	TE Connectivity
0-PLC ±	1-PLC ±0.1	CHK S. AMEMIYA 21MAY03	NAME H. YAMAGAMI
2-PLC ±0.01	3-PLC ±0.001	APVD H. YAMAGAMI 21MAY03	PRODUCT SPEC 108-5660
4-PLC ±0.0001	ANGLES ±3°00'	APPLICATION SPEC 114-5276	SIZE A2
MATERIAL HSG: PBT CONT: Cu Alloy	FINISH HSG: SEE TABLE CONT: POST TIN	WEIGHT 1.34	DRAWING NO C-1717248
CUSTOMER DRAWING		SCALE 5:1	RESTRICTED TO -

单击下面可查看定价，库存，交付和生命周期等信息

[>>TE Connectivity\(泰科\)](#)