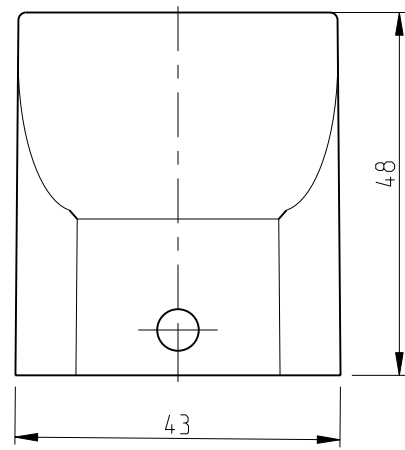
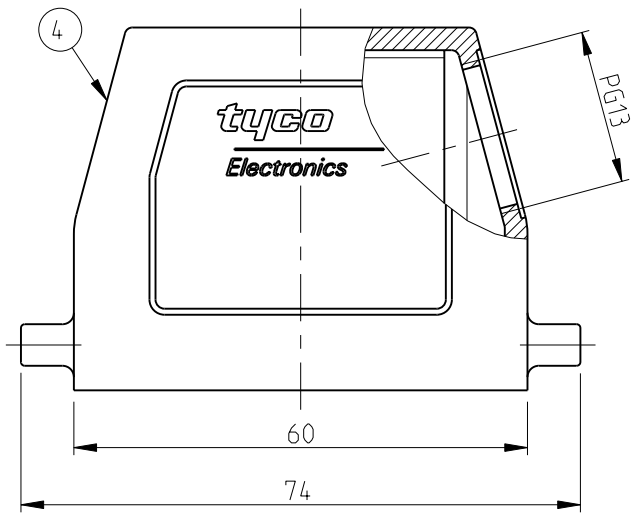


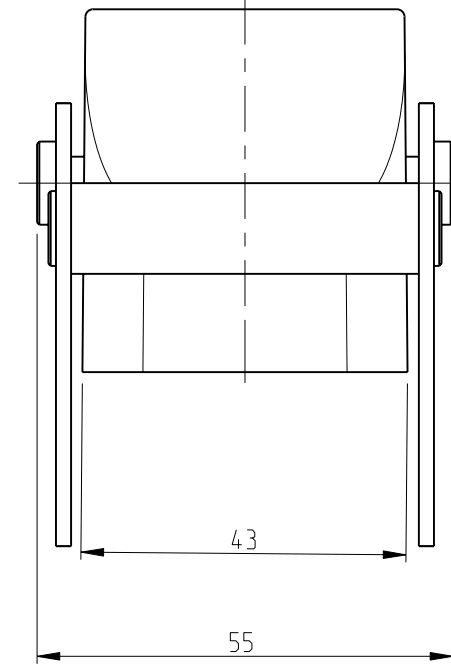
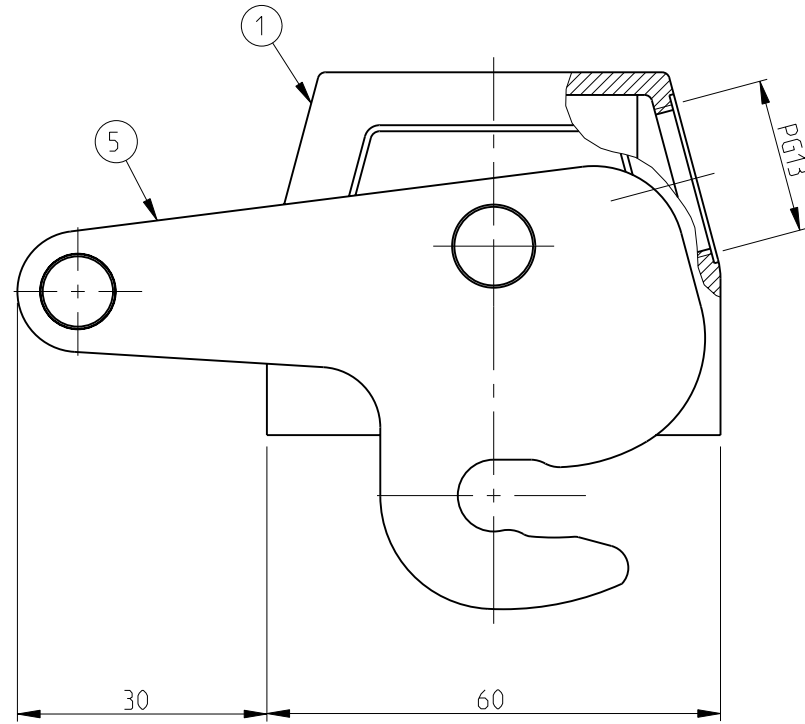
THIS DRAWING IS UNPUBLISHED. RELEASED FOR PUBLICATION 1997
 © COPYRIGHT 1997 BY TYCO ELECTRONICS CORPORATION. ALL RIGHTS RESERVED.

REVISIONS					
P	LTR	DESCRIPTION	DATE	DWN	APVD
A4		ECR-10-014419	08JUL2010	SR	AR

PN 0-4



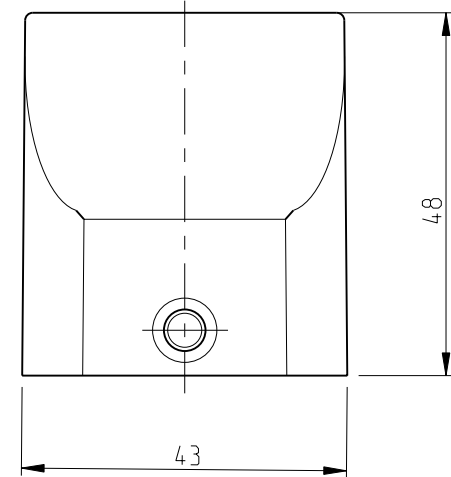
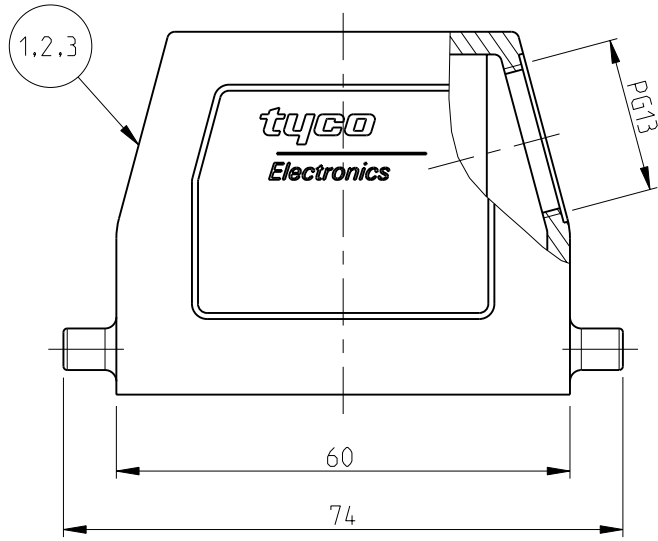
PN 0-6



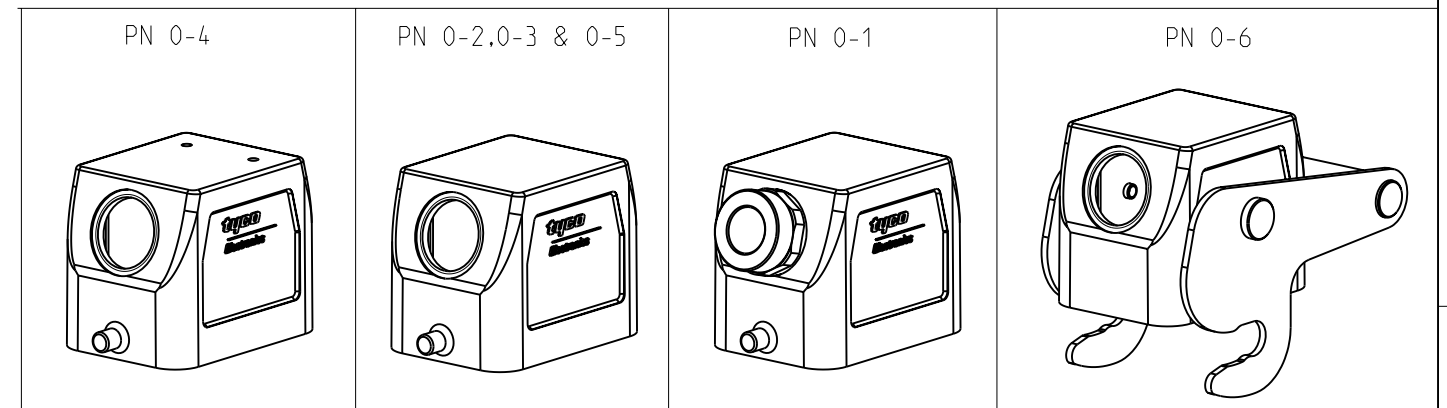
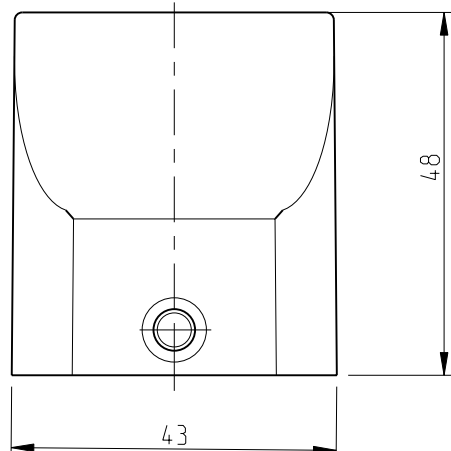
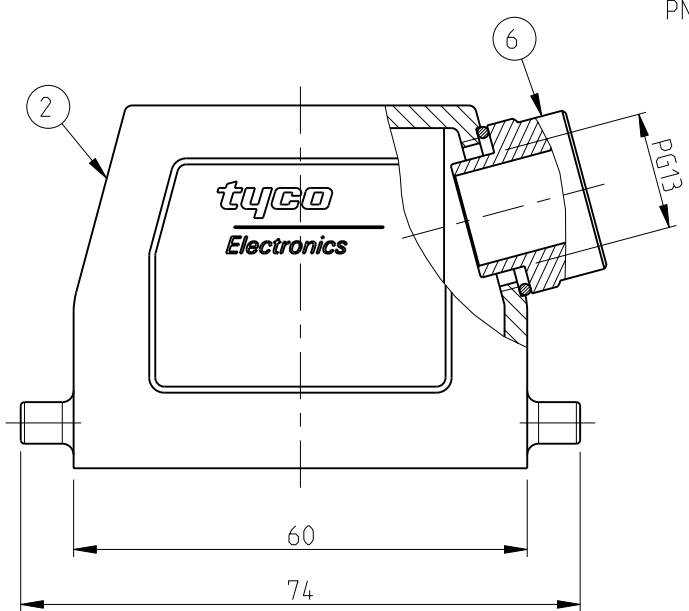
Notes

- 1 Material: Housing: Aluminium diecasting alloy
- 2 Surface:- Varnish-grey
-Aluminium oxide+
Varnish black
- 3 Varnish on the inside not necessary
- 4 Packaging
Packaging quantity: 5 pieces in a box

PN 0-2.0-3 & 0-5



PN 0-1



OBSOLETE											
QTY	DESCRIPTION	MATERIAL	SURFACE	COLOR	ITEM NO	NOTES					
1	O-Ring PG13	Perbunan		Black	9						
1	Adapter	Brass	Nickel plated	Blue	8						
2	Clip positioner-ZBI	Steel	Zinc plated	Blue	7						
1	ZB-Side clip	Steel	Zinc plated	Blue	6						
1	Hood HB6	Aluminium		Grey	5						
1	Hood HB6	Aluminium	HC	ALU-Colored	4						
1	Hood HB6	Aluminium	HC	Black	3						
1	Hood HB6	Aluminium		Grey	2						
1	Hood HB6	Aluminium		Grey	1						
0-6	0-1	0-2	0-5	0-4	0-3	DESCRIPTION	MATERIAL	SURFACE	COLOR	ITEM NO	NOTES
						HB-6.STS.1.13G					
						HB-6.STS.1.13.G+2.M3					
						HB-K.6.STS.1.13.G					
						HB-K.6.STS.1.13.G-S0					
						HB-K.6.STS.1.13.Z					
						HB-Z.6.STS-ZB.1.13.G					

THIS DRAWING IS A CONTROLLED DOCUMENT FOR TYCO ELECTRONICS CORPORATION. IT IS SUBJECT TO CHANGE AND THE CONTROLLING ENGINEERING ORGANIZATION SHOULD BE CONTACTED FOR THE LATEST REVISION.		DWN Schneider 29.11.2002	Tyco Electronics AMP GmbH 53757 Sankt Augustin Germany
DIMENSIONS: mm		CHK Schweiger 29.11.2002	
TOLERANCES UNLESS OTHERWISE SPECIFIED: h130 B07E m150 2768-M1E h14UN 16901-120		APVD	NAME HOOD HB.6.STS.1.13.G.and Z
		PRODUCT SPEC 108/74001/74003	SIZE A2
MATERIAL		APPLICATION SPEC 114-74001/74004/74005	CAGE CODE 00779
FINISH		WEIGHT	DRAWING NO C=1108573
CUSTOMER DRAWING		SCALE 1:1	RESTRICTED TO
		SHEET 1 OF 1	REV A4

单击下面可查看定价，库存，交付和生命周期等信息

[>>TE Connectivity\(泰科\)](#)