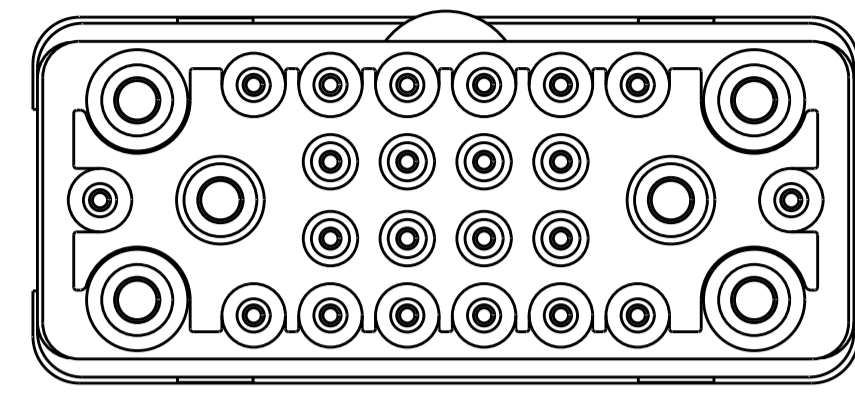
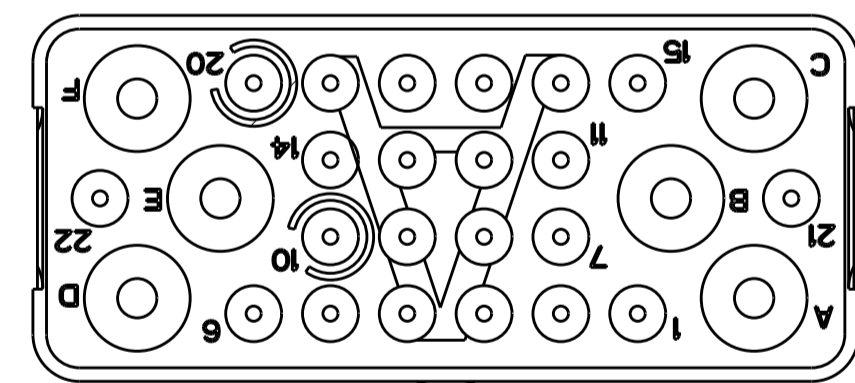
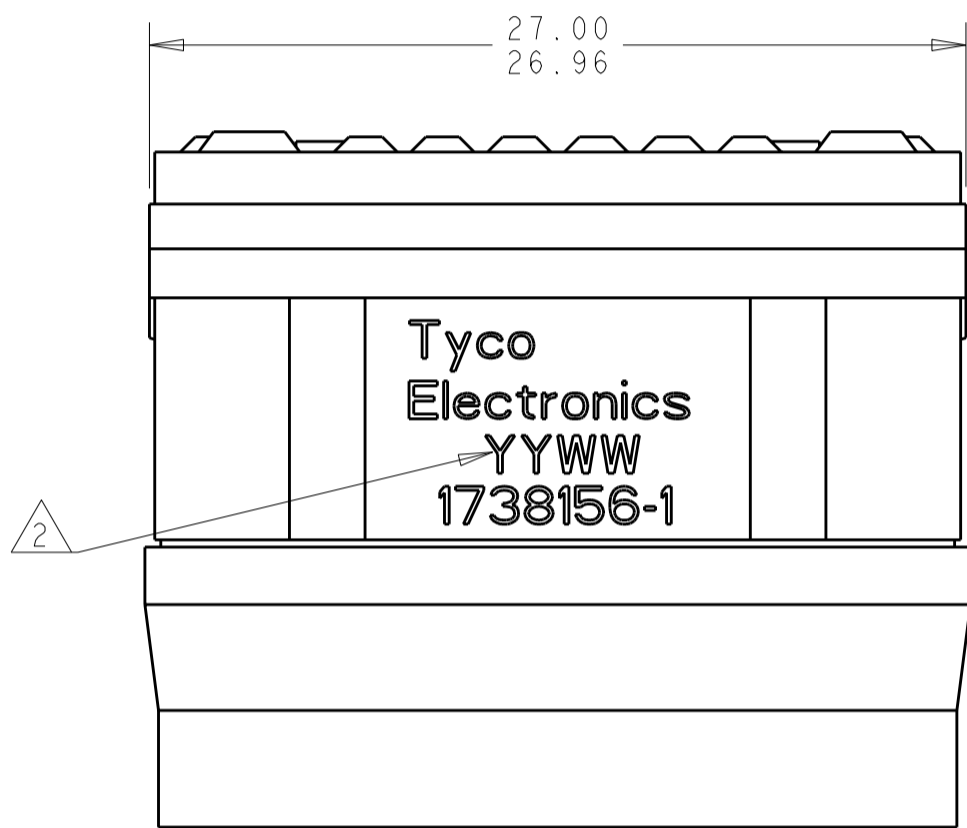
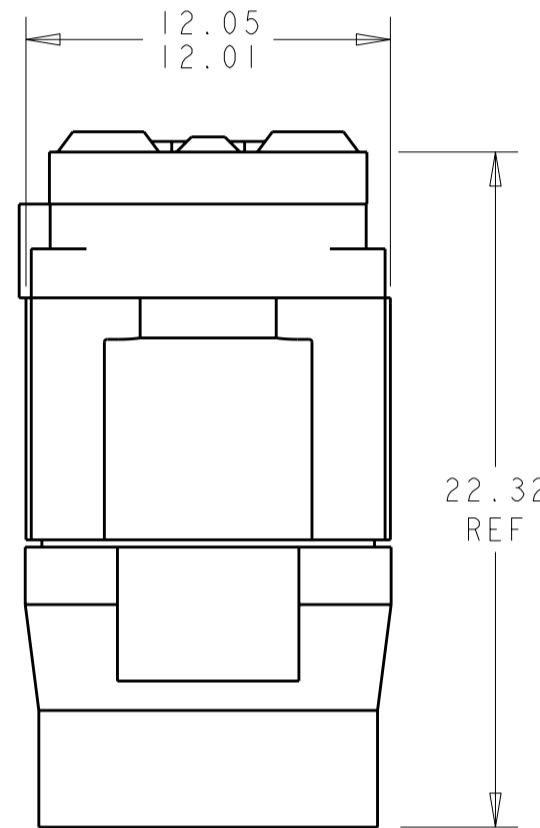


THIS DRAWING IS UNPUBLISHED. RELEASED FOR PUBLICATION 2009
 © COPYRIGHT 2009 BY TYCO ELECTRONICS CORPORATION. ALL INTERNATIONAL RIGHTS RESERVED.

LOC		DIST		REVISIONS			
P	LTR	DESCRIPTION	DATE	DWN	APVD		
	1	REDRAWN IN PRO/E	04MAY2010	RF	JM		



MATING FACE



1 FRONT & REAR INSULATOR: HIGH-TEMP THERMOPLASTIC OR THERMOSET EPOXY PER ASTM D5948.
 CONTACT RETENTION CLIPS: STAINLESS STEEL PER AISI 302 OR COPPER ALLOY PER ASTM B194
 REAR GROMMET & INTERFACIAL SEAL: FLUROSILICONE ELASTOMER PER MIL-R-25988 B, EXCEPT 4.6.6.1

2 DATE CODE: YEAR & WEEK (YY WW)

3. DESCRIPTIVE PART NUMBER: GPRBE28PA
 THIS INSERT CONTAINS:
 22 CAVITIES FOR SIZE 22 PIN CONTACTS
 6 CAVITIES FOR SIZE 15 OR 16 PIN CONTACTS.

THIS PRINT IS
PRELIMINARY
 UNQUALIFIED PRODUCT
 CONTACT PRODUCT ENGINEERING
 BEFORE USING THIS PRINT

1738156-1
 PART NUMBER

<small>THIS DRAWING IS A CONTROLLED DOCUMENT FOR TYCO ELECTRONICS CORPORATION IT IS SUBJECT TO CHANGE AND THE CONTROLLING ENGINEERING ORGANIZATION SHOULD BE CONTACTED FOR THE LATEST REVISION.</small>		DWN	BH	04MAY10	Tyco Electronics Harrisburg, PA 17105-3608
DIMENSIONS: mm		CHK	JPM	04MAY10	
		APVD	JPM	04MAY10	
TOLERANCES UNLESS OTHERWISE SPECIFIED: 0 PLC ±0.1 1 PLC ±0.1 2 PLC ±0.05 3 PLC ± 4 PLC ± ANGLES ± FINISH		PRODUCT SPEC	NAME INSERT ASSEMBLY, PIN, ENVIRONMENTAL, ARRANGEMENT 28, KEY A, GPRB		
MATERIAL	1	APPLICATION SPEC	SIZE CAGE CODE DRAWING NO RESTRICTED TO A200779 C-1738156 -		
MATERIAL 1		WEIGHT	SCALE 6:1 SHEET OF REV		
CUSTOMER DRAWING		SHEET OF REV			

单击下面可查看定价，库存，交付和生命周期等信息

[>>TE Connectivity\(泰科\)](#)