

THIS DRAWING IS UNPUBLISHED. RELEASED FOR PUBLICATION
 © COPYRIGHT - By - ALL RIGHTS RESERVED.

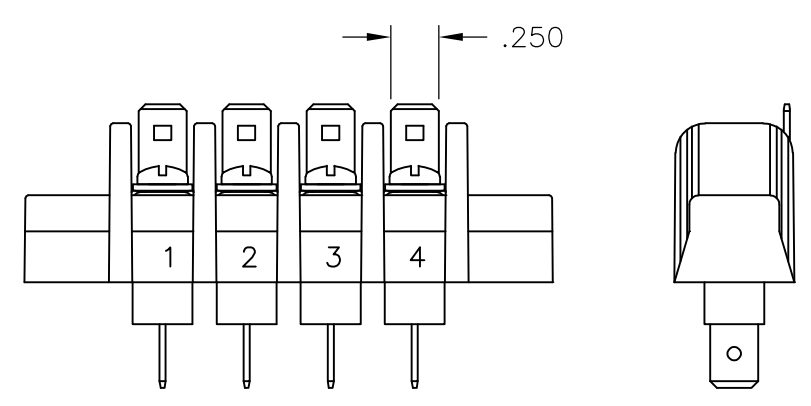
LOC	DIST	REVISIONS					
FT	0	P	LTR	DESCRIPTION	DATE	DWN	APVD
				C	REVISED PER ECO-11-023039	21FEB12	KH MS

MATERIAL:
 HOUSING: THERMOPLASTIC, UL94V-2, BLACK.
 TERMINALS: BRASS, BRIGHT TIN PLATE.
 SCREWS: 6-32, STEEL, PLATED .0002 MIN ZINC W/
 CLEAR CHROMATE COATING. UNLESS OTHERWISE
 SPECIFIED.

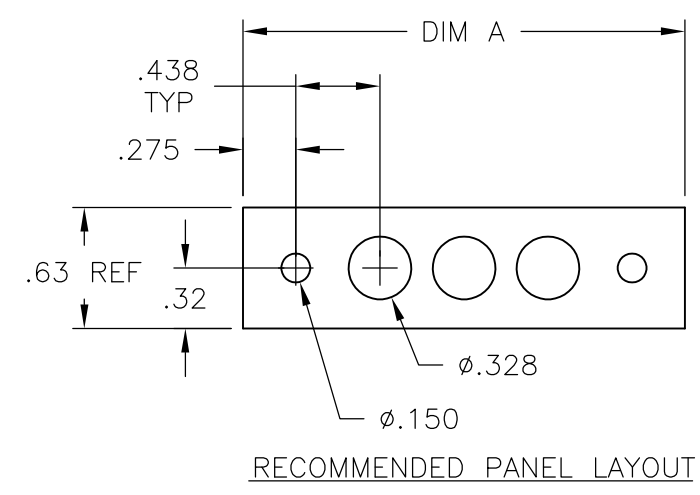
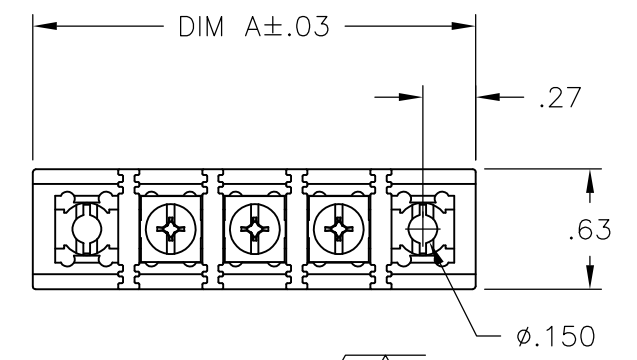
ELECTRICAL:
 MAXIMUM CURRENT: 20A.
 OPERATING VOLTAGE: 600V.
 WIRE RANGE: 12-22 AWG.

ENVIRONMENTAL:
 OPERATING TEMP.: -60°C TO +105°C

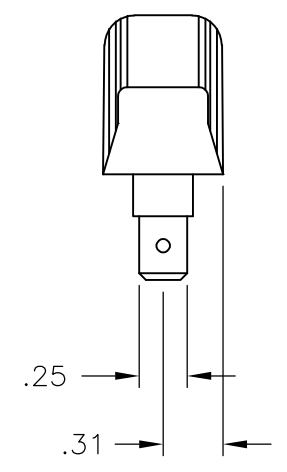
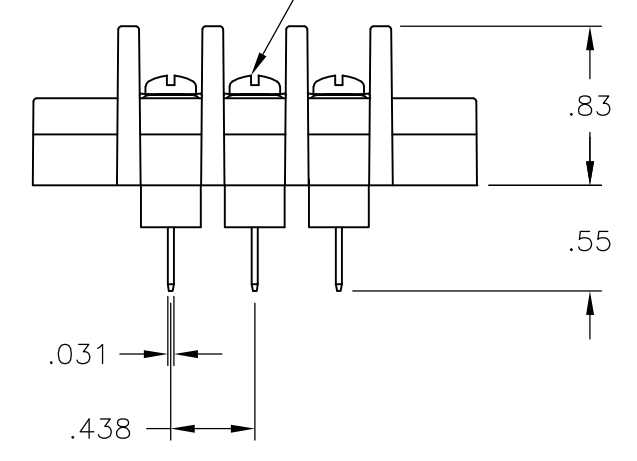
- 1 SCREWS ARE STAINLESS STEEL.
- 2 PRELIMINARY PART NUMBER.
- 3 SCREWS: NICKEL PLATED BRASS BINDING HEAD.
- 4 OBSOLETE PARTS: OBSOLETE CIS STREAMLINING PER D.RENAUD/D.SINISI
- 5 ALL SCREWS BOTTOMED, TORQUE 2 TO 4 IN-LBS



2-1546977-6



RECOMMENDED PANEL LAYOUT



4	OBSOLETE	9.750	20	SSB7TF200501	9-1437416-1
		9.750	20	SSB7TG200501	2-1546977-0
1		9.312	19	SSB7TG190503	3-1546561-6
		9.312	19	SSB7TG190501	1437417-3
1		8.875	18	SSB7TG180503	3-1546561-5
		8.875	18	SSB7TG180501	1-1546977-8
		8.437	17	SSB7TG170501	1-1546977-7
		8.000	16	SSB7TG160501	1-1546977-6
		7.562	15	SSB7TG150501	1-1546977-5
		7.125	14	SSB7TF140501	9-1437416-0
		7.125	14	SSB7TG140501	1-1546977-4
		6.687	13	SSB7TG130501	1-1546977-3
		6.250	12	SSB7TG120501	1-1546977-2
		5.812	11	SSB7TG110501	1-1546977-1
		5.375	10	SSB7TG100501	1437417-1
		4.937	9	SSB7TG090501	1546977-9
		4.500	8	SSB7TG080501	1546977-8
		4.062	7	SSB7TG070501	1546977-7
4	OBSOLETE	3.625	6	SSB7TF060501	8-1437416-6
		3.625	6	SSB7TG060501	1546977-6
4	OBSOLETE	3.187	5	SSB7TF050501	1-1546561-4
		3.187	5	SSB7TG050501	1546977-5
	OBSOLETE	2.750	4	SSB7TF040501	2-1546977-7
2		2.750	4	SSB7TF042511	2-1546977-6
		2.750	4	SSB7TG040501	1546977-4
		2.312	3	SSB7TG030501	1546977-3
1		1.875	2	SSB7TG020503	9-1437416-3
		1.875	2	SSB7TG020501	1546561-8
		1.437	1	SSB7TG010501	5-1437417-6
		DIM A	NO. OF POS.	CATALOG NUMBER	PART NUMBER

THIS DRAWING IS A CONTROLLED DOCUMENT.		DWN S SCHL GEL 6/3/04	STE TE Connectivity		
DIMENSIONS: INCHES		CHK S YODER 6/3/04			
TOLERANCES UNLESS OTHERWISE SPECIFIED:		APVD S YODER 6/3/04	NAME		
0 PLC ± -		PRODUCT SPEC	SSB7TGXX0501		
1 PLC ± -		APPLICATION SPEC	RESTRICTED TO		
2 PLC ± .02		WEIGHT -	SIZE A3	CAGE CODE C	DRAWING NO C-8-1437416-8
3 PLC ± .010		MATERIAL -	CUSTOMER DRAWING		SCALE NTS
4 PLC ± -			SHEET 1 OF 2		REV C
ANGLES ± 1°					
FINISH -					

4

3

2

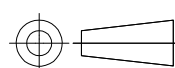
1

THIS DRAWING IS UNPUBLISHED. RELEASED FOR PUBLICATION - , - .

© COPYRIGHT - By - ALL RIGHTS RESERVED.

LOC	DIST	REVISIONS					
FT	0	P	LTR	DESCRIPTION	DATE	DWN	APVD
		-		SEE SHEET 1	-	-	-

11.937	25	SSB7TG250501	2-1546977-5
11.500	24	SSB7TG240501	2-1546977-4
11.062	23	SSB7TG230501	2-1546977-3
$\triangle 2 \triangle 3$ 10.625	22	SSB7TG220504	2-1546977-8
10.625	22	SSB7TG220501	2-1546977-2
10.187	21	SSB7TG210501	2-1546977-1
DIM A	NO. OF POS.	CATALOG NUMBER	PART NUMBER

THIS DRAWING IS A CONTROLLED DOCUMENT.		DWN	S SCHL GEL	6/3/04	STE TE Connectivity			
DIMENSIONS: INCHES		CHK	S YODER	6/3/04				
TOLERANCES UNLESS OTHERWISE SPECIFIED:		APVD	S YODER	6/3/04	NAME			
		PRODUCT SPEC		SSB7TGXX0501				
0 PLC ± - 1 PLC ± - 2 PLC ± .02 3 PLC ± .010 4 PLC ± - ANGLES ± 1°		APPLICATION SPEC		RESTRICTED TO				
MATERIAL	FINISH	WEIGHT	-		SIZE	CAGE CODE	DRAWING NO	RESTRICTED TO
-	-	-	-		A3	00779	C-8-1437416-6	-
CUSTOMER DRAWING					SCALE	NTS	SHEET	2 OF 2
					REV	C		

单击下面可查看定价，库存，交付和生命周期等信息

[>>TE Connectivity\(泰科\)](#)