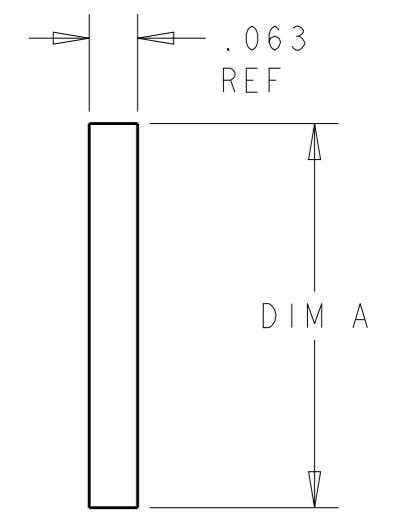
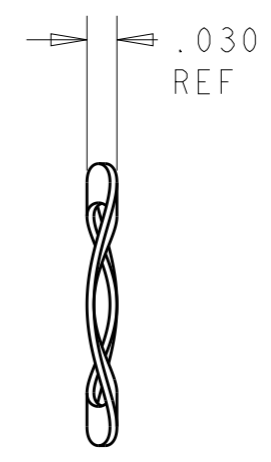
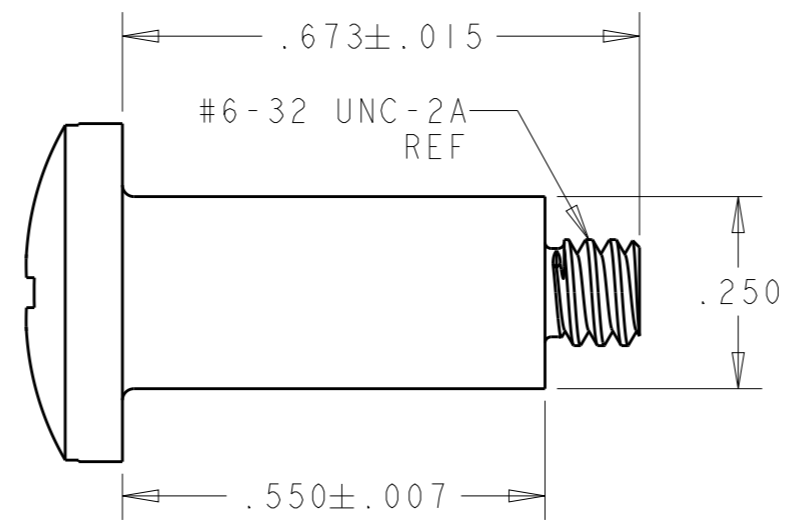
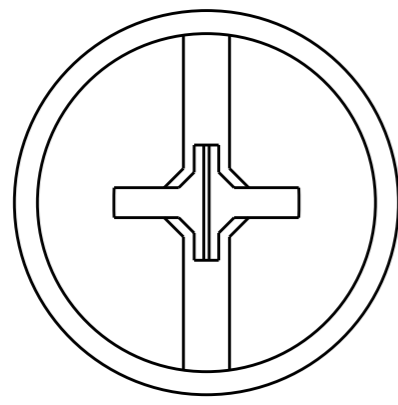
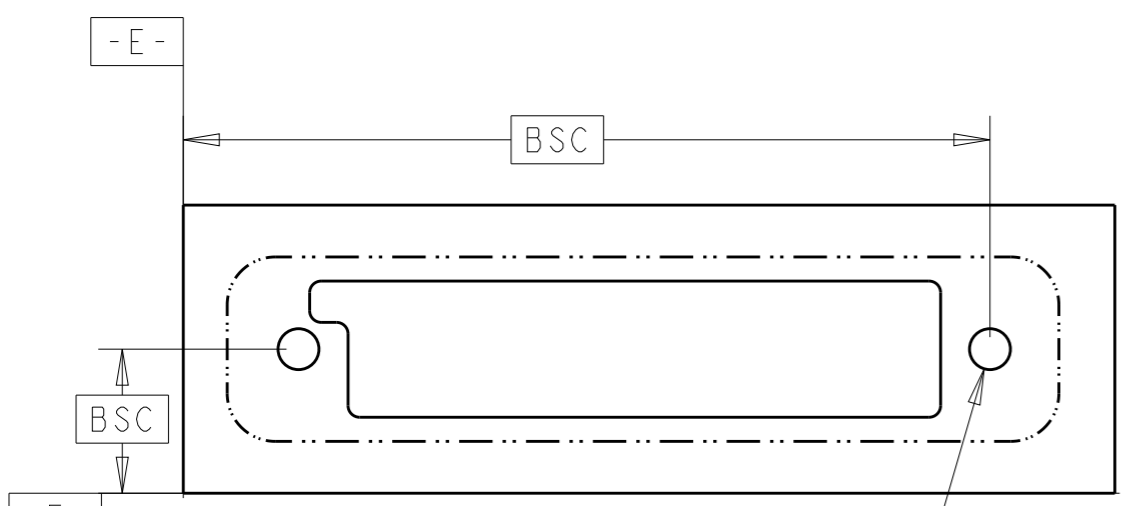


THIS DRAWING IS UNPUBLISHED. RELEASED FOR PUBLICATION 20
 © COPYRIGHT 20 BY - ALL RIGHTS RESERVED.

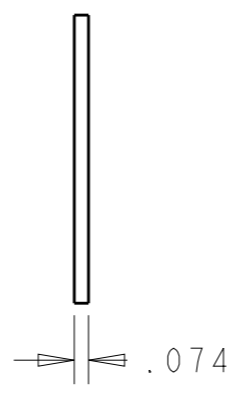
REVISIONS					
P	LTR	DESCRIPTION	DATE	DWN	APVD
	9	ADD NEW DASH NUMBERS	25MAY2014	CZ	SZ



- ① ONE(1) KIT CONSISTS OF TWO(2) EACH OF EACH PART SHOWN.
- ② BULK PACKAGED.KITS TO BE ORDERED IN MULTIPLES OF 100.
- ③ SHOULDER SCREW: STAINLESS STEEL 303
WAVE SPRING WASHER: SPRING STEEL S50C
FLAT WASHER: STAINLESS STEEL 303
- ④ RECOMMEND TO USE PEMCERT SELF-CLINCHING FLUSH NUTS,
PEM PART NUMBER:F-632-1



Ø .213^{+0.003}/_{-.000}
 ⊕ .004[Ⓢ] E F
 2PLC



DESCRIPTION	DIM A	PART NUMBER
BULK	.405	1600000-4
KIT	.405	1600000-3
BULK ②	.500	1600000-2
KIT ①	.500	1600000-1

IF USE PEMCERT SELF-CLINCHING FLUSH NUT,
 PLEASE REFER TO THIS PANEL MOUNTING HOLE
 DIMENSIONS.OTHER DIMENSIONS PLEASE REFER TO
 C-DRAWING OF DETAIL PART.

THIS DRAWING IS A CONTROLLED DOCUMENT.		DWN HESPER LIU 2SEP2008	TE Connectivity	
		CHK SUNY ZHAO 2SEP2008		
DIMENSIONS: INCHES 		TOLERANCES UNLESS OTHERWISE SPECIFIED: 0 PLC ±.1 1 PLC ±0.1 2 PLC ±0.02 3 PLC ±0.005 4 PLC ±0.0005 ANGLES ±.		NAME HARDWARE KIT PANEL MOUNT MULTI-BEAM
MATERIAL ③		FINISH -		SIZE A3 CAGE CODE - DRAWING NO C-1600000 RESTRICTED TO -
		CUSTOMER DRAWING		SCALE 1:1 SHEET 1 OF 1 REV 9

单击下面可查看定价，库存，交付和生命周期等信息

[>>TE Connectivity\(泰科\)](#)