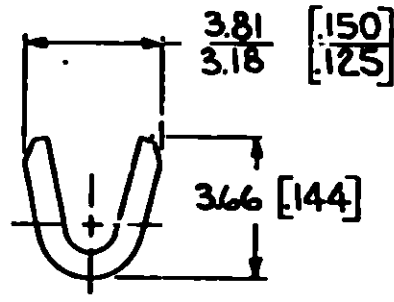
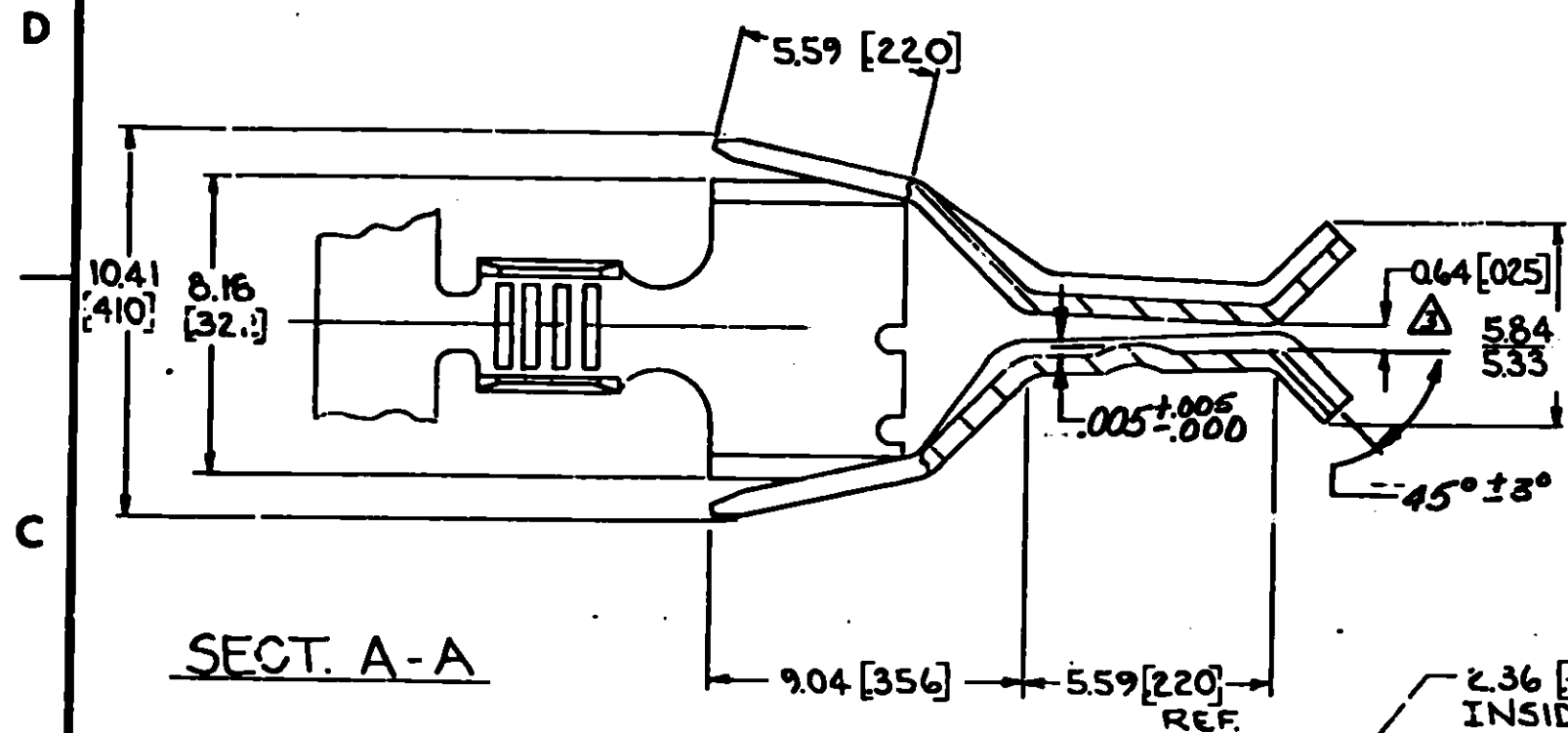


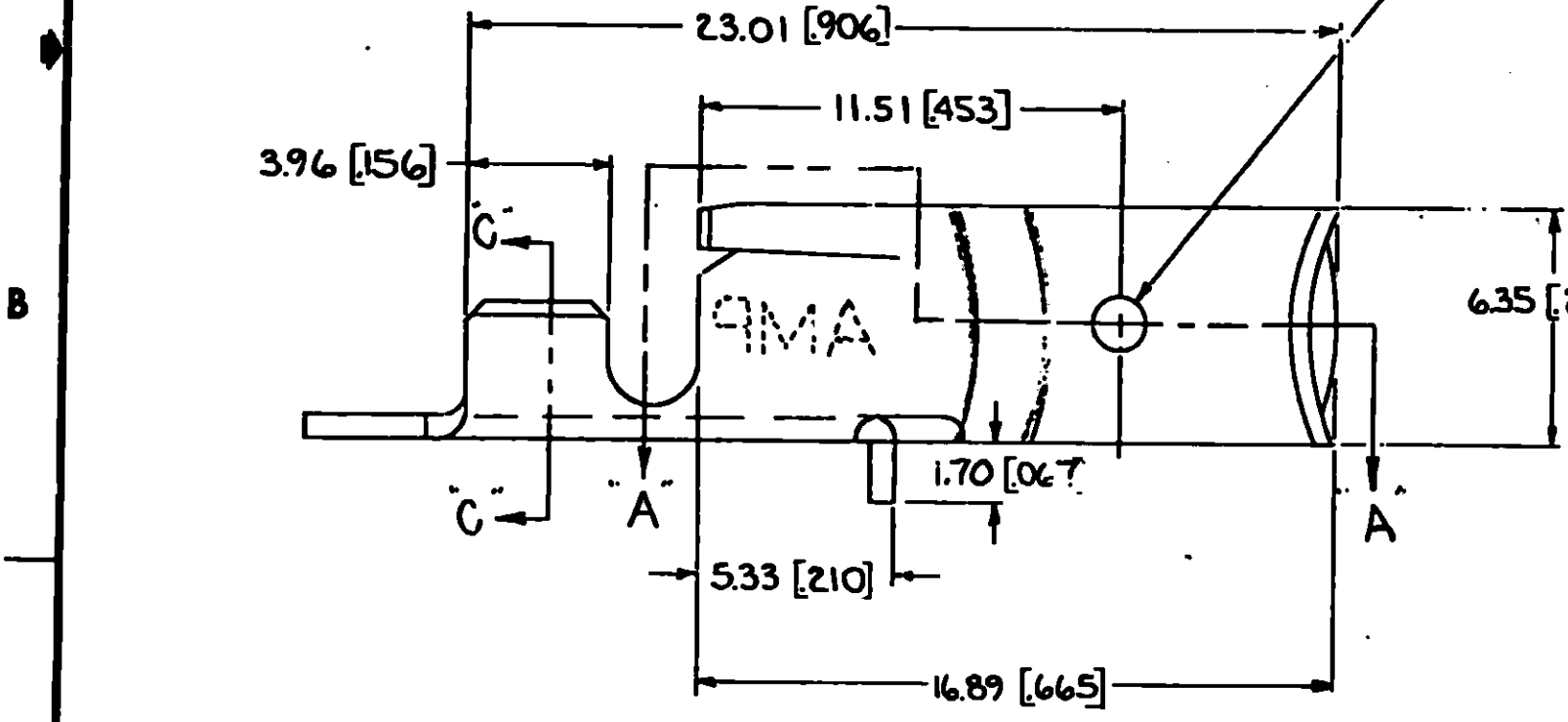
© COPYRIGHT 1980 BY AMP INCORPORATED, HARRISBURG, PA.
ALL INTERNATIONAL RIGHTS RESERVED. AMP INCORPORATED PRODUCTS
COVERED BY U. S. AND FOREIGN PATENTS AND/OR PATENTS PENDING.

REVISIONS					
REV	DATE	ZONE	LTR	DESCRIPTION	APPROVED
✓	2/1/80		A	RELEASED & REVISED PER A-4907	6/1/80
✓	12/9/79		B	REVISED PER AF-6732	2/5/80
✓	7/15/79		C	REV PER AF-7236	PMF
✓	7/24/79		D	REV PER AF-7675	PMF

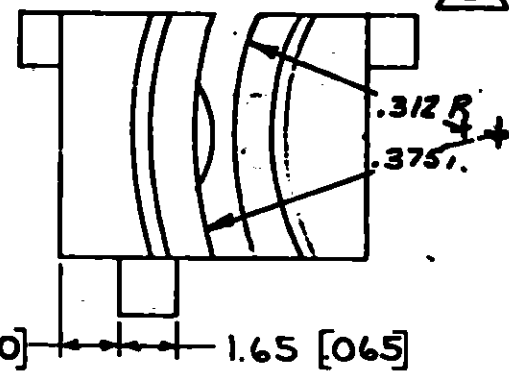


SECT. A-A

SECT. C-C



NOTE:
1. DIMS. IN BRACKETS ARE IN INCHES.
2. CONTINUOUS STRIP ON REELS.
3. DIMENSION NOT TO EXCEED 1.01 [040] AFTER 6 INSERTIONS OF A MATING BLADE.



METRIC

UNLESS OTHERWISE SPECIFIED DIMENSIONS ARE IN MILLIMETERS TOLERANCES ON: DECIMALS ± 0.25 [010] ANGLES 2°	CONTRACT NO
	DR <i>R.L. Smyers 6-16-80</i>
	CHK <i>G. V. Stiles 6-17-80</i>
	APPD <i>[Signature] 6-17-80</i>
MATERIAL 0.64 [025] THK. PHOS. BRZ.	APPD <i>C. R. [Signature] 6-17-80</i>
FINISH TIN	DSGN APPD
	OTHER APPD

0.5 - 1.3mm [20-16]		63035-1
WIRE RANGE		PART NO
AMP AMP INCORPORATED Harrisburg, Pa.		
NAME RECEPTACLE, TWISTLOCK		
SIZE B	CODE IDENT NO 00779	DRAWING NO 63035
SCALE	SHEET	

单击下面可查看定价，库存，交付和生命周期等信息

[>>TE Connectivity\(泰科\)](#)