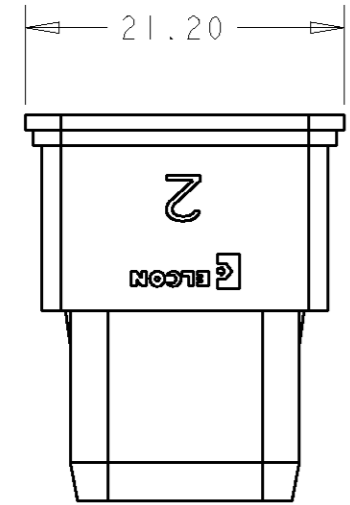


THIS DRAWING IS UNPUBLISHED. RELEASED FOR PUBLICATION 20  
 © COPYRIGHT 20 BY TYCO ELECTRONICS CORPORATION. ALL RIGHTS RESERVED.

LOC	DIST	REVISIONS					
		P	LTR	DESCRIPTION	DATE	DWN	APVD
GP	00		A	NEW RELEASE	07SEP2007	RG	DO

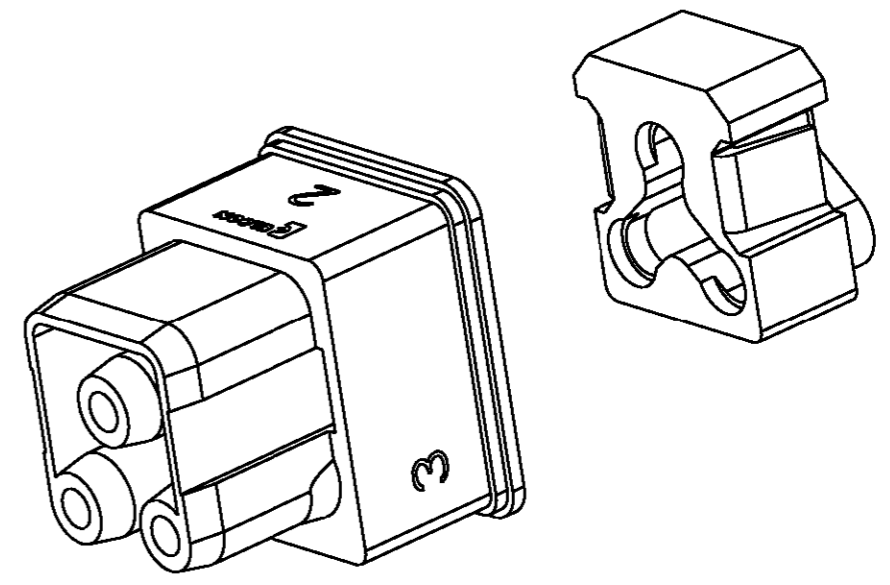
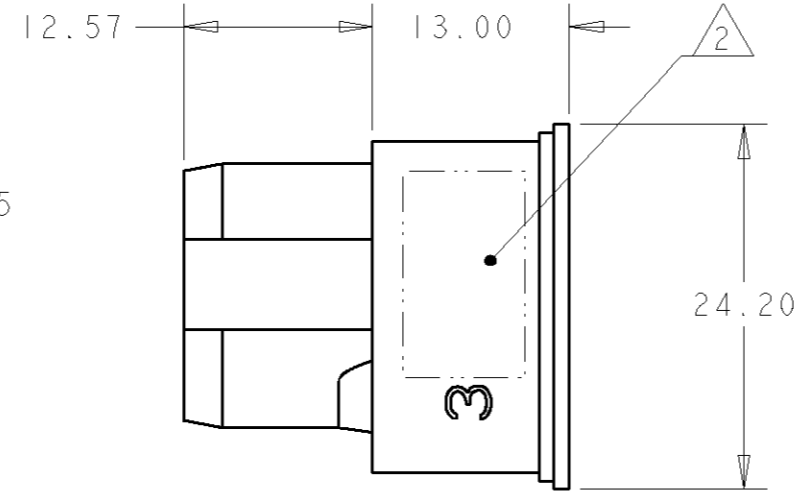
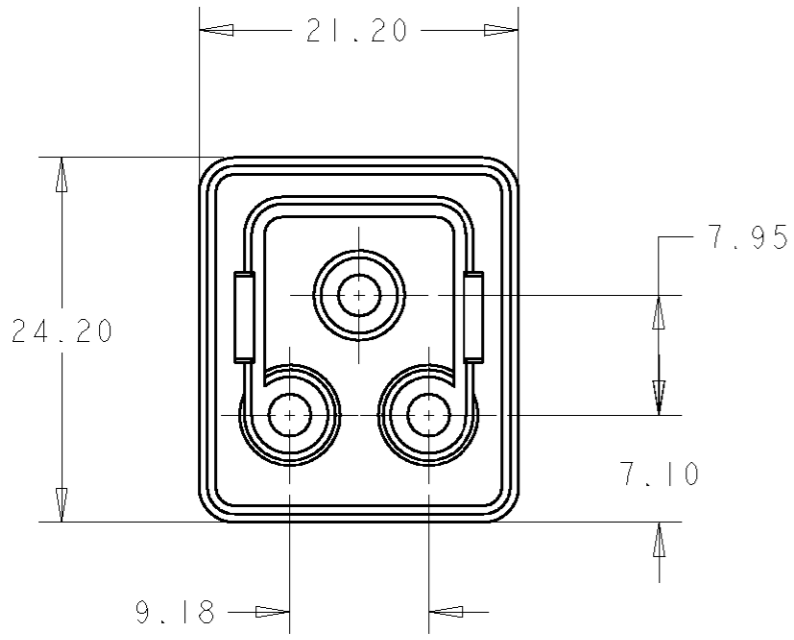


1. PART NUMBER CHANGES AND OR DESIGN CHANGES AFFECTING ITEM INTERCHANGEABILITY REQUIRE PRIOR TYCO ELECTRONICS APPROVAL AND AUTHORIZATION BY REVISION TO THIS DRAWING.

2. ITEMS PROVIDED TO THIS SPECIFICATION TO BE PERMANENTLY IDENTIFIED PER THE FOLLOWING IDENTIFIER:

YEAR    WEEK     
 TYCO ELECTRONICS P/N DATE CODE (e.g. 0325)  
 XXXXXXX-X XXXX

3. MATERIAL:  
 INSULATOR: THERMOPLASTIC, GLASS REINFORCED, COLOR BLACK, UL94V-0, FLAMMABILITY



SCALE 2:1

AS SHOWN	1766448-1
DESCRIPTION	PART NO.

<small>THIS DRAWING IS A CONTROLLED DOCUMENT FOR TYCO ELECTRONICS CORPORATION IT IS SUBJECT TO CHANGE AND THE CONTROLLING ENGINEERING ORGANIZATION SHOULD BE CONTACTED FOR THE LATEST REVISION.</small>		DWN 07SEP2007 R. GRZYBOWSKI CHR 07SEP2007 D. ORRIS APVD 07SEP2007 S. FLICKINGER		<b>Tyco Electronics</b> Tyco Electronics Harrisburg, PA 17105-3608	
DIMENSIONS: mm		TOLERANCES UNLESS OTHERWISE SPECIFIED: 0 PLC ±- 1 PLC ±.5 2 PLC ±.25 3 PLC ±- 4 PLC ±- ANGLES ±-		NAME SOCKET CONNECTOR PANEL DISCONNECT SIZE No. 12 X 3, CRIMP STYLE	
MATERIAL - FINISH -		PRODUCT SPEC - APPLICATION SPEC - WEIGHT -		SIZE A3 CAGE CODE 00779 DRAWING NO C-1766448 RESTRICTED TO -	
CUSTOMER DRAWING				SCALE 2:1 SHEET 1 OF 1 REV A	

单击下面可查看定价，库存，交付和生命周期等信息

[>>TE Connectivity\(泰科\)](#)