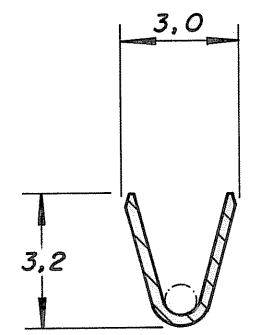
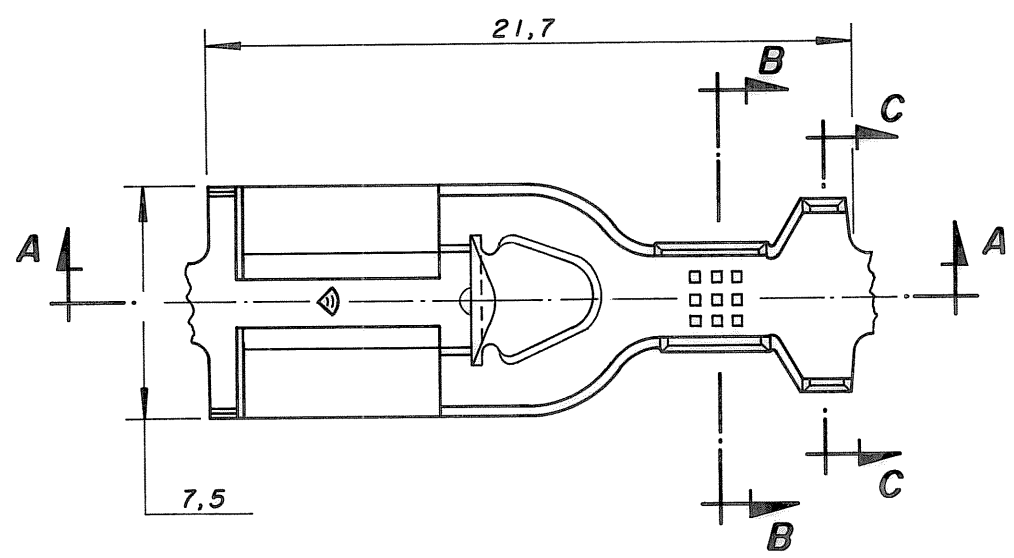
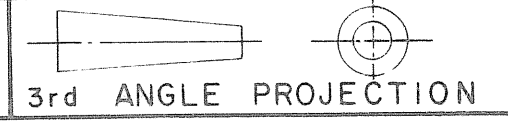


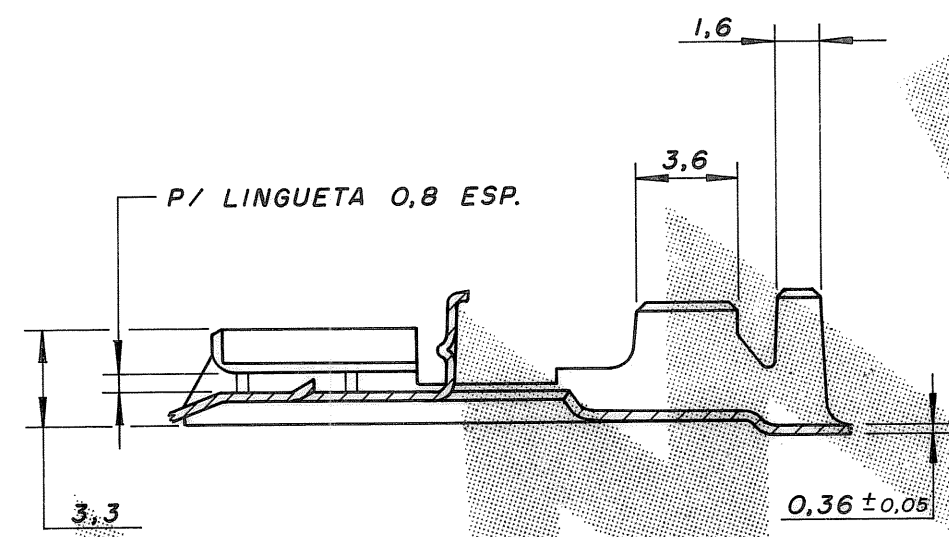
C 626581 1-1

DO NOT SCALE
DIMENSIONS IN mm

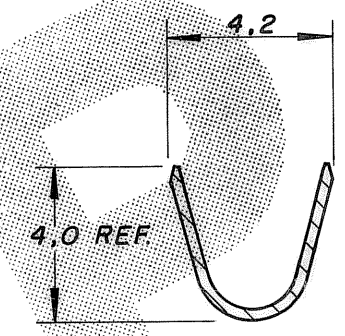
METRIC



SEÇÃO "BB"



SEÇÃO "AA"



SEÇÃO "CC"

—	PRÉ-ESTANHADO	LATÃO	626581-2
—	—	LATÃO	626581-1
OTHER TREATMENT	FINISH	MATERIAL	PART NUMBER
CUSTOMER DWG for REFERENCE ONLY			
THIS DRAWING IS UNPUBLISHED RELEASED FOR PUBLICATION 19 © COPYRIGHT 19 BY AMP DO BRASIL LTDA S.P. ALL INTERNATIONAL RIGHTS RESERVED AMP PRODUCTS MAY BE COVERED BY U.S. AND FOREIGN PATENTS AND/OR PATENTS PENDING.			
TOLERANCES UNLESS OTHERWISE STATED DEC. ± 0,4 ANGLES ± 1°		INS. DIA. RANGE 0 2,1 - 2,9 mm	WIRE RANGE 05 - 1,5 mm ² SCALE
DR. VALTER		do BRASIL LTDA. São Paulo, Brasil	
CHK [Signature] 07/06/85		DESCRIPTION POSITIVE LOCK RECEPT. MK II .250 S.	
C REV. ECO-JD. 009283	HC WLS MAY 10	DWG NO	SHEET
BI ECO-09-026444	KK AEG NOV 09	A3	1 OF 1
B HEDESENHADO C/ MODIF.	V.S. T.V. 02.12.86	C 626581	
ISS REVISION RECORD	DR CHK DATE	APP.	

单击下面可查看定价，库存，交付和生命周期等信息

[>>TE Connectivity\(泰科\)](#)