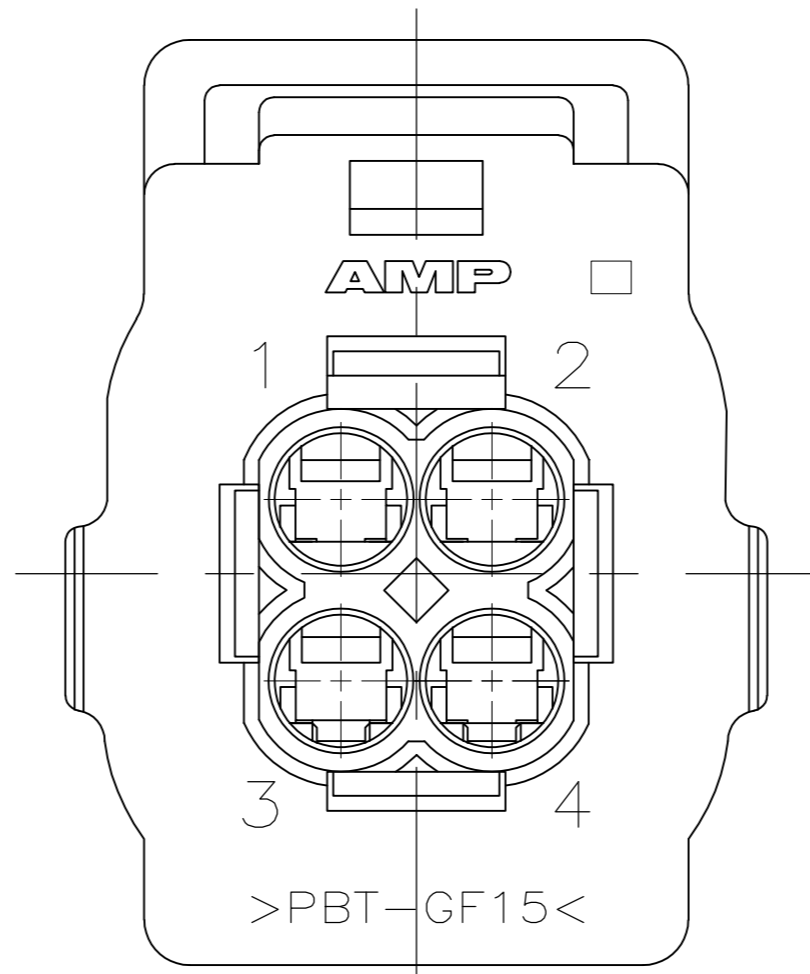
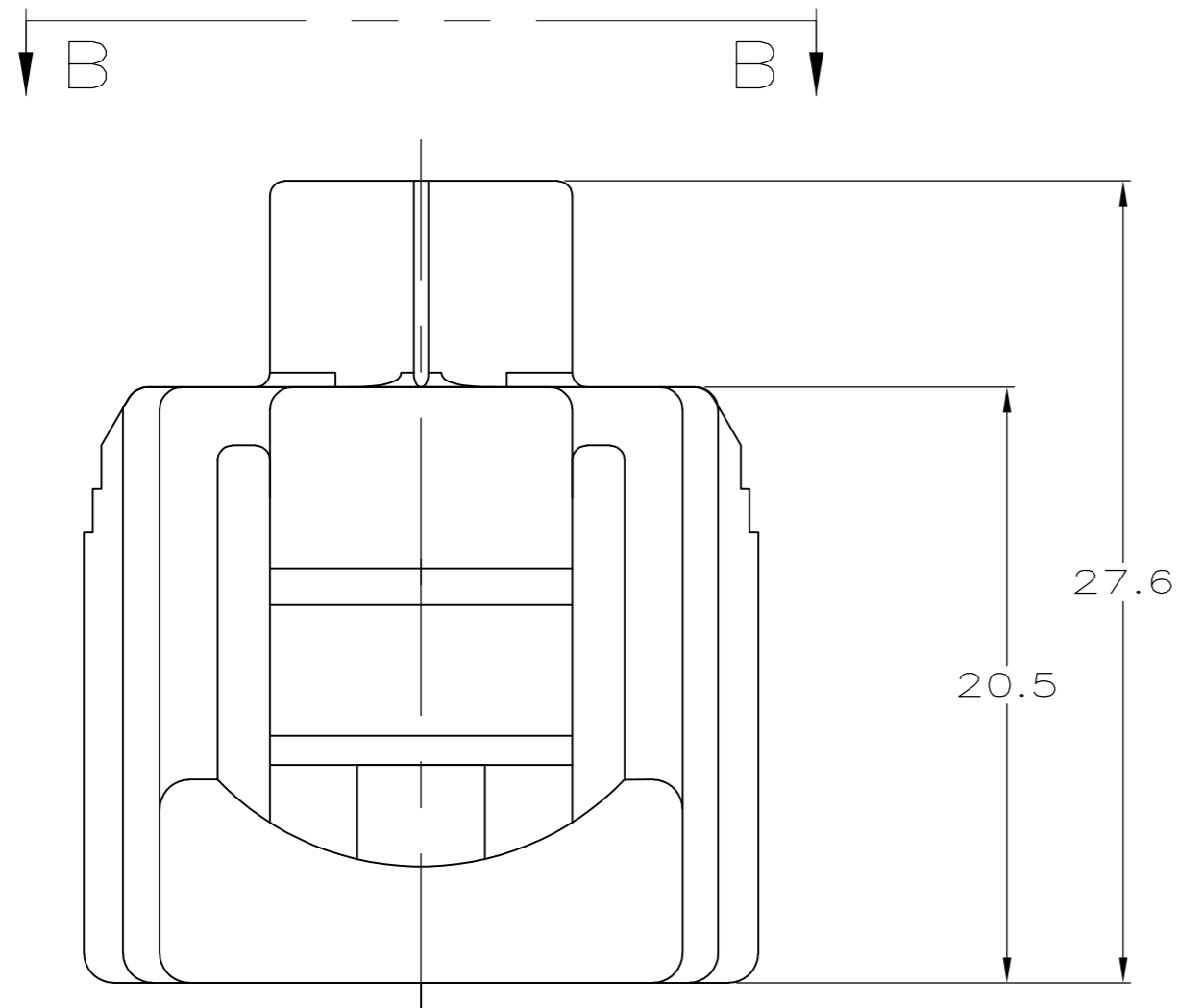
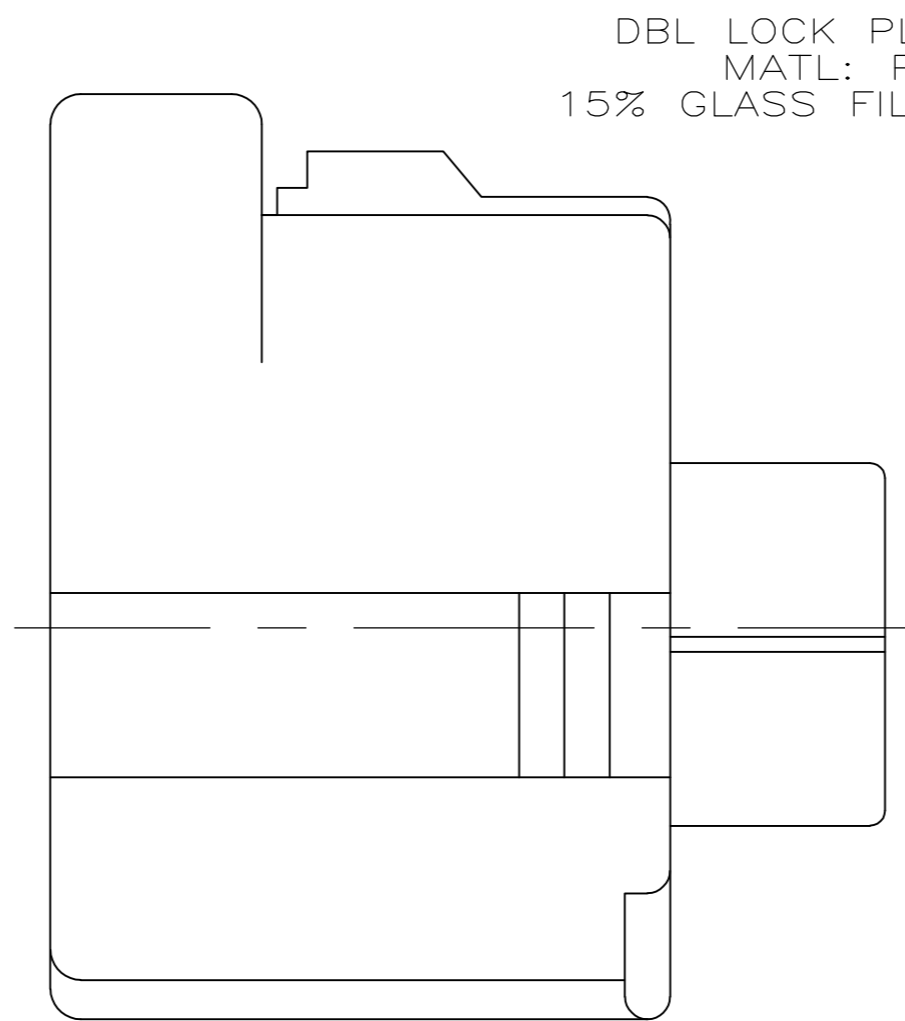
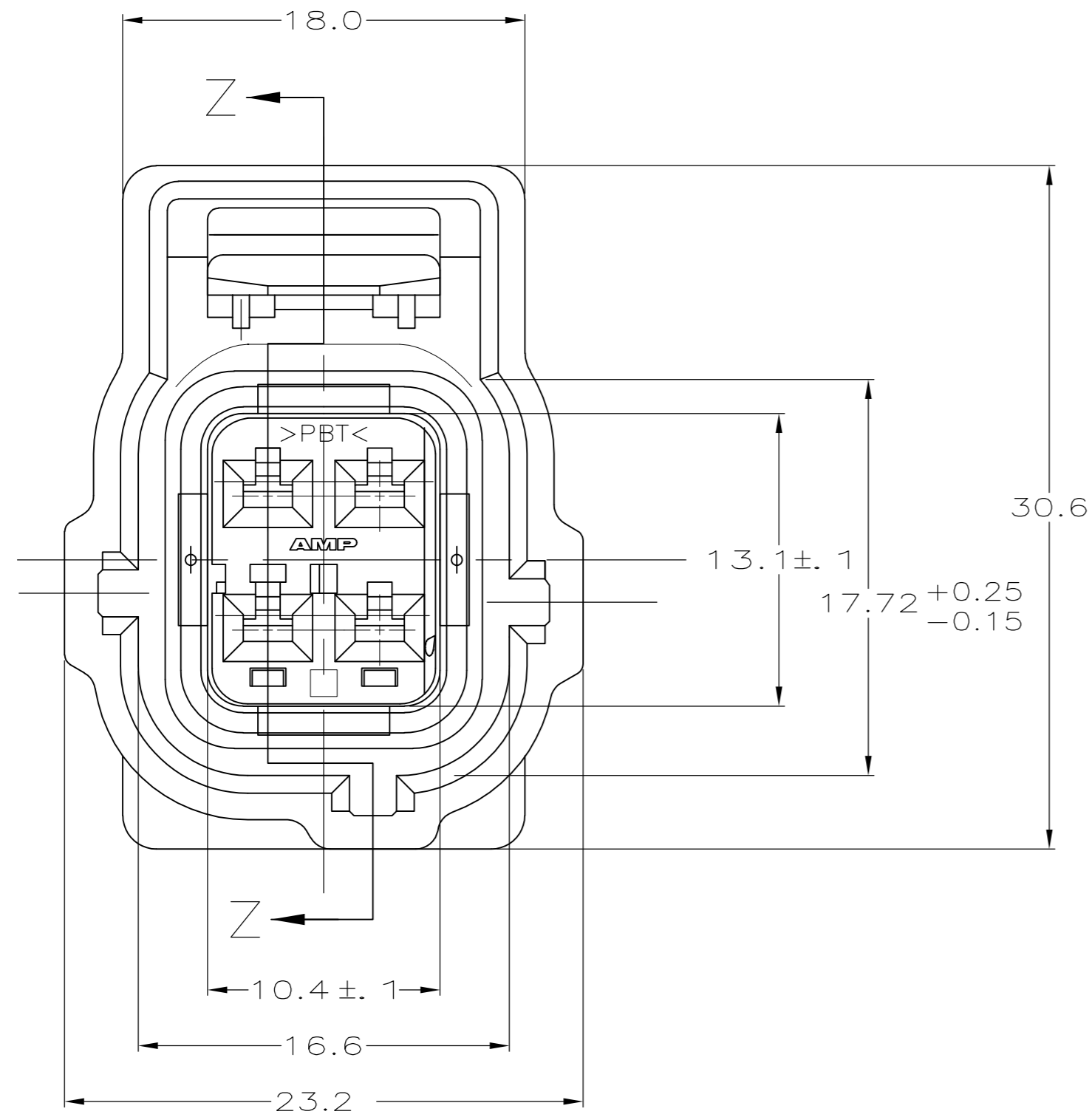


THIS DRAWING IS UNPUBLISHED. RELEASED FOR PUBLICATION  
 © COPYRIGHT BY TYCO ELECTRONICS CORPORATION. ALL INTERNATIONAL RIGHTS RESERVED.

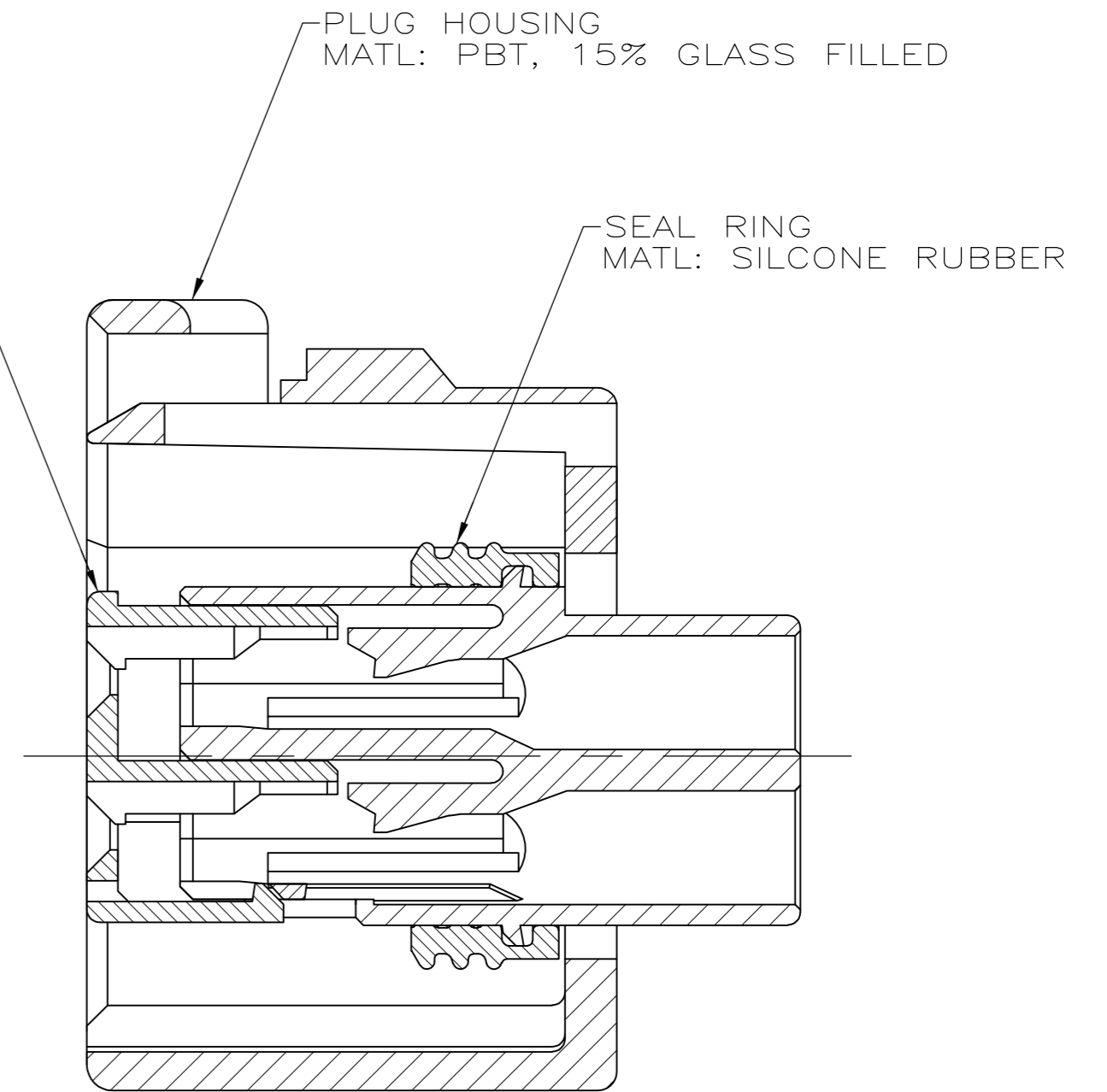
LOC	DIST	REVISIONS			
P	LTR	DESCRIPTION	DATE	DWN	APVD
GE	19				
B		REVISED PER ECO-09-008507	09APR2009	DD	MB



VIEW B-B



DBL LOCK PLATE  
 MATL: PBT,  
 15% GLASS FILLED



SECTION Z-Z  
 SCALE 4:1

GRAY	184401-2
NATURAL	184401-1
PLUG COLOR	PART NUMBER

THIS DRAWING IS A CONTROLLED DOCUMENT.		DWN	AJ GRAFF	01AUG01	Tyco Electronics Corporation Harrisburg, PA 17105-3608
DIMENSIONS: mm		CHK	K COBLE	01AUG01	
TOLERANCES UNLESS OTHERWISE SPECIFIED:		APVD	K COBLE	01AUG01	
0 PLC ± - 1 PLC ± 0.3 2 PLC ± 0.15 3 PLC ± - 4 PLC ± - ANGLES ± - FINISH -		PRODUCT SPEC	NAME		
MATERIAL		APPLICATION SPEC	2 X 2 PLG ASY KEY H-C3		
		WEIGHT	-	SIZE	RESTRICTED TO
		CUSTOMER DRAWING		A2 00779	-
		SCALE	4:1	DRAWING NO	C=184401
		SHEET	1 of 1	CAGE CODE	REV
		REV	B		

单击下面可查看定价，库存，交付和生命周期等信息

[>>TE Connectivity\(泰科\)](#)