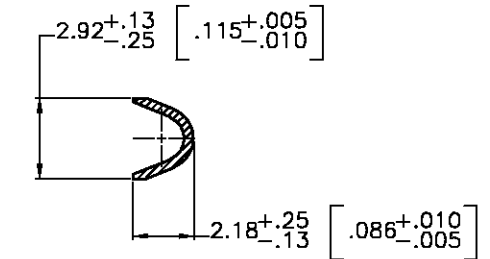
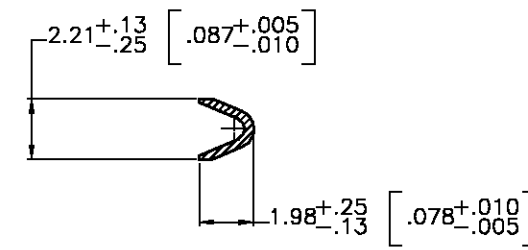
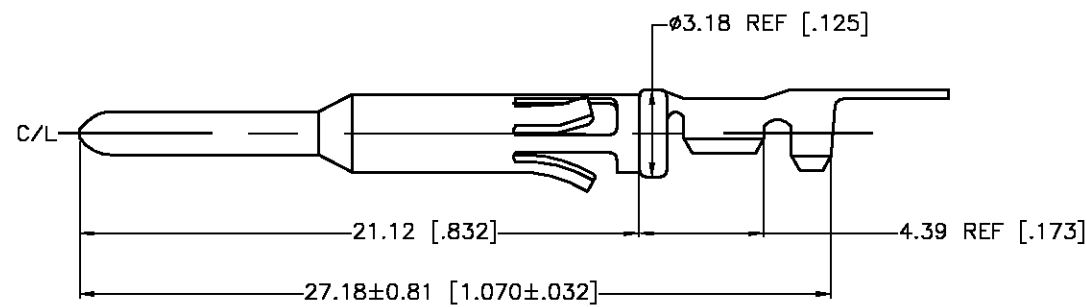
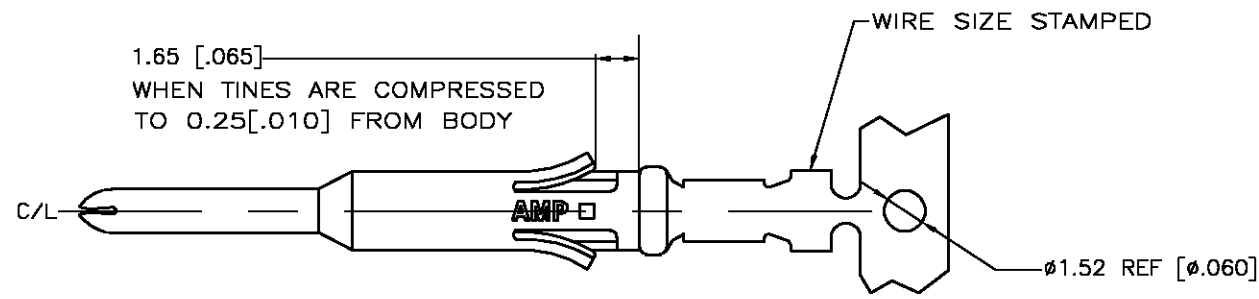


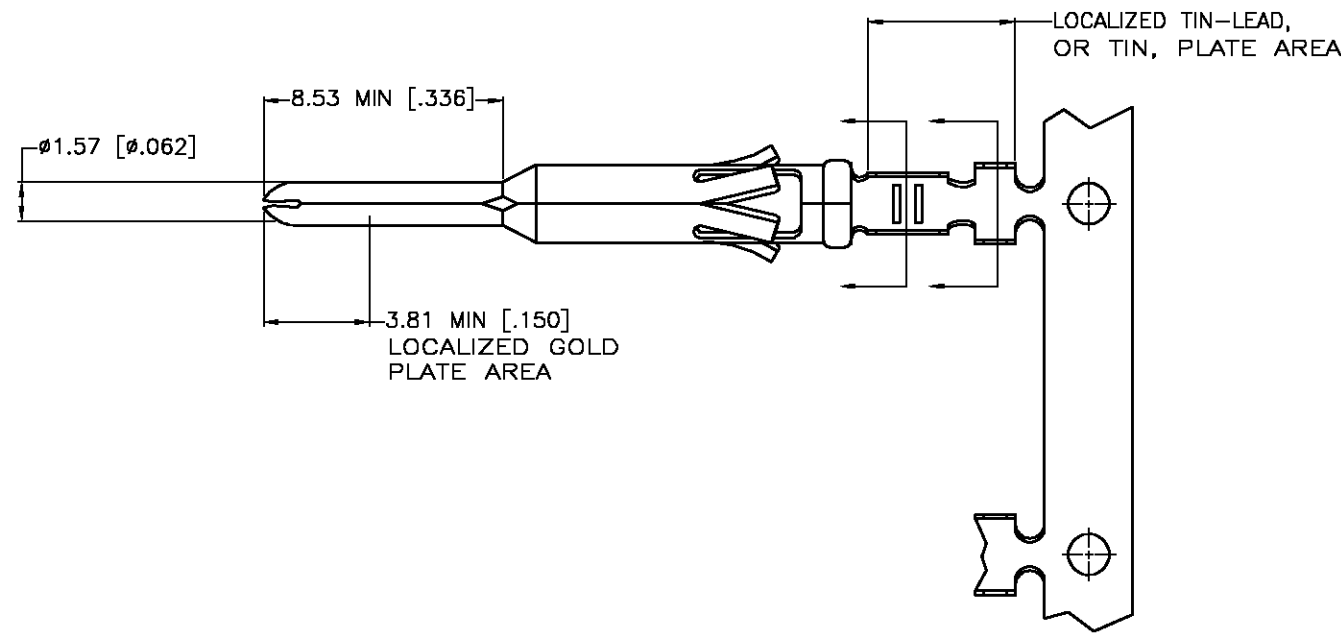
THIS DRAWING IS UNPUBLISHED. RELEASED FOR PUBLICATION
 © COPYRIGHT BY TYCO ELECTRONICS CORPORATION. ALL RIGHTS RESERVED.

LOC	DIST	REVISIONS			
P	LTR	DESCRIPTION	DATE	DWN	APVD
FT	0	G	REV PER EC 0G3B-0963-03	12/11/03	SS GS



SECTION B-B

SECTION A-A



REVERSE REELED FOR MINI-APPLICATOR		1-66583-0
REVERSE REELED FOR MINI-APPLICATOR		66583-4
REVERSE REELED FOR MINI-APPLICATOR		66583-3
REVERSE REELED FOR MINI-APPLICATOR		66583-2
REVERSE REELED FOR MINI-APPLICATOR		66583-1
DESCRIPTION	FINISH	

- WIRE RANGE 24-20 AWG.
 - INSULATION RANGE 1.02-2.03 [.040-.080] DIA.
 - FOR LOOSE PIECE PART SEE DWG 66593.
- 0.76 μm [.000030] MIN GOLD IN LOCALIZED GOLD PLATE AREA, 1.27 μm [.000050] MIN TIN-LEAD IN LOCALIZED TIN-LEAD PLATE AREA, BOTH OVER 1.27 μm [.000050] MIN NICKEL.
 - TIN PLATED.
 - GOLD PLATING PER MIL-G-45204, TIN PER MIL-T-10727 AND NICKEL PER QQ-N-290.
 - 0.76 μm [.000030] MIN GOLD IN LOCALIZED GOLD PLATE AREA, 1.27 μm [.000050] MIN TIN IN LOCALIZED TIN PLATE AREA, BOTH OVER 1.27 μm [.000050] MIN NICKEL.

THIS DRAWING IS A CONTROLLED DOCUMENT.		DWN V. FURLER 16MAY2003	tyco Electronics		Tyco Electronics Corporation Harrisburg, PA 17105													
DIMENSIONS: MM [INCHES]		CHK G. STEINHAUER 16MAY03	NAME G. STEINHAUER 16MAY03															
TOLERANCES UNLESS OTHERWISE SPECIFIED:		PRODUCT SPEC -																
<table border="0"> <tr><td>0 PLC</td><td>± -</td></tr> <tr><td>1 PLC</td><td>± -</td></tr> <tr><td>2 PLC</td><td>± 0.13 [.005]</td></tr> <tr><td>3 PLC</td><td>± -</td></tr> <tr><td>4 PLC</td><td>± -</td></tr> <tr><td>ANGLES</td><td>± -</td></tr> </table>		0 PLC	± -	1 PLC	± -	2 PLC	± 0.13 [.005]	3 PLC	± -	4 PLC	± -	ANGLES	± -	APPLICATION SPEC -				
0 PLC	± -																	
1 PLC	± -																	
2 PLC	± 0.13 [.005]																	
3 PLC	± -																	
4 PLC	± -																	
ANGLES	± -																	
MATERIAL BRASS MIL-C-50		FINISH SEE TABLE		SIZE A3														
		WEIGHT -		CAGE CODE 00779		DRAWING NO C-66583												
CUSTOMER DRAWING				RESTRICTED TO -		SCALE NTS												
				SHEET 1 OF 1		REV G												

单击下面可查看定价，库存，交付和生命周期等信息

[>>TE Connectivity\(泰科\)](#)