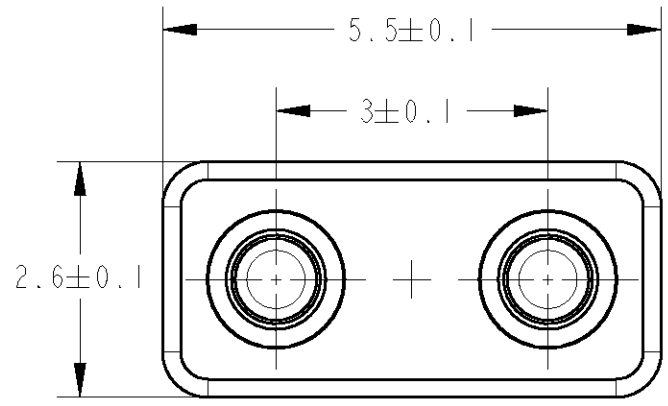
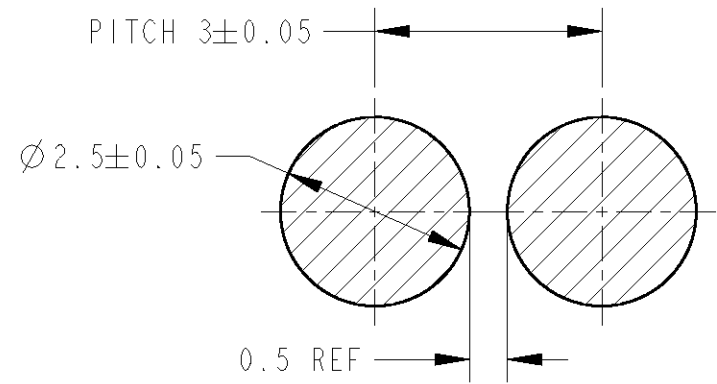


THIS DRAWING IS UNPUBLISHED. RELEASED FOR PUBLICATION 2004MAR
 © COPYRIGHT 2004 BY TYCO ELECTRONICS CORPORATION. ALL RIGHTS RESERVED.

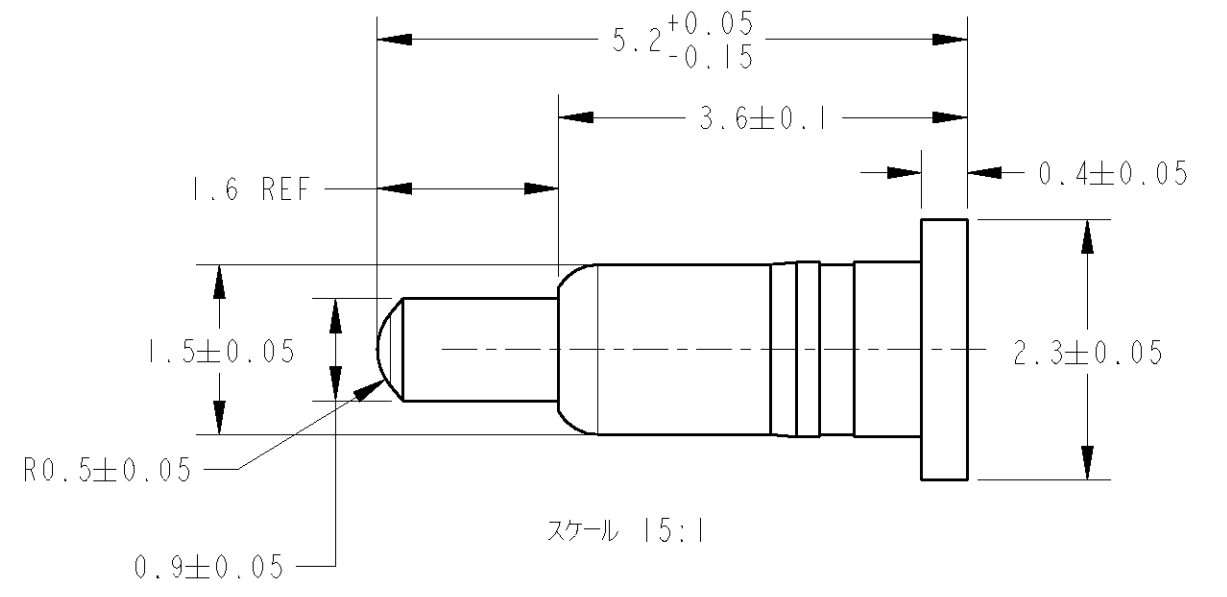
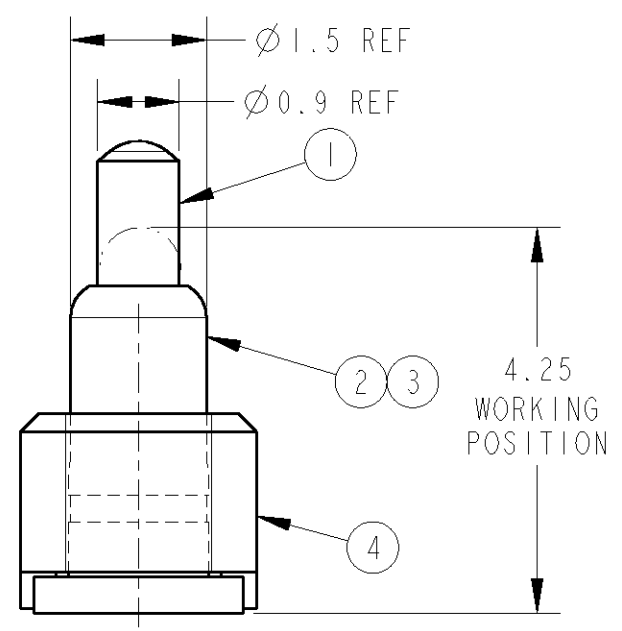
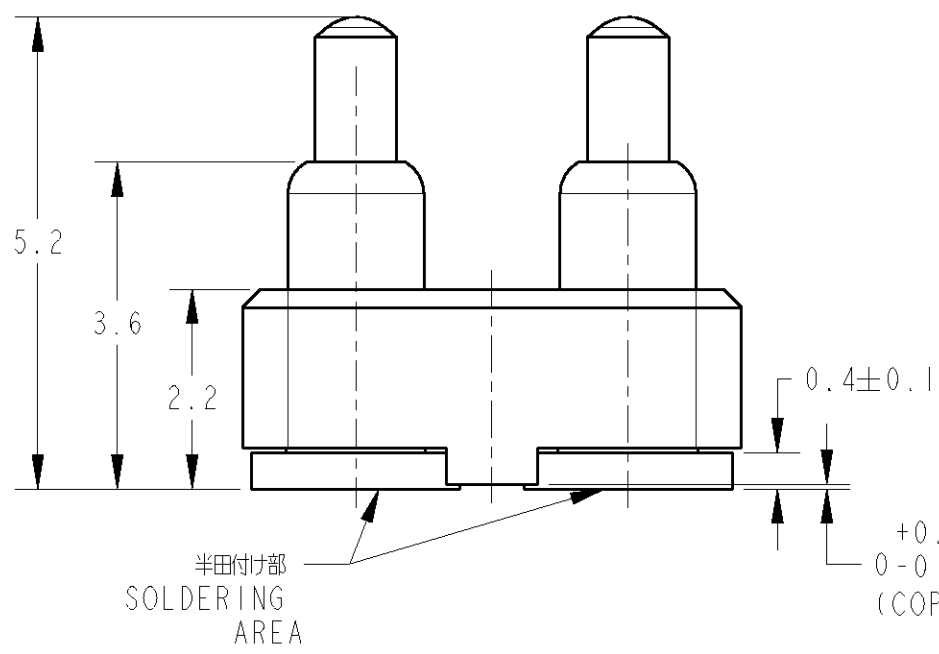
LOC	DIST	REVISIONS					
		P	LTR	DESCRIPTION	DATE	DWN	APVD
J	-		A	RELEASED	25DEC07	Y.H	Y.N



参考基板パターン寸法
 REFERENCE
 DIMENSION OF PATTERN

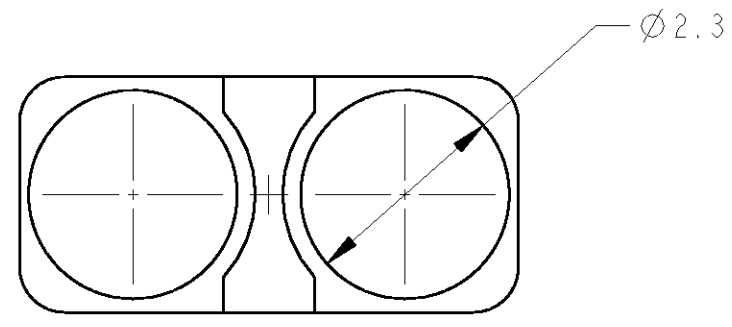
PROBE PIN ASSY	(2)	—	—	—
① CONTACT PIN	2	BRASS	Ni: 3~4µm Au: 0.5µmMIN	—
② TUBE	2	BRASS	Ni: 1.4~3.0µm Au: 0.1~0.4µm	—
③ SPRING	2	SWP	Ni: 1~2µm Au: 0.1µmMIN	—
④ HOUSING	1	NYLON	—	UL94V-0 BLACK
COMPONENT ITEM	QTY	MATERIAL	FINISH	—

- 1; 本図
 - 1; AS SHOWN



スケール 15:1

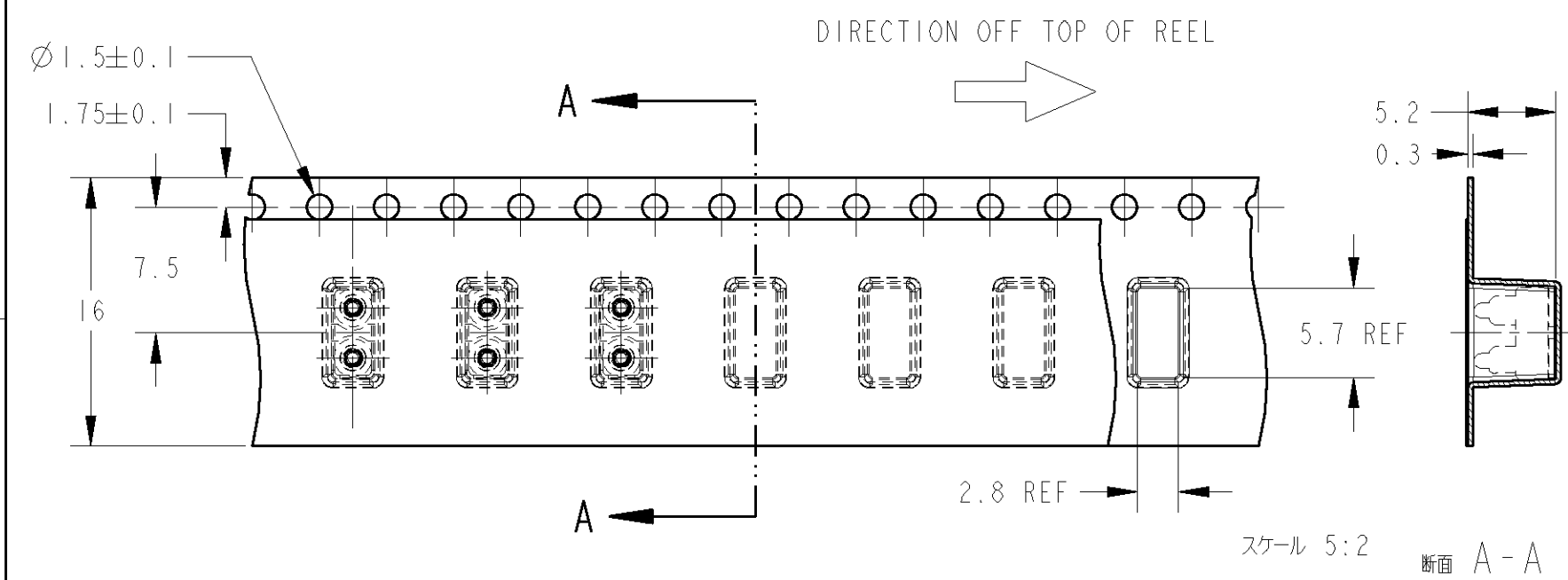
1 1000EA/REEL
 2. CONTACT FORCE 1.0±0.2N / 0.9mm



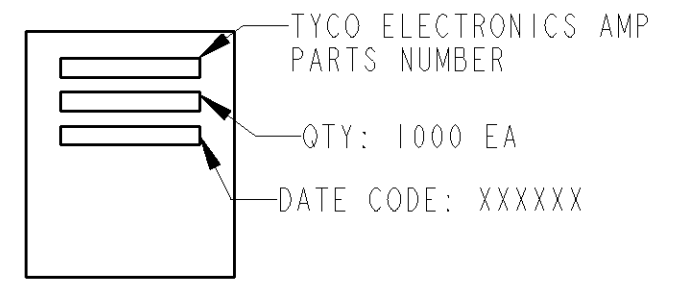
THIS DRAWING IS A CONTROLLED DOCUMENT FOR TYCO ELECTRONICS CORPORATION IT IS SUBJECT TO CHANGE AND THE CONTROLLING ENGINEERING ORGANIZATION SHOULD BE CONTACTED FOR THE LATEST REVISION.		DWN Y. HARADA 25DEC2007	Tyco Electronics Corporations Kawasaki, Japan	
DIMENSIONS: 単位: 概 mm		CHK C. OHASHI 25DEC2007		
TOLERANCES UNLESS OTHERWISE SPECIFIED:		APVD Y. NAKAZAWA 25DEC2007	NAME 名称 SPRING PROBE CONNECTOR 2POS SMT SPEAKER	
一般公差 ±0.1		PRODUCT SPEC 108-5989	SIZE A3 CAGE CODE 00779 DRAWING NO 1871540 RESTRICTED TO -	
0-PLC ±		APPLICATION SPEC	SCALE 12:1 SHEET 1 OF 2 REV A	
1-PLC ±0.5		取付適用規格	CUSTOMER DRAWING	
2-PLC ±0.13		WEIGHT 0.04g		
3-PLC ±0.013				
4-PLC ±0.0001				
ANGLES ±3				
MATERIAL 材料 SEE TABLE	FINISH 仕上 SEE TABLE			

THIS DRAWING IS UNPUBLISHED. RELEASED FOR PUBLICATION 2004MAR
 © COPYRIGHT 2004 BY TYCO ELECTRONICS CORPORATION. ALL RIGHTS RESERVED.

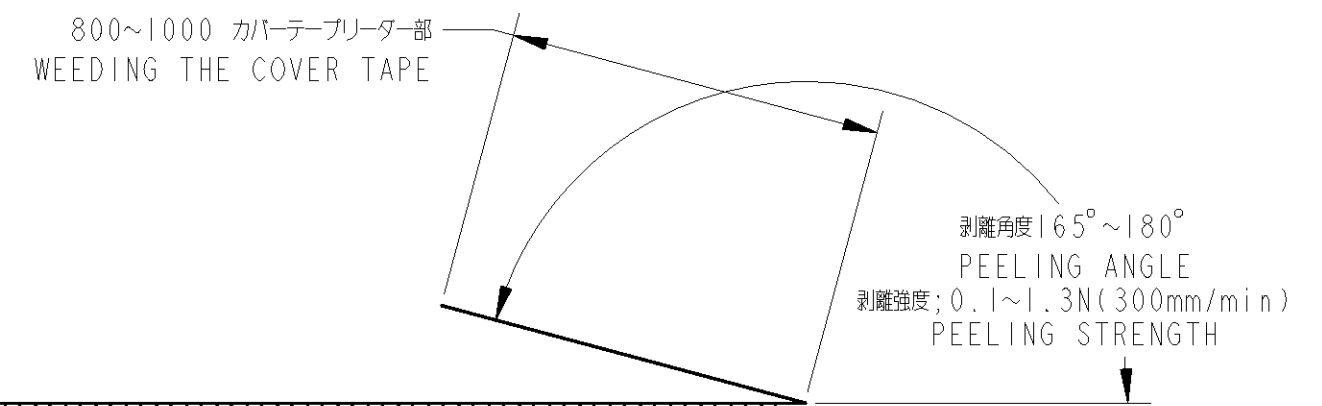
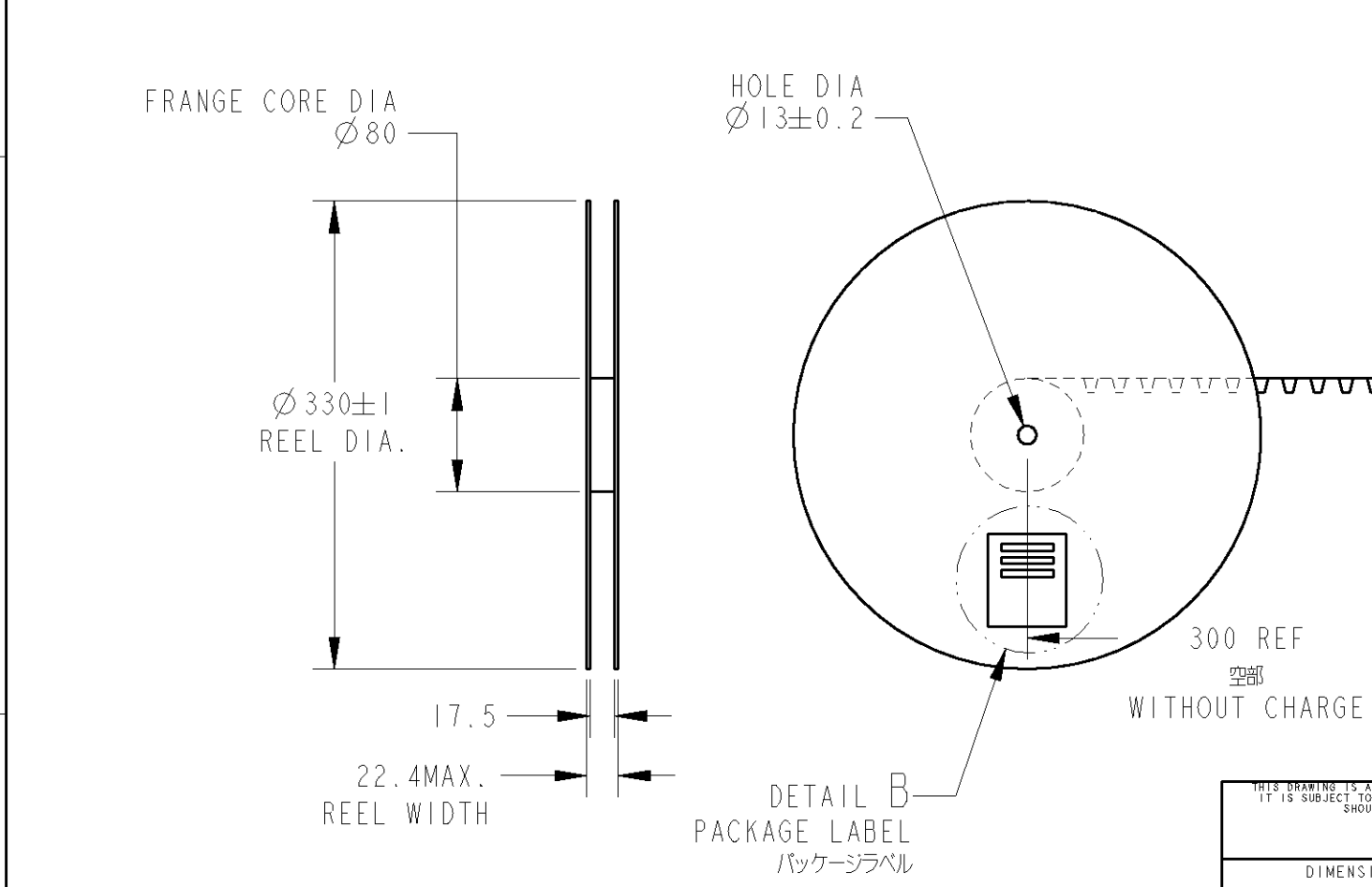
LOC	DIST	REVISIONS				
P	LTR	DESCRIPTION	DATE	DWN	APVD	
J	-	-	SEE SHEET 1	-	-	



- | ; AS SHOWN
 - | ; 本図



DETAIL B
 PACKAGE LABEL
 BASED ON EIAJ-C3
 パッケージラベル
 EIAJ-C3に準拠



空部 50~70穴
 WITHOUT CHARGE
 50~70 HOLES
 (400~560mm)

DETAIL B
 PACKAGE LABEL
 パッケージラベル

THIS DRAWING IS A CONTROLLED DOCUMENT FOR TYCO ELECTRONICS CORPORATION IT IS SUBJECT TO CHANGE AND THE CONTROLLING ENGINEERING ORGANIZATION SHOULD BE CONTACTED FOR THE LATEST REVISION.		DWN Y. HARADA 25DEC2007	 Tyco Electronics Corporations Kawasaki, Japan
DIMENSIONS: mm		CHK C. OHASHI 25DEC2007	
TOLERANCES UNLESS OTHERWISE SPECIFIED: ± 0.15		APVD Y. NAKAZAWA 25DEC2007	
0-PLC \pm 1-PLC ± 0.5 2-PLC ± 0.13 3-PLC ± 0.013 4-PLC ± 0.0001 ANGLES ± 3		PRODUCT SPEC 108-5989	NAME SPRING PROBE CONNECTOR 2POS SMT SPEAKER
MATERIAL SEE TABLE	FINISH SEE TABLE	APPLICATION SPEC -	SIZE A3
		WEIGHT 0.04g	CAGE CODE 00779
		CUSTOMER DRAWING	DRAWING NO. 1871540
		SCALE 12:1	RESTRICTED TO -
		SHEET 2 OF 2	REV A

单击下面可查看定价，库存，交付和生命周期等信息

[>>TE Connectivity\(泰科\)](#)