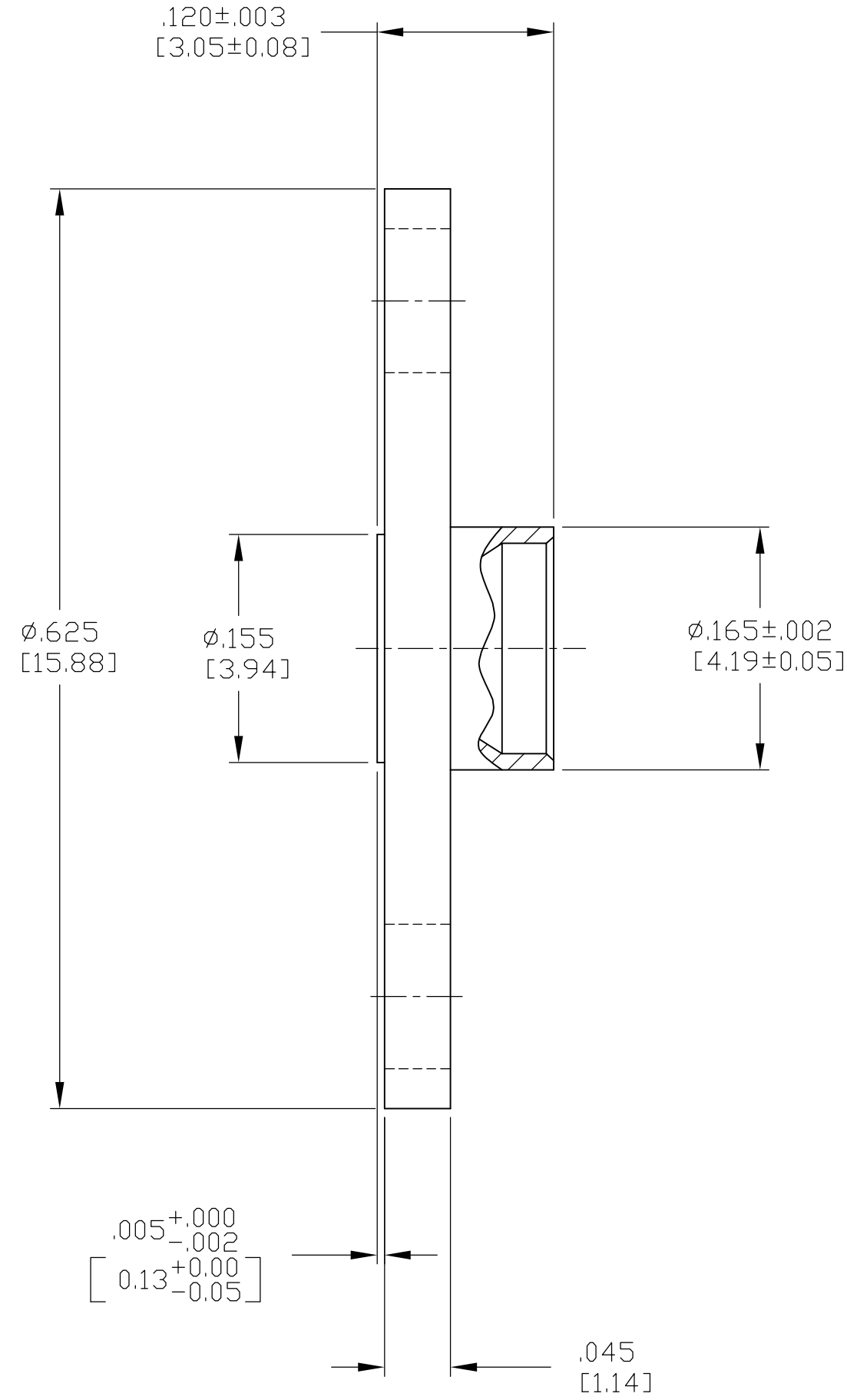
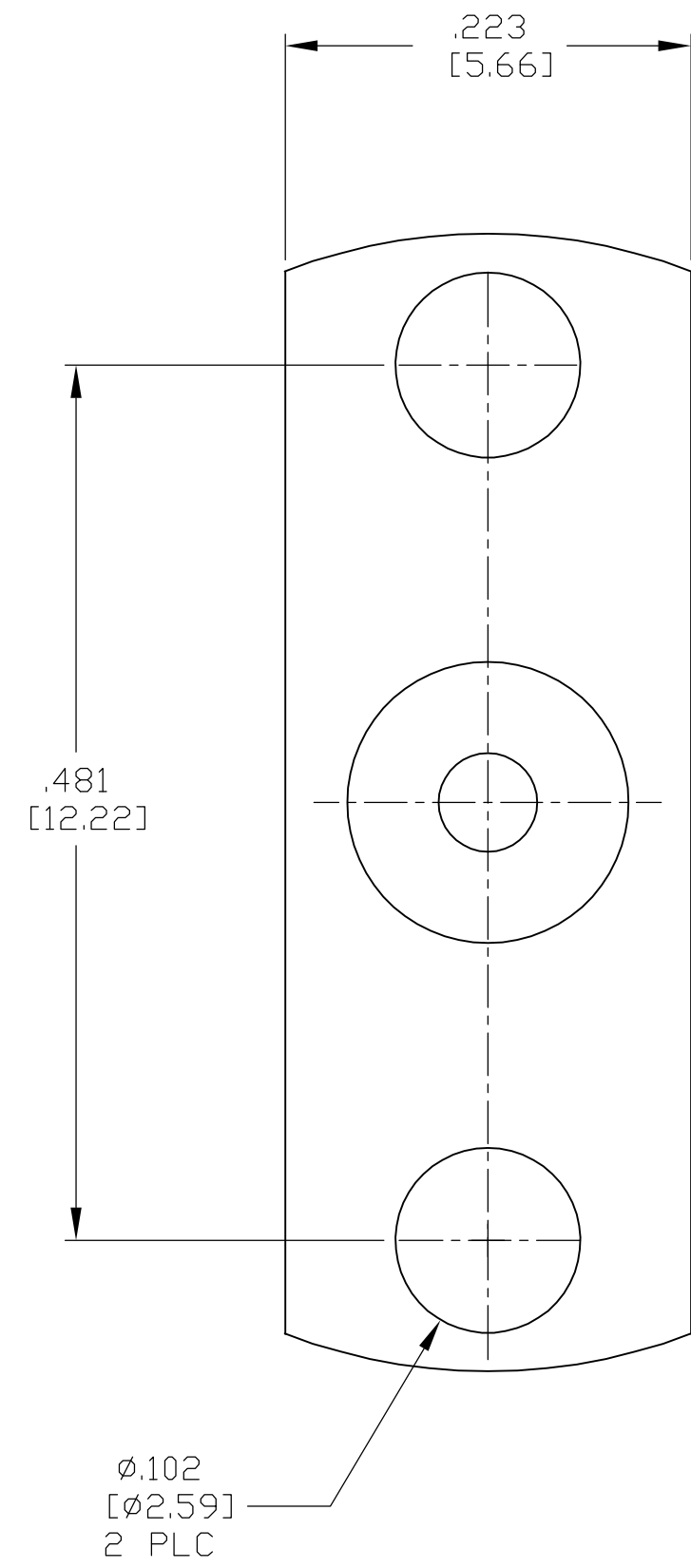


THIS DRAWING IS UNPUBLISHED. RELEASED FOR PUBLICATION
 © COPYRIGHT BY TYCO ELECTRONICS CORPORATION. ALL RIGHTS RESERVED.

LOC	DIST	REVISIONS					
DF	X0	P	LTR	DESCRIPTION	DATE	DWN	APVD
		C		REV PER ECO 05-12611	24OCT05	BM	CT

- 1 STAINLESS STEEL PER ASTM-A-582
- 2 PASSIVATION PER AMS QQ-P-35
- 3. SMP INTERFACE PER MIL-STD-348A, FIGURE 326-2
- 4. DSCC REFERENCE PART NUMBER: 94007ZSP-4
- 5. SEE INSTRUCTION SHEET 408-4752



2	1	1056741-1
FINISH	MATERIAL	PART NO.

THIS DRAWING IS A CONTROLLED DOCUMENT.		DWN	B. MOYER	24OCT05	Tyco Electronics Corporation Harrisburg, PA 17105-3608
DIMENSIONS: INCHES		CHK	C THOMAS	24OCT05	
TOLERANCES UNLESS OTHERWISE SPECIFIED:		APVD	B MOYER	24OCT05	
0 PLC ± - 1 PLC ± - 2 PLC ± - 3 PLC ± .005 [0.13] 4 PLC ± - ANGLES ± 1°		PRODUCT SPEC	NAME		
MATERIAL SEE TABLE		FINISH	SEE TABLE		APPLICATION SPEC
		WEIGHT	-		SIZE
		CUSTOMER DRAWING		SCALE	10:1
				SHEET	1 of 1
				REV	C
				DRAWING NO.	A2 00779 C=1056741
				RESTRICTED TO	-

单击下面可查看定价，库存，交付和生命周期等信息

[>>TE Connectivity\(泰科\)](#)